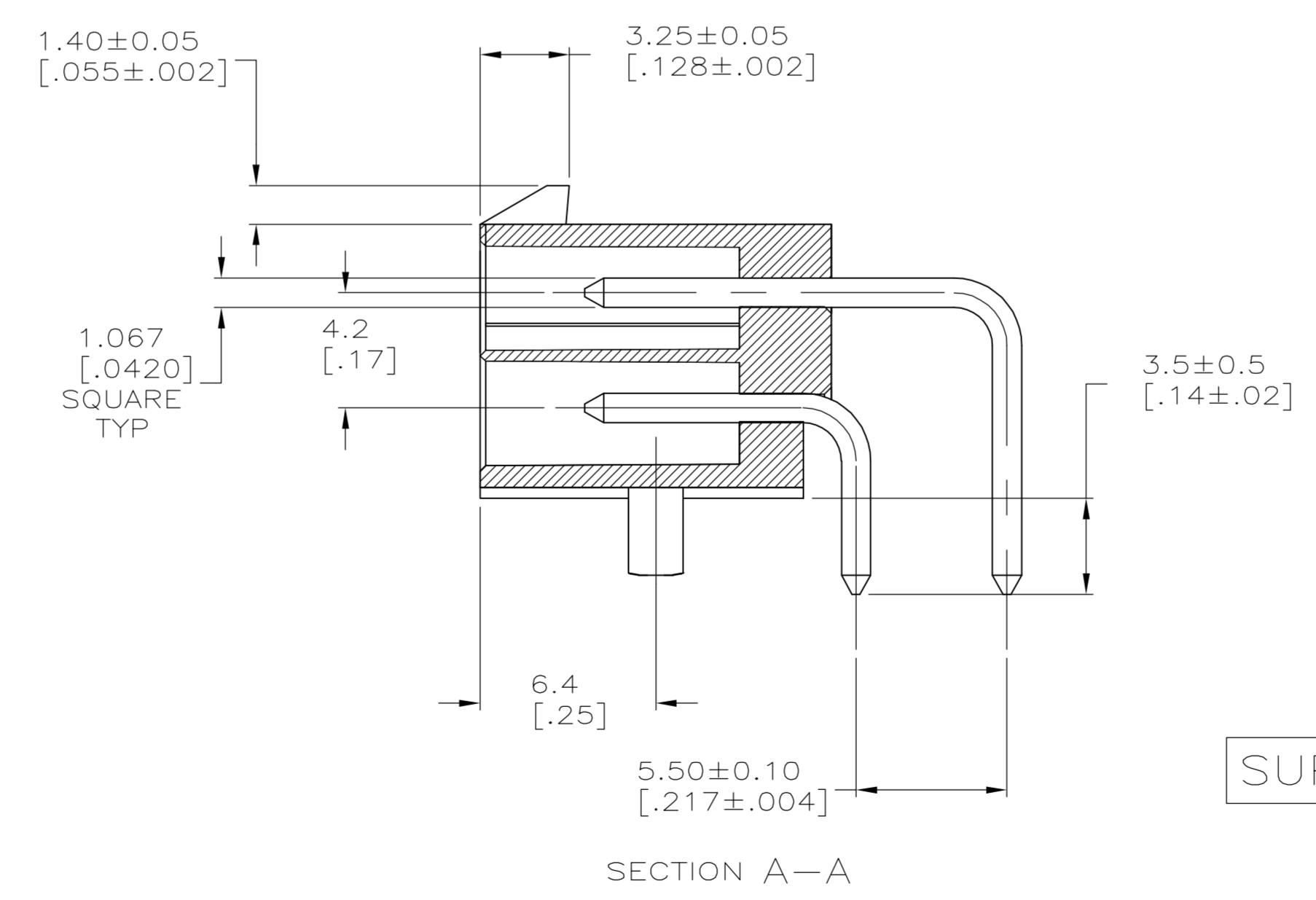
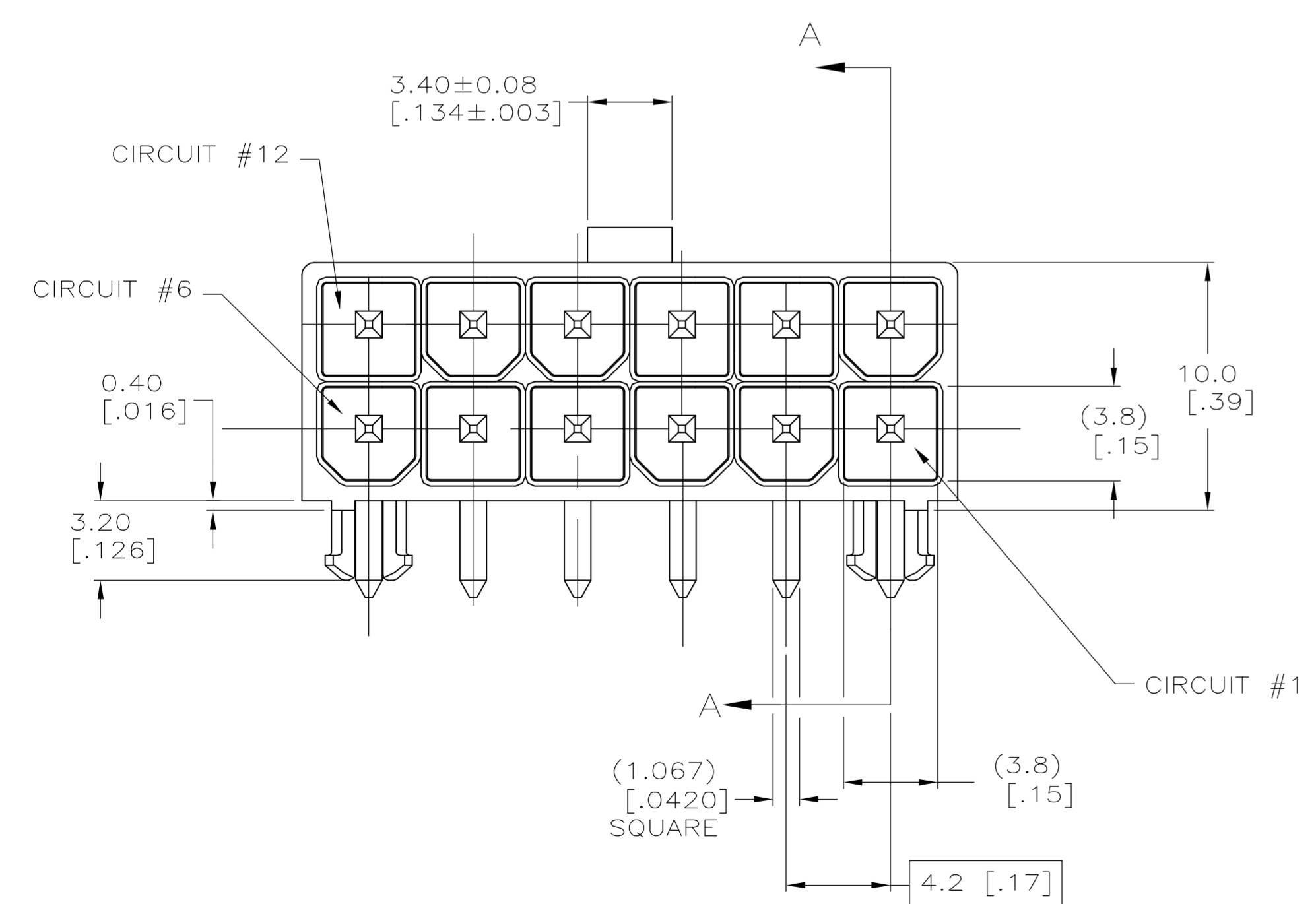
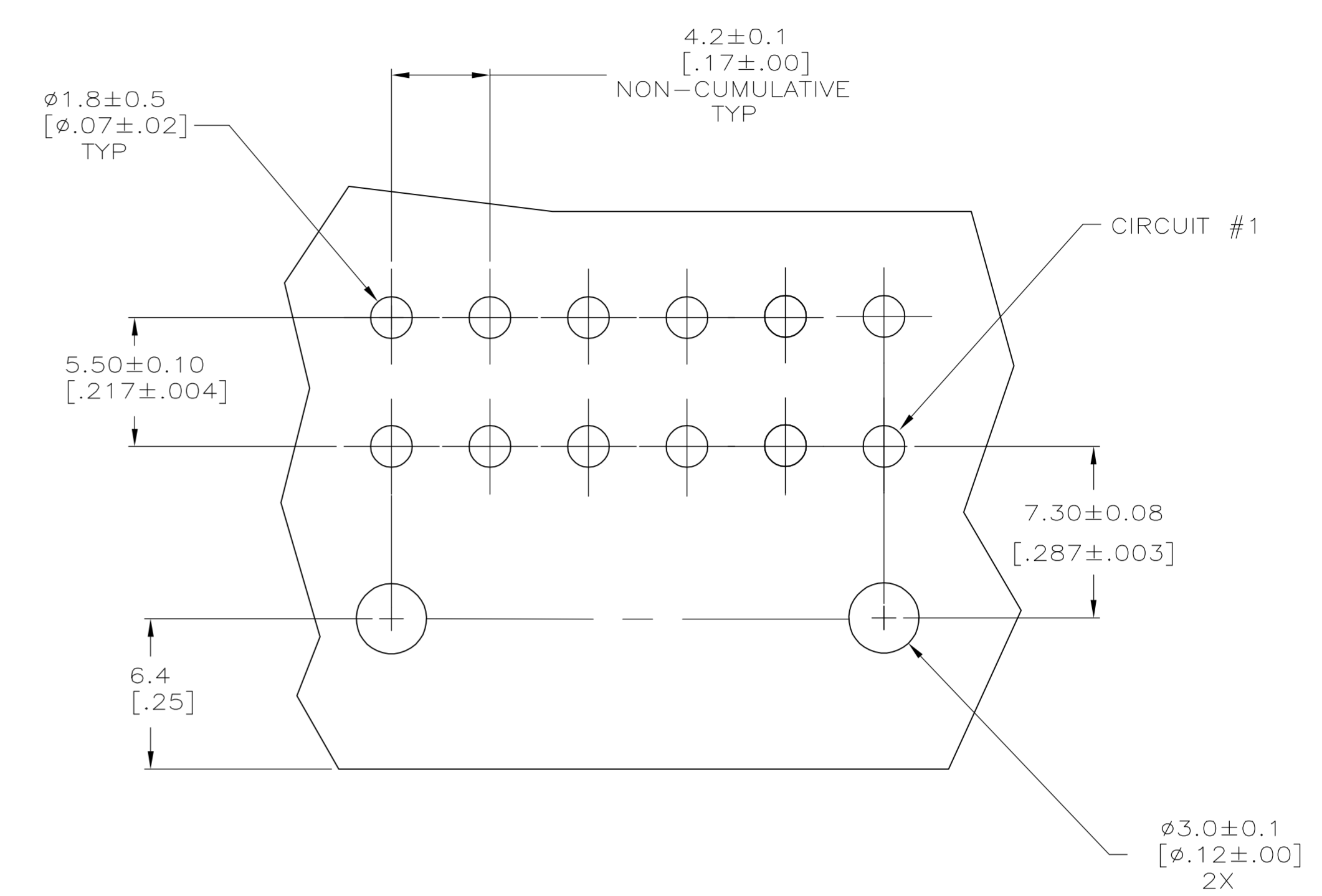
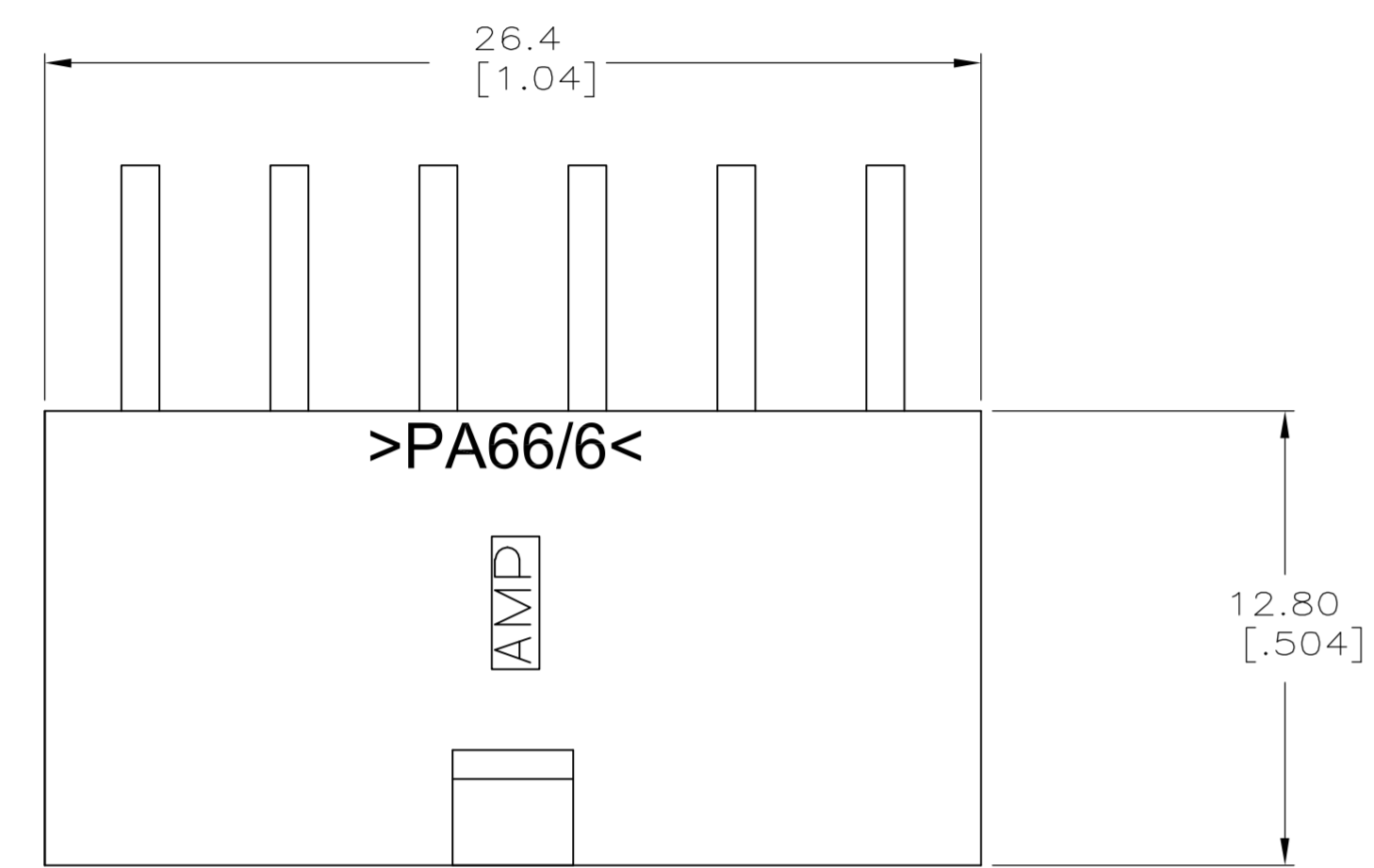


- 1 MATERIAL: HOUSING - NYLON, UL94V-0 (COLOR - WHITE).
PIN - 1.067mm² [.0017in²] COPPER ALLOY.
- 2 PINS TO COMPLY WITH SOLDERABILITY SPEC 109-11-3.
- 3 0.00381 [.000150] MINIMUM TIN LEAD OVER 0.00127 [.000050] MINIMUM NICKEL, ENTIRE LENGTH OF PIN.
- 4 NOTE DELETED.
- 5 0.00381 [.000150] MINIMUM TIN OVER 0.00127 [.000050] MINIMUM NICKEL, ENTIRE LENGTH OF PIN.



SUPERSEDED BY 1-794531-1

1	5	1	1	1-794531-1
1	3	1	1	794531-1
MATERIAL		FINISH		ASSEMBLY
PIN		HOUSING		

METRIC

THIS DRAWING IS A CONTROLLED DOCUMENT.

DIMENSIONS:	TOLERANCES UNLESS OTHERWISE SPECIFIED:	DWN S. HOOVER 02-MAR-2005	Tyco Electronics Corporation Harrisburg, Pa 17105-3608
mm [INCHES]	0 PLC ± 0.2 [0.1] 1 PLC ± 0.13 [0.05] 2 PLC ± 0.13 [0.05] 3 PLC ± 0.13 [0.05] 4 PLC ± 0.13 [0.05] ANGLES ± 0° 30'	CHK D. COLEY 02-MAR-2005	
MATERIAL SEE CHART	FINISH SEE CHART	APVD D. COLEY 02-MAR-2005	NAME
		PRODUCT SPEC	ASSEMBLY, HEADER, RIGHT ANGLE, 12 POSITION, W/PEGS, 94V-0, AMP-DUAC(TM) POWER CONNECTOR
		APPLICATION SPEC	108-1646
		SIZE CASE CODE DRAWING NO	114-6067
		RESTRICTED TO	
		WEIGHT	A1 00779 ©=794531
		CUSTOMER DRAWING	SCALE 5:1 SHEET 1 OF 1 REV D