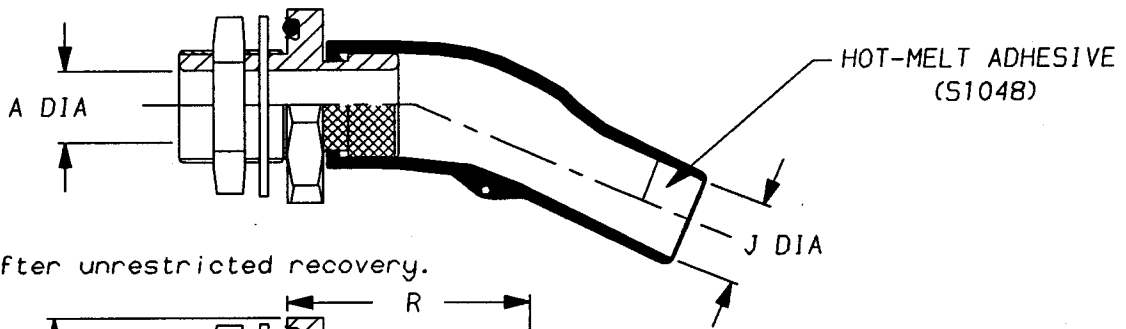
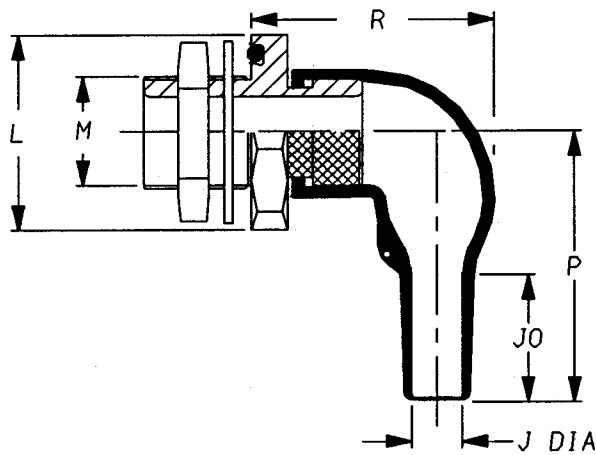


TCFS-\*\*-\*\*\*-0\*\*-25BW

a) Part as supplied.



b) Part after unrestricted recovery.



KITS TO INCLUDE CLEANING TISSUE, 1 PIECE 100 GRIT EMERY CLOTH.  
KIT TO BE USED IN CONJUNCTION WITH TCFS INSTALLATION PROCEDURE.

Dimensions (in millimetres)

PART No.	A min	J min a	J max b	M THREAD	A/F Nut	L NOM	P ±10% b	R ±10% b	J0 Ref b
TCFS-12	7.4	7	5.7	M12 x 1.5	17	24	25	30	9
TCFS-16	10.1	11	6.0	M16 x 1.5	22	29	32	32	9
TCFS-20	14.1	15	7.2	M20 x 1.5	27	34	39	36	15
TCFS-24	19.1	21	8.5	M24 x 1.5	30	38	46	43	16
TCFS-30	24.1	25	10.0	M30 x 1.5	36	47	55	50	17
TCFS-36	30.1	31	15.8	M36 x 1.5	41	52	80	59	32
TCFS-48	40.1	41	16.9	M48 x 1.5	55	67	108	73	48

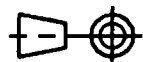
Copyright (!)

The copyright in this drawing is the property of Tyco Electronics UK Ltd. The drawing is issued on the condition that it is not copied, reproduced or disclosed to a third party, either in whole or in part without the prior written consent of Tyco Electronics UK Ltd.

Drawn A.LILLEY. Checked *[Signature]* Issue 1 Date April 2002

Conforms to 150 Recommendations  
3rd Angle Projection  
Not to Scale

Approval Design *[Signature]* MKTG. *[Signature]* Q.A. *[Signature]*



<b>Raychem</b>		<b>Specification Control Drawing</b>	Part Number TCFS-**-***-0**-25BW Issue 1
Details of Revisions			
Iss.	Date	E.C.R. No.	Details of Change

Materials		
Component	Description	Colour
Moulded part	(-25) Diesel Resistant Elastomer	Black

<u>Part Numbering System.</u>
<p>TCFS-**-***-0**-25BW</p> <p>THREAD LENGTH (20mm standard) (±5mm increments)</p> <p>FEEDTHROUGH MATERIAL/FINISH 19B Aluminium alloy plated cadmium olive drab over electroless nickel 19C Aluminium alloy plated electroless nickel 62C Stainless steel plated electroless nickel</p> <p>FEEDTHROUGH SIZE</p>

Tyco electronics UK Ltd. Faraday Road, Swindon, Wiltshire, SN3 5HH England Telephone: (01793) 528171 Fax: 572516	Tyco electronics Corporation 300, Constitution Drive, Menlo Park, CA 94025 USA Telephone (650) 361-3860 Fax: (650) 361-5579
Cage Code K1010	Cage Code 06090