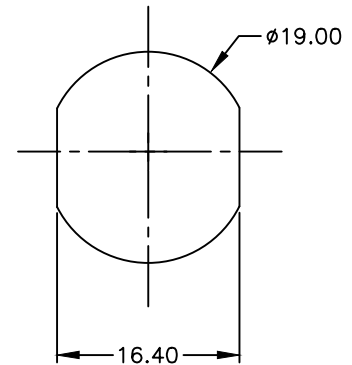


CIRCUIT: SPDT
CONTACT CONFIGURATION

SWITCH FUNCTION	
A	B
↑	→
OFF	ON

LEGEND

- =OFF POSITION
- =INDICATES KEY PULL
- × =INDICATES NO KEY PULL



RECOMMENDED PANEL CUTOUT

NOTES:

1. ALL DIMENSIONS IN MM
2. GENERAL TOLERANCE: X.X=±0.4
X.XX=±0.25
3. TERM. NOS. FOR REFERENCE ONLY.
4. RATING: 4A @125VAC, 2A @250VAC
5. CONTACT RESISTANCE: 10mILLI-OHMS
6. DIELECTRIC STRENGTH: 1500 VAC-1Minute
7. MATERIALS:
HOUSING: ZINC ALLOY DIE CAST
CYLINDER: ZINC ALLOY W/CHROME PLATING
CONTACTS: SILVER PLATED
TERMINALS: GOLD PLATED
KEYS 125 (2): BRASS W/NICKEL PLATING
DOUBLE CUT REVERSIBLE



TITLE		K0117A125				
SCALE	DATE	DR	DWG	REV		
1.5:1	2/25/03	CJB	K200116	B		

B	21933	TERMINALS TO GOLD PLATED	7/31/15	MW
A	11376	RELEASED FOR PRODUCTION	2/25/03	CJB
REV.	ECN No.	DESCRIPTION	DATE	CHKD

THE INFORMATION CONTAINED IN THIS DOCUMENT IS PROPRIETARY TO E-SWITCH AND IS NOT TO BE COPIED OR TRANSFERRED