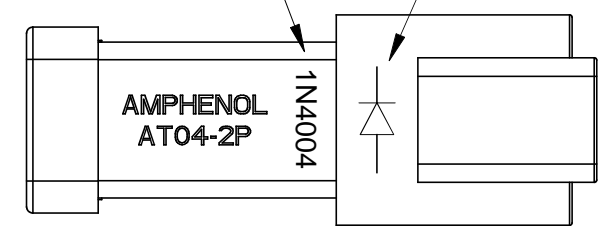


REVISIONS						
REV	ZONE	ECO	DESCRIPTION	DATE	BY	APPR
01	--	--	CONCEPTUAL	30JUL13	RFC	RFC
02	--	--	CHANGE HOUSING TO GREY	31JUL13	RFC	RFC
03	--	--	UPDATE DRAWING FORMAT	06NOV13	DRP	DRP

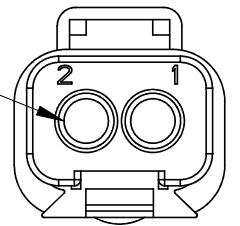
NOTES: UNLESS OTHERWISE SPECIFIED

- 1 DIMENSIONS ARE FOR REFERENCE ONLY.
- 2 PART NUMBER AT04-2P-D1N4GRY IS A FULLY ASSEMBLED CONNECTOR READY FOR USE.
- 3 CONNECTOR BODY & CAP COLOR TO BE GRAY

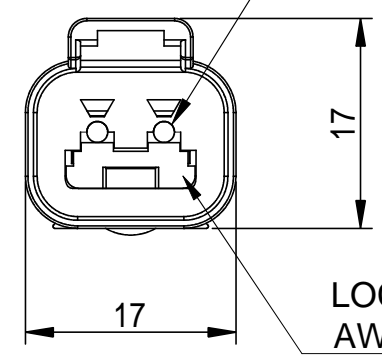
LASER MARK DIODE STYLE
 LASER MARK DIODE SYMBOL IN THE ORIENTATION SHOWN



SOLID REAR SEAL

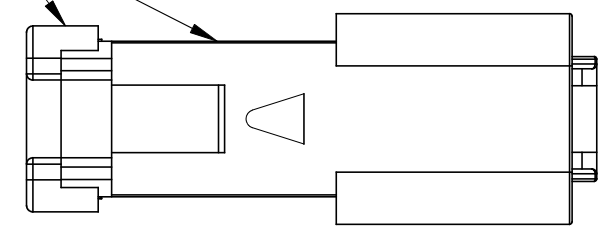


CONTACT
 AT60-202-16141
 2X

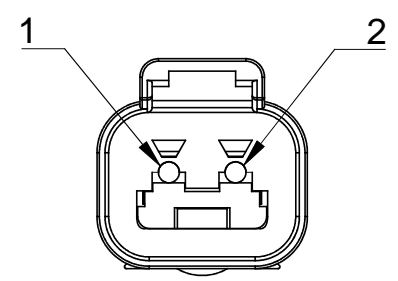
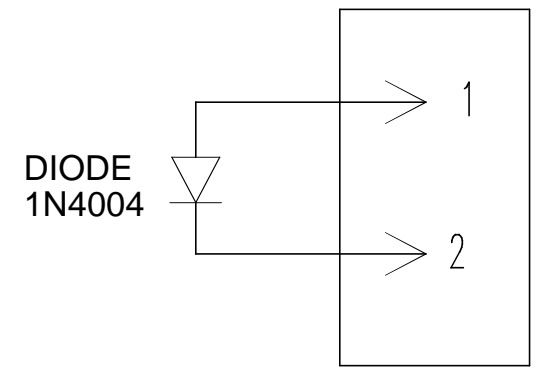


LOCKING WEDGE
 AW2P

GRAY END CAP AND CONNECTOR BODY



WIRING DIAGRAM



FACE VIEW

CUSTOMER DRAWING

ITEM	PART NUMBER	Qty	DESCRIPTION	REMARK
MATERIALS LIST				
UNLESS OTHERWISE SPECIFIED 1) All dimensions are in metric(mm). 2) Tolerances are as follows: 1 PL DEC ±0.20 2 PL DEC ±0.10 3 PL DEC ±0.05			MATERIAL SPECIFICATIONS:	SINE Systems Corporation A Subsidiary of Amphenol Corporation
SIGNATURE			PROCESS SPECIFICATIONS: IPC620-A	
DATE			THIS DRAWING IS SUPPLIED FOR INFORMATION ONLY. DESIGN FEATURES, SPECIFICATIONS AND PERFORMANCE DATA SHOWN HEREON ARE THE PROPERTY OF THE AMPHENOL CORPORATION. NO RIGHTS OF REPRODUCTION ARE IMPLIED. ALL DIMENSIONS ARE SUBJECT TO NORMAL MANUFACTURING VARIATIONS.	RECEPT, 2 WAY "AT", DIODE 1N4004 ,GRAY
DRAWN	R. CURRY	30-JUL-13		DWG NO. AT04-2P-D1N4GRY
CHECKED	R. CURRY	30-JUL-13		THIRD ANGLE PROJECTION
ENGINEER	R. CURRY	30-JUL-13		FSCM NO.
APPROVAL	R. CURRY	30-JUL-13		SIZE MASS REV. SCALE
CUSTOMER	ALL			A3 03 NONE
				SHEET 1 OF 1
				NEXT ASSY: