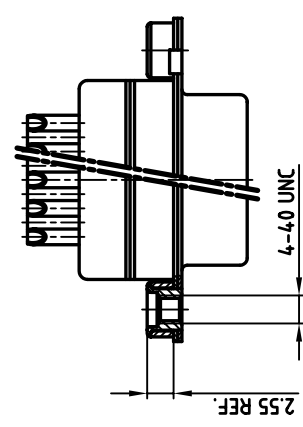
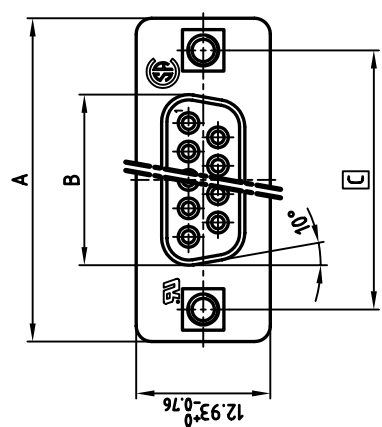
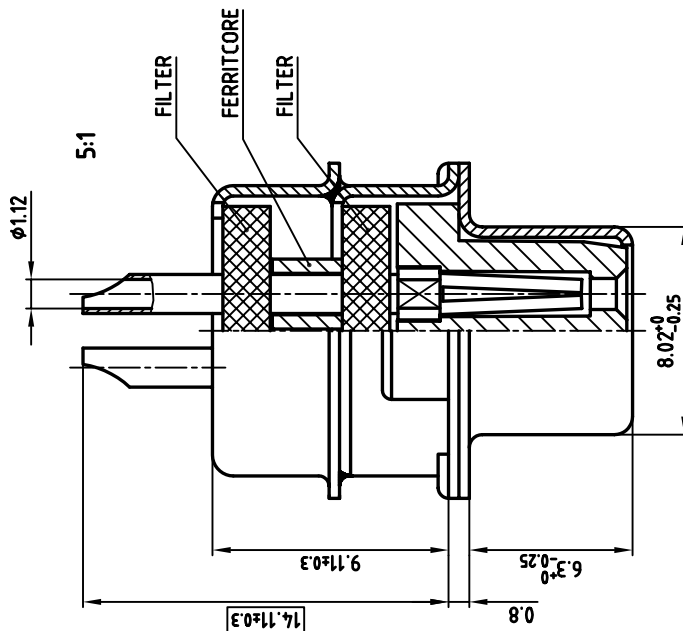


used for: D-SUB TT FILTER



NOTES:

1. METALSHELLS: STEEL; min. 320µ" TIN
2. INSULATORS: PBT GF UL 94 V-0, BLACK
3. CONTACTS: COPPER ALLOY
4. PLATING: min. .8µ" HARD GOLD OVER min. 50µ" NICKEL
SOLDER CUP ACCEPTS CABLE AWG 20
5. THREADED INSERT: COPPER ALLOY; min. 200µ" TIN over 80µ" NICKEL
6. COLLAR: COPPER ALLOY; min. 200µ" TIN over 80µ" NICKEL
7. CAPACITANCE: 2 x 830pF ±20%
8. MAXIMUM TORQUE VALUE FOR THREAD: 6" LBS
9. = CRITICAL DIMENSION: SPC

THIS DRAWING MAY NOT BE COPIED OR REPRODUCED IN ANY WAY, AND MAY NOT BE PASSED ON TO A THIRD PARTY WITHOUT WRITTEN PERMISSION.
OWNERSHIP AND COPYRIGHT OF CONEC GMBH DO NOT ALTER CAD DRAWING BY HAND

| No. of pos. | A ^{-0.76} | B ^{-0.25} | C | Part No. |
|-------------|--------------------|--------------------|---|------------|
| 9 | 31.19 | 16.46 | 25.00 ^{+0.12} _{-0.13} | 242A29220X |
| 15 | 39.52 | 24.79 | 33.30 ^{+0.15} _{-0.1} | 242A29230X |
| 25 | 53.42 | 36.50 | 47.04 ^{+0.13} | 242A29240X |
| 37 | 69.70 | 54.96 | 63.50 ^{+0.13} | 242A29250X |

| | | | |
|--|-----------------|---|-----------|
| CONEC CORPORATION BRAMPTON, ONTARIO | | tolerance | 2:1 (5:1) |
| 2000 | name | scale: | material: |
| drawn | date | SEE NOTES | |
| 13.07. | 13.07. | | |
| appl. | 14.07. | | |
| norm | A. Mickenbecker | | |
| 6-std | DIN 41652 | | |
| title: | | D-SUB TT FILTER FEMALE | |
| | | SOLDER CUP 9-37pos. with threaded insert | |
| dwg no: | | AutoCAD 2000 | |
| | | DIN-A | |
| | | 3 | |
| | | sh: 1/1 | |
| rev. description | | product no: 24K1A014A | |
| date | | SEE TABLE | |
| name | | | |



AutoCAD 2000
DIN-A
3
sh: 1/1

product no: 24K1A014A

SEE TABLE