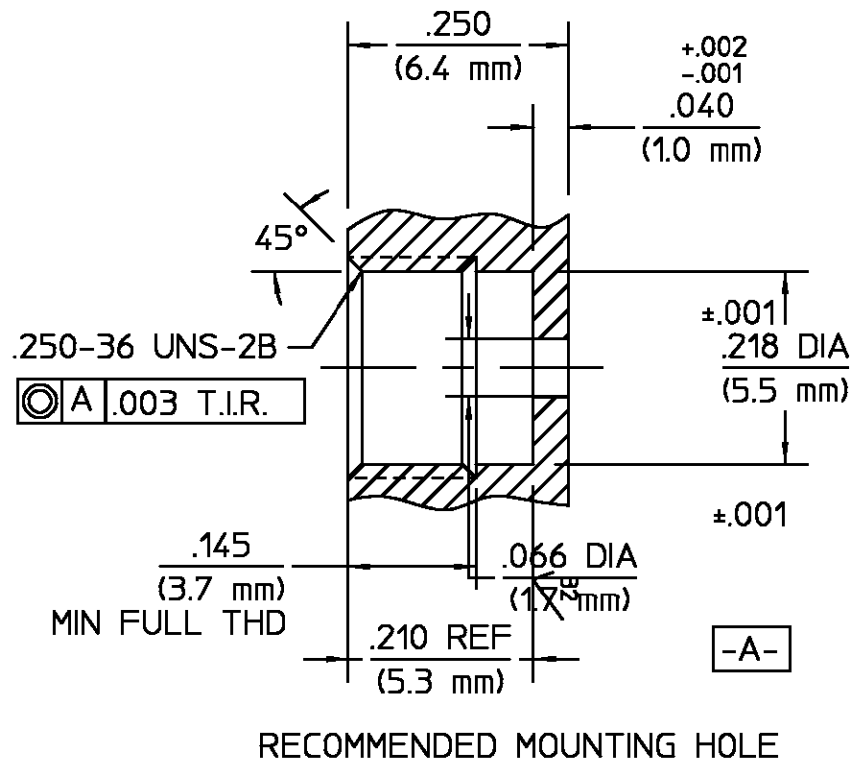
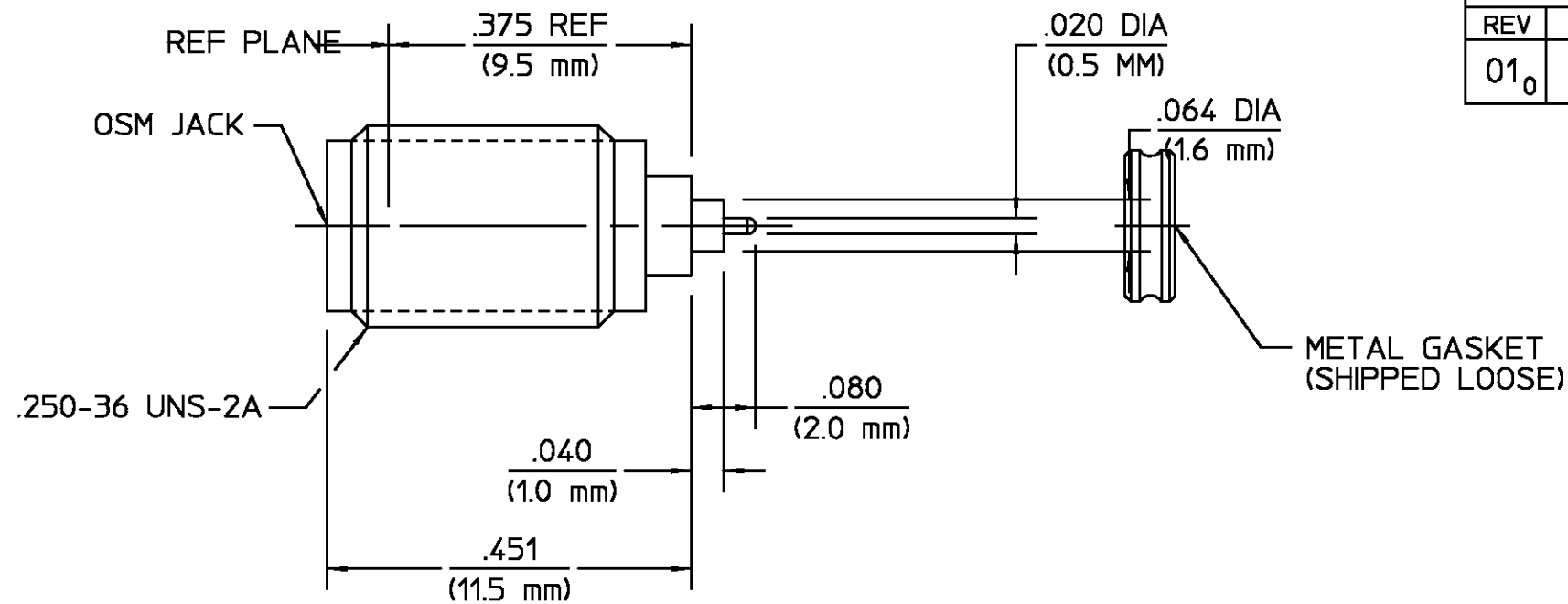


REVISIONS			
REV	DESCRIPTION	DATE	APPROVED
01 ₀	RELEASED	12/6/88	N.BRODEUR



NOTES:

1. CAPTURED CENTER CONTACT

HOUSING	STAINLESS STEEL PER ASTM-A484 AND ASTM-A582, TYPE 303	PASSIVATE PER QQ-P-35
DIELECTRIC	TFE FLUOROCARBON PER MIL-P-19468 AND FED SPEC L-P-403	N/A
CTR CONTACT	BERYLLIUM COPPER PER QQ-C-530, ALLOY 173	GOLD PLATE PER MIL-G-45204 OVER COPPER PLATE PER MIL-C-14550
CONTACT EXT	IRON-NICKEL-COBALT ALLOY PER MIL-I-23011 (KOVAR)	GOLD PLATE PER MIL-G-45204
METAL GASKET	IRON-NICKEL-COBALT ALLOY PER MIL-I-23011 (KOVAR)	TIN PLATE PER MIL-T-10727 OVER NICKEL PER QQ-N-290
HERMETIC SEAL	GLASS BEAD	N/A

COMPONENT	MATERIAL	FINISH
UNLESS OTHERWISE SPECIFIED DIMENSIONS ARE IN INCHES TOLERANCE ON FRAC. DEC. ANGLES ± 1/64 ±.005 ± °	DRAWN BY K.C.MAHER DATE 12/6/88 CHECKED BY BB 12/6/88 APP'D BY N.BRODEUR 12/6/88	AMP Incorporated 140 Fourth Avenue Waltham, MA 02451-7599
These drawings and specifications are the property of Omni Spectra Incorporated and shall not be reproduced or copied or used in whole or in part as the basis for the manufacture or sale of item(s) without written permission.	USE ASS'Y PROCEDURE 408-04847 NO. A.P. (20-600)	TITLE OSM ENVIRONMENTALLY DURABLE SPARK PLUG HERMETICALLY SEALED SIZE B CODE IDENT NO. 26805 2058-3415-02 REV 01 ₀
	SCALE 5:1	SHEET 1 OF 1