

D

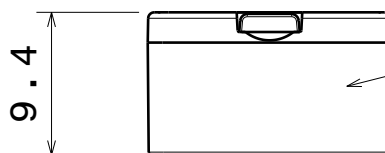
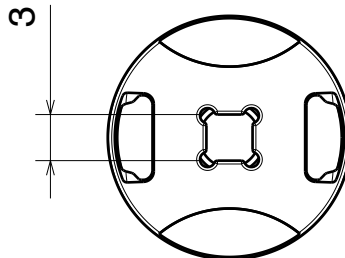
C

B

A

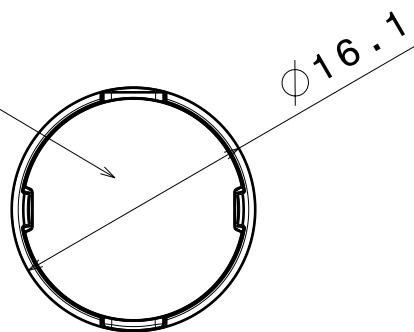


Isometric view  
Scale: 1:1



Holder

Lens



Materials:  
Lens PMMA  
Holder PC, Black

Tolerances for dimensions:  
0-20mm tolerance value  $\pm 0.1\text{mm}$   
21-45mm tolerance value  $\pm 0.2\text{mm}$   
46-90mm tolerance value  $\pm 0.3\text{mm}$   
91-100mm tolerance value  $\pm 0.4\text{mm}$   
101-mm tolerance value  $\pm 0.5\text{mm}$

This drawing is our property.  
It can't be reproduced  
or communicated without  
our written agreement.



Ledil Oy  
Salorankatu 10  
FIN 24240 SALO  
Finland

DRAWING TITLE

Datasheet Tina2 OSL Glue Assy

DRAWN BY

pv

DATE

11.04.2012

CHECKED BY

sn

DATE

12.03.2012

DESIGNED BY

pv

DATE

12.03.2012

SIZE

A4

DRAWING NUMBER

-

REV

1

SCALE

2:1

WEIGHT (g)

SHEET

1/1

A