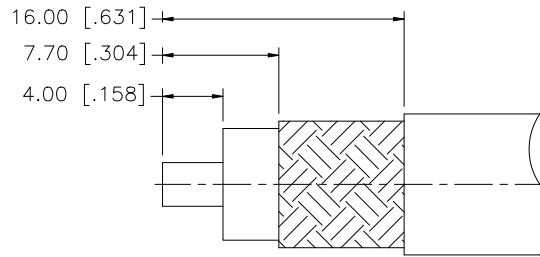
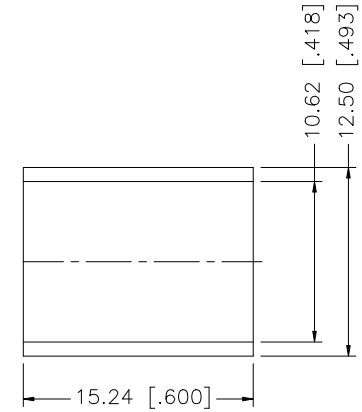
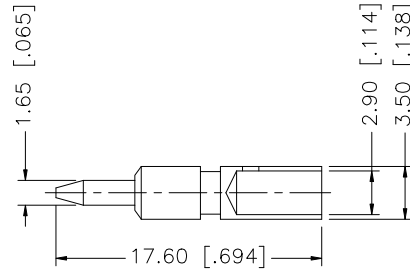
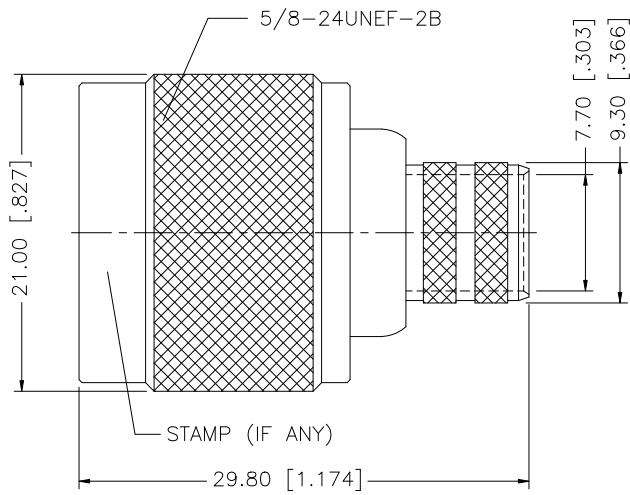


| REV. | DATE     | ECR NO. | DESCRIPTION                                   |
|------|----------|---------|---|
| A    | 02/08/03 | -       | UPDATE DRAWING FORMAT                         |
| B    | 02/23/06 | -       | MODIFY FERRULE DIAMETERS                      |
| C    | 05/22/06 | -       | MODIFY FERRULE LENGTH                         |
| D    | 05/27/08 | 100021  | REVISE CONTACT PIN (ITEM 5) PLATING TO "GOLD" |



RECOMMENDED  
CABLE STRIPPING DIM'S

NOTE:

1. CRIMPED FERRULE HEX CRIMP SIZE .429"
2. CRIMPED CONTACT PIN HEX CRIMP SIZE .118"

|   |               |          |         | UNLESS OTHERWISE SPECIFIED DIMENSIONS ARE IN MILLIMETERS. DIMENSIONS IN [ ] ARE IN INCHES AND FOR CUSTOMER REFERENCE ONLY. | APPROVALS | DATE   | <h1 style="color: blue; text-align: center;">Amphenol Connex</h1> |                         |  |  |          |
|---|---------------|----------|---------|--|-----------|--------|---|-------------------------|--|--|----------|
| 8 |               |          |         |  | DRAWN     | G.R.S. |   |                         |  |  | 05/27/08 |
| 7 |               |          |         |  | CHECKED   |        |   | PART DESCRIPTION        |  |  |          |
| 6 | FERRULE       | COPPER   | NEXCOTE | 1  | ISSUED    |        |   |                         |  |  |          |
| 5 | CONTACT PIN   | BRASS    | GOLD    | 1  | SHEET     | 1 OF 1 |   | DWG. NO. 172102H243.DWG |  |  |          |
| 4 | RETAINER RING | SUS 304  | NATURAL | 1  |           |        |   |                         |  |  |          |
| 3 | GASKET        | SILICONE | RED     | 1  |           |        |   | DO NOT SCALE DRAWING    |  |  |          |
| 2 | INSULATOR     | TEFLON   | NATURAL | 1  |           |        |   |                         |  |  |          |
| 1 | SHELL/BODY    | BRASS    | NEXCOTE | 1  |           |        |   |                         |  |  |          |
|   | DESCRIPTION   | MATERIAL | FINISH  | QTY  |           |        |   |                         |  |  |          |