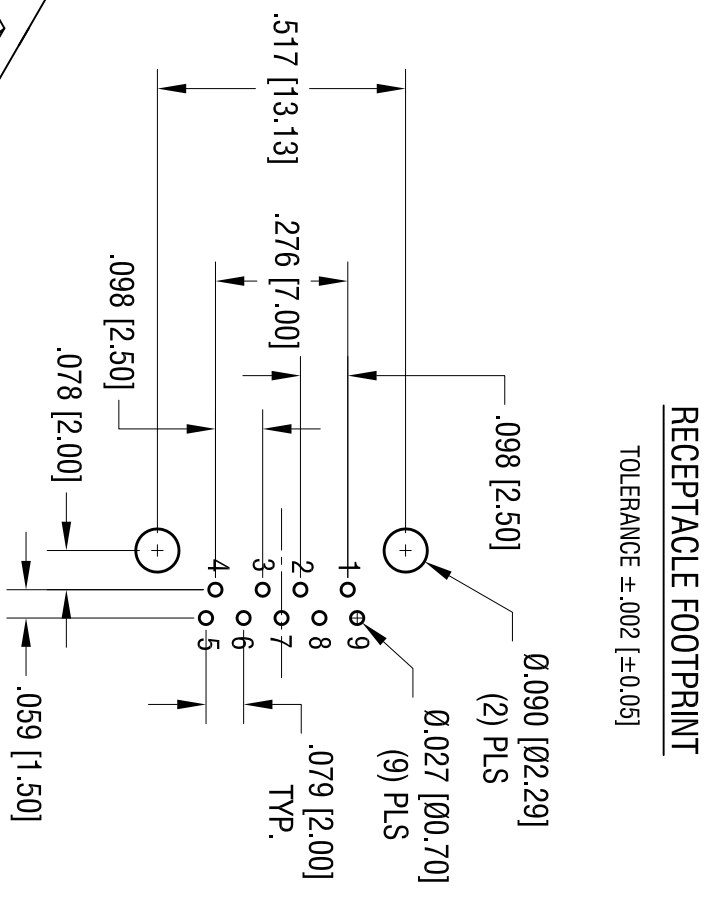
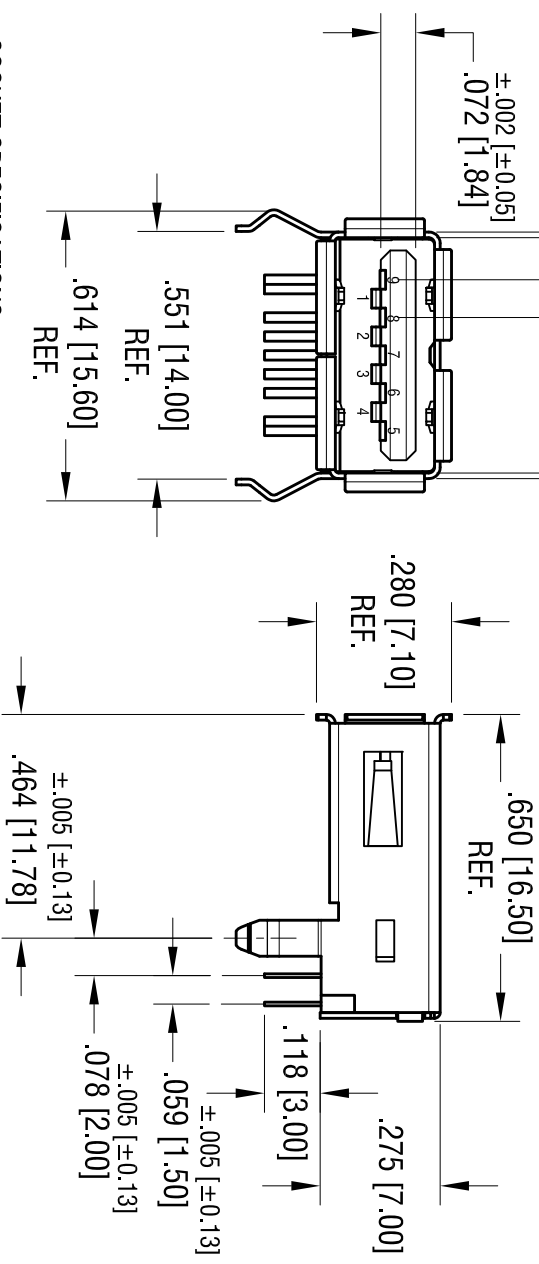
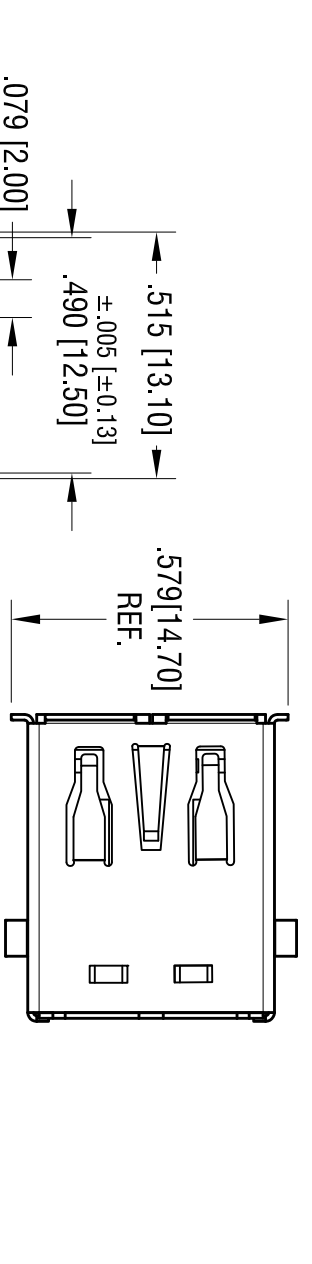


DATE	DESCRIPTION	REV.
5.31.11	CHANGE AS PER ECN 11-073	A



SOCKET SPECIFICATIONS:

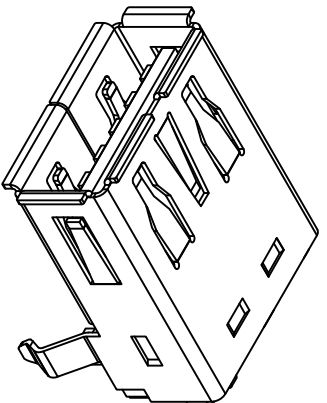
- SHELL: MAT'L- BRASS, NICKEL PLATE
- CONTACT: MAT'L-.008 [0.20] PHOSPHOR BRONZE AND .008 [0.20] BRASS
- INSULATION: MAT'L- THERMOPLASTIC, UL 94V-0
- FINISH- GOLD FLASH OVER NICKEL ON CONTACT AREA
- TIN OVER NICKEL ON SOLDER TAILS

ELECTRICAL CHARACTERISTICS:

- CONTACT RESISTANCE: 30m Ω max.
- INSULATION RESISTANCE: 1000 mega Ω min.
- DIELECTRIC VOLTAGE : 1.8 Amp AT 250 V AC MIN.
- OPERATING TEMPERATURE: -13°F (-25°C) TO 176°F (+80°C)

MECHANICAL CHARACTERISTICS:

- INSERTION FORCE: 35N MAX.
- EXTRACTION FORCE: 10 N MIN., AND 8N MIN. AFTER THE SPECIFIED



THIS DOCUMENT IS THE PROPERTY OF KEYSTONE ELECTRONICS CORP. AND SHALL NOT BE REPRODUCED, DISTRIBUTED OR USED AS A BASIS FOR MANUFACTURE WITHOUT PRIOR WRITTEN PERMISSION FROM KEYSTONE ELECTRONICS CORP.

KEYSTONE ELECTRONICS CORP.			
www.keystec.com • ASTORIA, N.Y. 11105-2017 • Tel (718) 956-8900			
PART NAME		USB TYPE A RECEPTACLE	
MATERIAL		AS NOTED	
FINISH		AS NOTED	
TOLERANCES	INCH	[MM]	CODE
DECIMAL	± .010	[± 0.25]	C/M
ANGULAR	± 1°		
UNLESS OTHERWISE SPECIFIED			
DRN BY	NT	DATE	4.06.10
APP'D	LN	SCALE	2.5X
DWG NO.		945	