

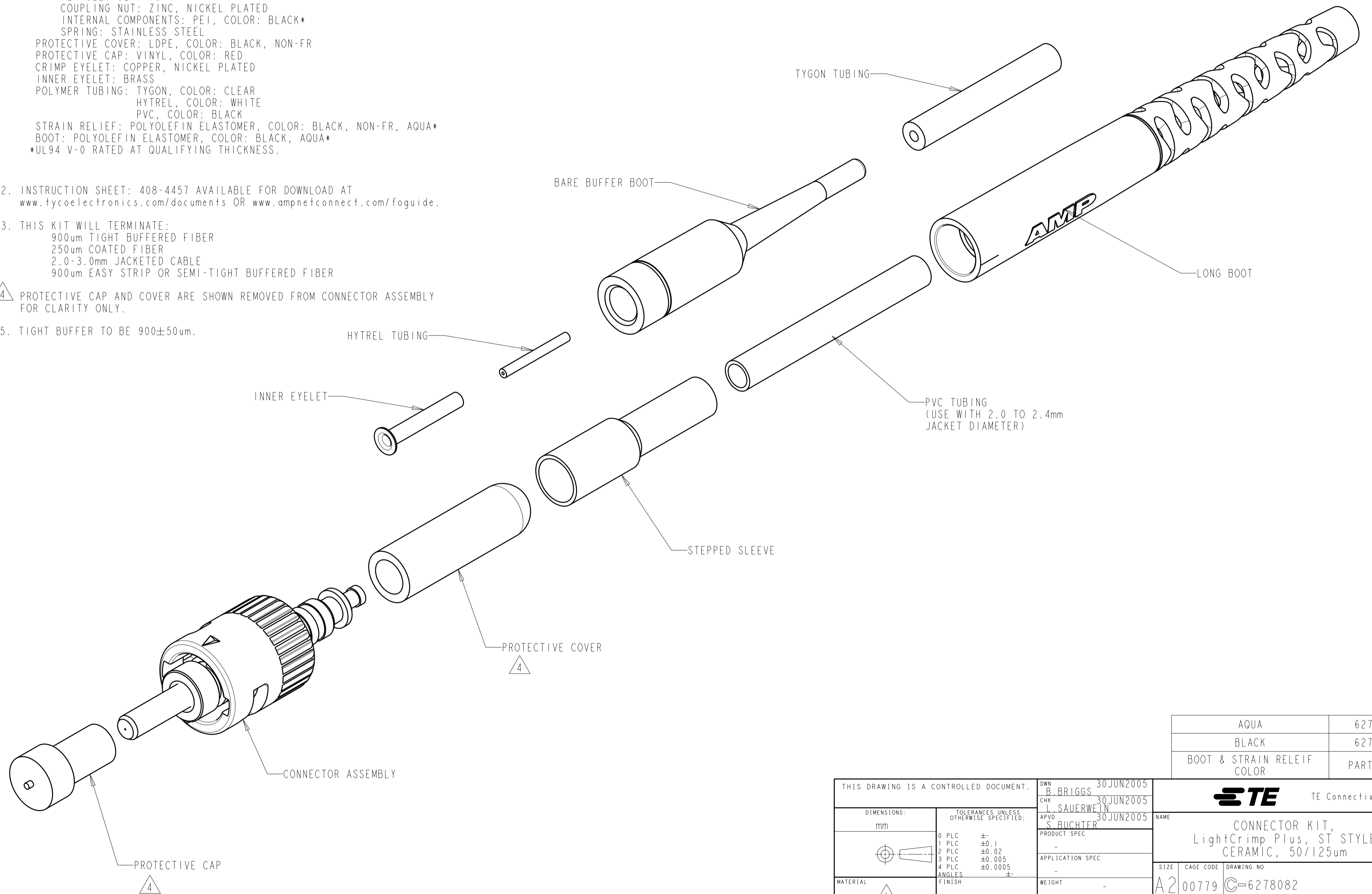
THIS DRAWING IS UNPUBLISHED. RELEASED FOR PUBLICATION 20  
 © COPYRIGHT 20 ALL RIGHTS RESERVED.

| LOC | DIST | REVISIONS   |                           |           |        |
|-----|------|-------------|---------------------------|-----------|--------|
| P   | LTR  | DESCRIPTION | DATE                      | DWN       | APVD   |
| CE  | 00   |             |                           |           |        |
|     |      | CI          | REVISED PER ECO-11-005139 | 27APR2011 | RK HMR |

- 1 MATERIAL:  
 CONNECTOR ASSY  
 REAR BODY: ALUMINUM ALLOY  
 PLUNGER: ALUMINUM ALLOY  
 FERRULE: CERAMIC  
 COUPLING NUT: ZINC, NICKEL PLATED  
 INTERNAL COMPONENTS: PEI, COLOR: BLACK\*  
 SPRING: STAINLESS STEEL  
 PROTECTIVE COVER: LDPE, COLOR: BLACK, NON-FR  
 PROTECTIVE CAP: VINYL, COLOR: RED  
 CRIMP EYELET: COPPER, NICKEL PLATED  
 INNER EYELET: BRASS  
 POLYMER TUBING: TYGON, COLOR: CLEAR  
 HYTREL, COLOR: WHITE  
 PVC, COLOR: BLACK  
 STRAIN RELIEF: POLYOLEFIN ELASTOMER, COLOR: BLACK, NON-FR, AQUA\*  
 BOOT: POLYOLEFIN ELASTOMER, COLOR: BLACK, AQUA\*  
 \*UL94 V-0 RATED AT QUALIFYING THICKNESS.

2. INSTRUCTION SHEET: 408-4457 AVAILABLE FOR DOWNLOAD AT  
[www.tycoelectronics.com/documents](http://www.tycoelectronics.com/documents) OR [www.ampnetconnect.com/foguide](http://www.ampnetconnect.com/foguide).
3. THIS KIT WILL TERMINATE:  
 900um TIGHT BUFFERED FIBER  
 250um COATED FIBER  
 2.0-3.0mm JACKETED CABLE  
 900um EASY STRIP OR SEMI-TIGHT BUFFERED FIBER

- 4 PROTECTIVE CAP AND COVER ARE SHOWN REMOVED FROM CONNECTOR ASSEMBLY FOR CLARITY ONLY.
5. TIGHT BUFFER TO BE 900±50um.



|                            |             |
|----------------------------|-------------|
| AQUA                       | 6278082-2   |
| BLACK                      | 6278082-1   |
| BOOT & STRAIN RELIEF COLOR | PART NUMBER |

|   |  |                                    |                       |                    |  |
|---|--|------------------------------------|-----------------------|--------------------|--|
| THIS DRAWING IS A CONTROLLED DOCUMENT.  |  | DWN<br>B. BRIGGS<br>30 JUN 2005    | TE Connectivity       |                    |  |
| DIMENSIONS:<br>mm   |  | CHK<br>L. SAUERWEIN<br>30 JUN 2005 |                       |                    | NAME   |
|   |  | APVD<br>S. BUCHTER<br>30 JUN 2005  |                       |                    | CONNECTOR KIT,<br>LightCrimp Plus, ST STYLE<br>CERAMIC, 50/125um |
| TOLERANCES UNLESS OTHERWISE SPECIFIED:<br>0 PLC ±<br>1 PLC ±0.1<br>2 PLC ±0.02<br>3 PLC ±0.005<br>4 PLC ±0.0005<br>ANGLES ±<br>FINISH |  | PRODUCT SPEC<br>-                  | APPLICATION SPEC<br>- | RESTRICTED TO<br>- |  |
| MATERIAL  |  | WEIGHT<br>-                        | SIZE<br>A2            | CAGE CODE<br>00779 |  |
| 1   |  | DRAWING NO<br>6278082              |                       | SCALE<br>4:1       |  |
| CUSTOMER DRAWING  |  | SHEET                              |                       | REV<br>CI          |  |