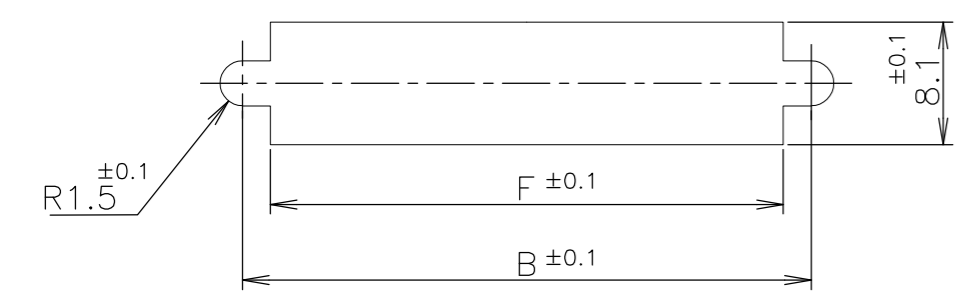
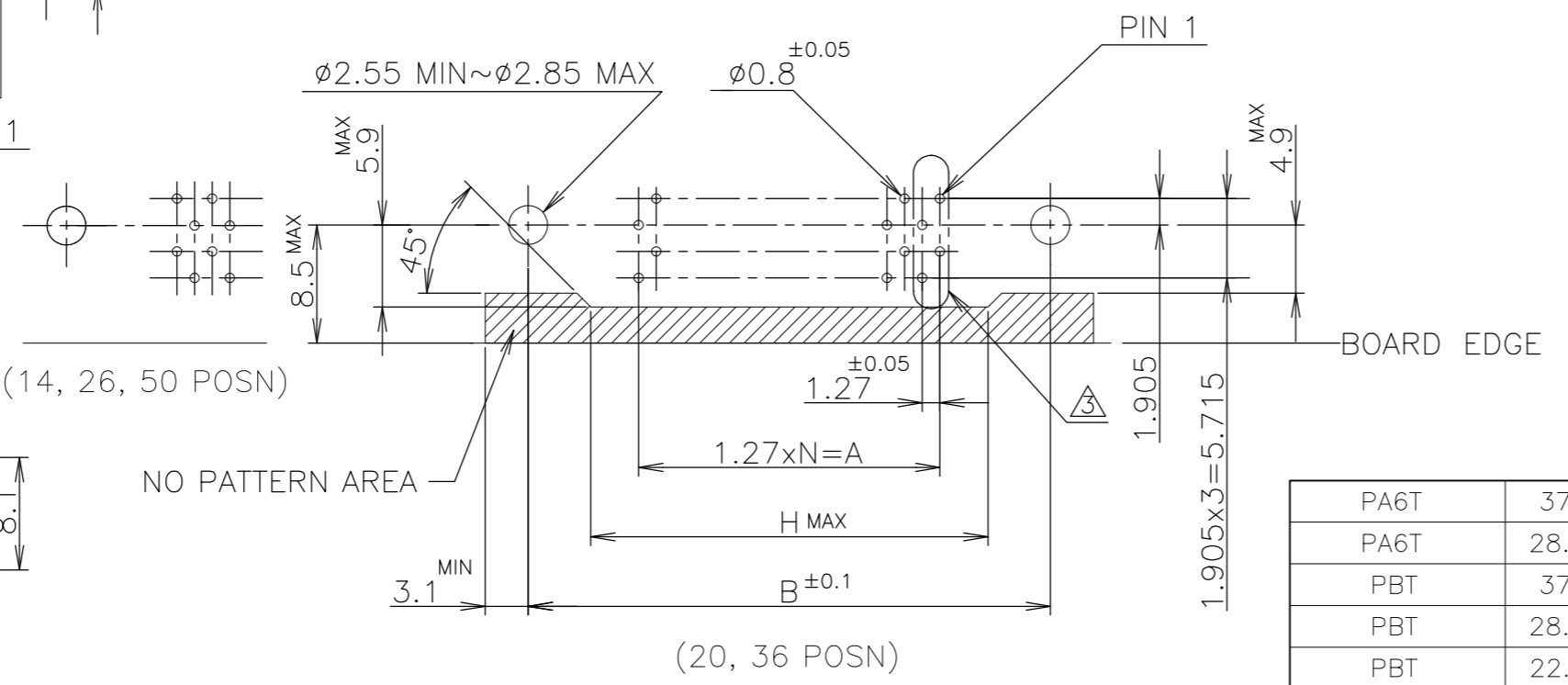
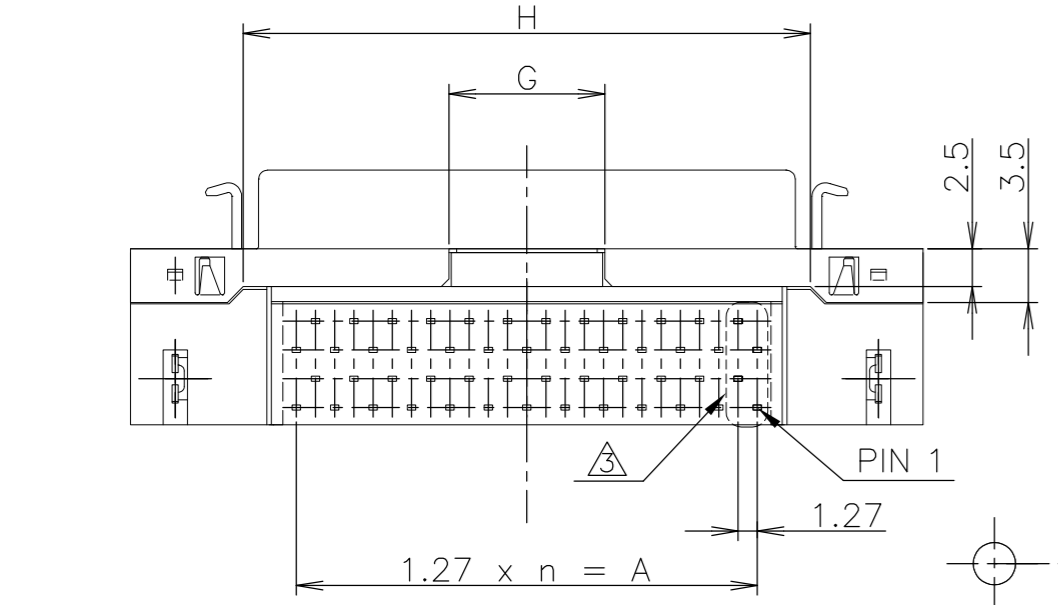
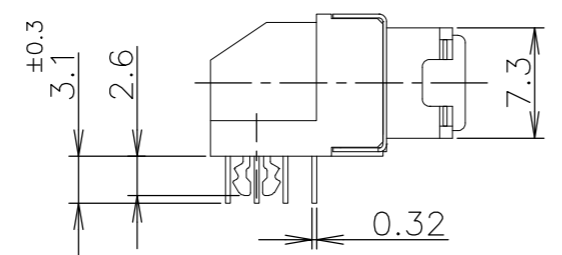
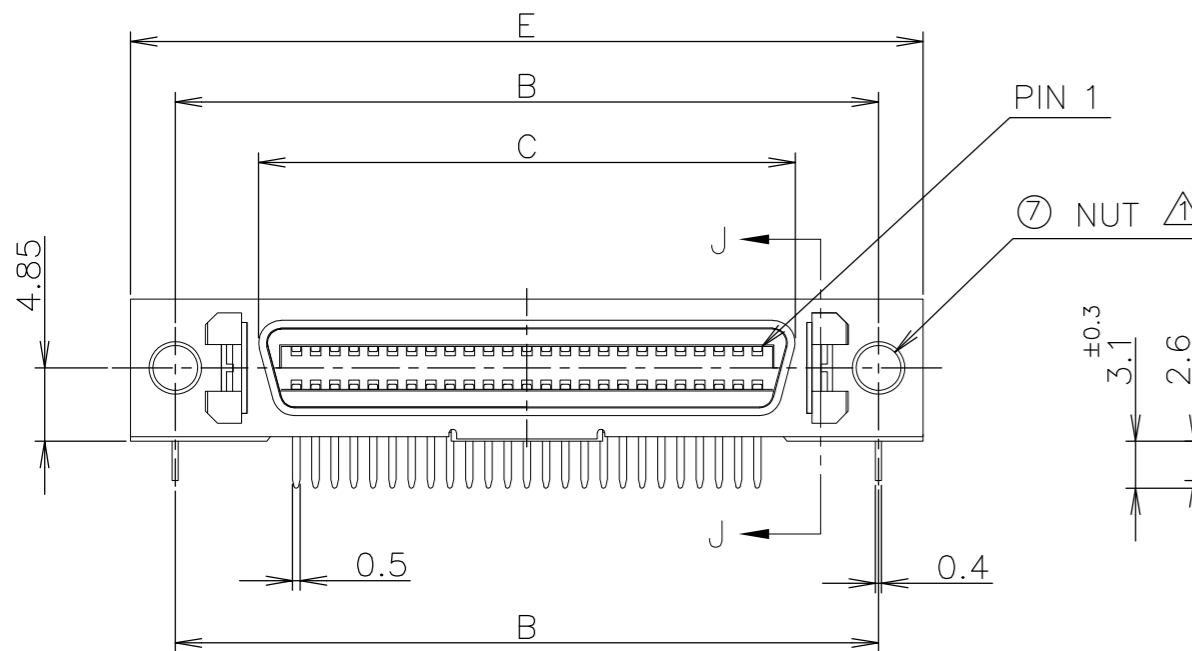
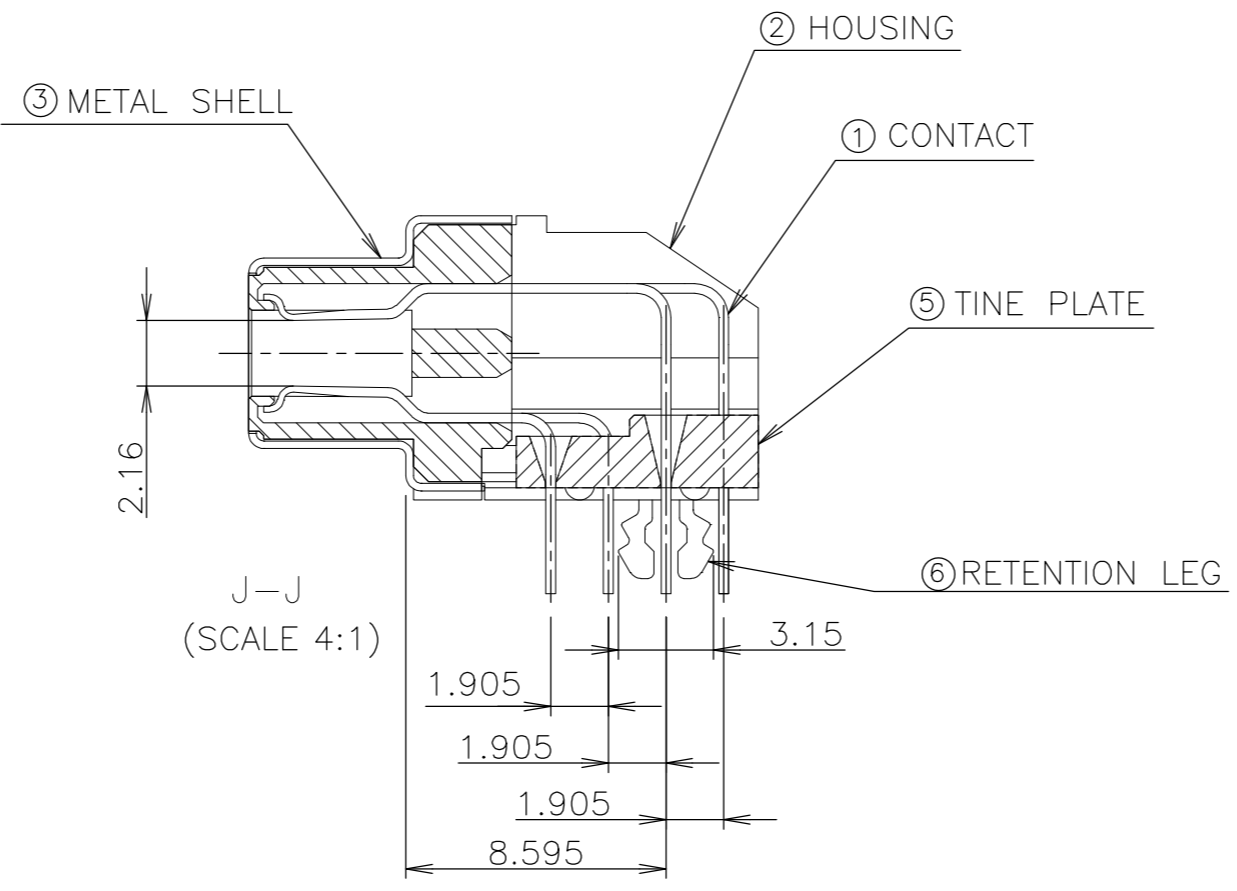
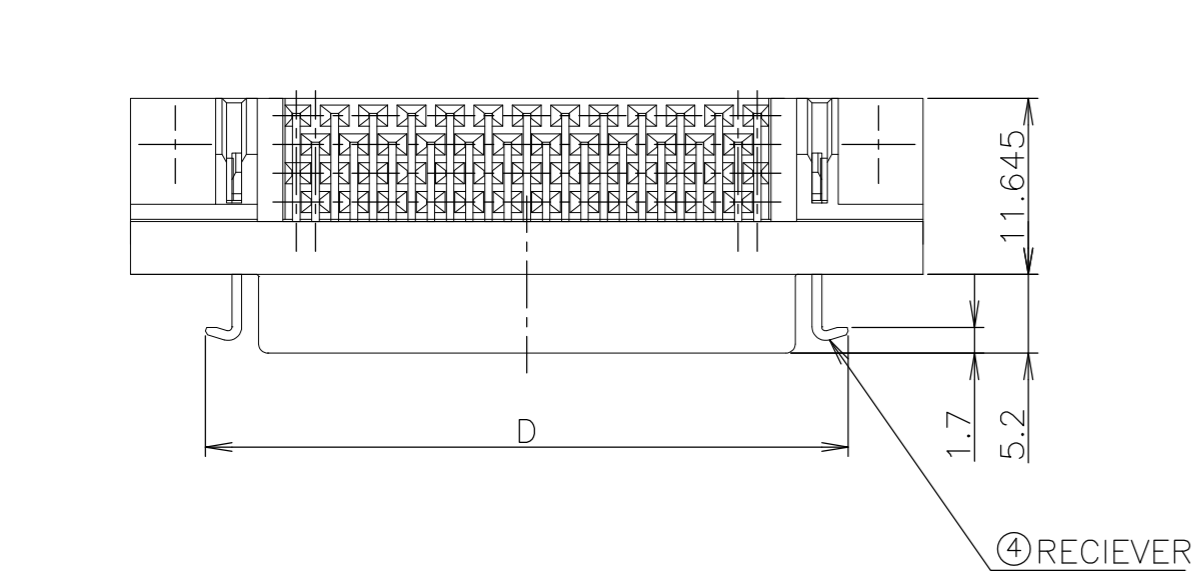


THIS DRAWING IS UNPUBLISHED. RELEASED FOR PUBLICATION MAR, 1995.  
 © COPYRIGHT 1995 By - ALL RIGHTS RESERVED.

LOC	DIST	REVISIONS					
J		P	LTR	DESCRIPTION	DATE	DWN	APVD
		P		REVISED PER ECO-11-005033	29MAR11	RK	HMR



RECOMENDED PANEL CUTOUT  
THK,2mm MAX

RECOMMENDED PC BOARD  
MOUNTING DIMMENSION  
COMPONENT SIDE

ITEM	(MATERIAL)	(FINISH)
①	COPPER ALLOY	NICKEL UNDER PLATE ALL OVER CONTACT AREA ; Au(0.0001) SOLDER TINE AREA ; TIN PLATE
② ⑤	PBT OR PA6T	COLOR : PBT BLACK PA6T NATURAL
③	STEEL THK0.25	NICKEL PLATE OVER COPPER UNDERPLATE
④	STAINLESS STEEL	
⑥	COPPER ALLOY	NICKEL UNDER PLATE ALL OVER. TIN PLATING ALL OVER.
⑦	STEEL	NICKEL PLATE OVER COPPER UNDERPLATE

△ RECOMMENDED SCREW SIZE ; M2.6 PANHEAD SCREW.( L=5 )  
 2 RECOMMENDED P.C BOARD THICKNESS ; 1.6mm±0.15  
 ▽ POST PATTERN AS SHOWN ON THIS END FOR ALL POSITION.

LEAD FREE

HSG MAT'L	H	G	F	E	D	C	B	A	N	POSITION	PART NO.
PA6T	37.5	10.3	42.8	52.40	42.50	35.48	46.50	30.48	24	50	1-5917738-7
PA6T	28.61	8.3	33.9	43.51	33.61	26.59	37.61	21.59	17	36	1-5917738-5
PBT	37.5	10.3	42.8	52.40	42.50	35.48	46.50	30.48	24	50	5917738-7
PBT	28.61	8.3	33.9	43.51	33.61	26.59	37.61	21.59	17	36	5917738-5
PBT	22.26	8.3	27.6	37.16	27.26	20.24	31.26	15.24	12	26	5917738-4
PBT	18.45	8.3	23.8	33.35	23.45	16.43	27.45	11.43	9	20	5917738-2
PBT	14.64	8.3	19.9	29.54	19.64	12.62	23.64	7.62	6	14	5917738-1

THIS DRAWING IS A CONTROLLED DOCUMENT.

DWN	LEO ZHOU	30NOV04
CHK	STEVEN YAO	30NOV04
APVD	LENOMOTO	30NOV04

NAME: CHAMP.050 SERIES (II)  
FMS-TYPE

SIZE	A2	CAGE CODE	00779	DRAWING NO	5917738	RESTRICTED TO
SCALE	2:1	SHEET	1 OF 1	REV	P	

CUSTOMER DRAWING