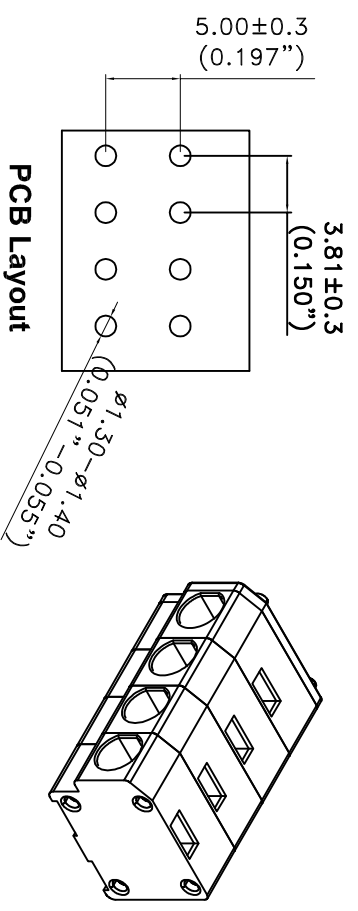
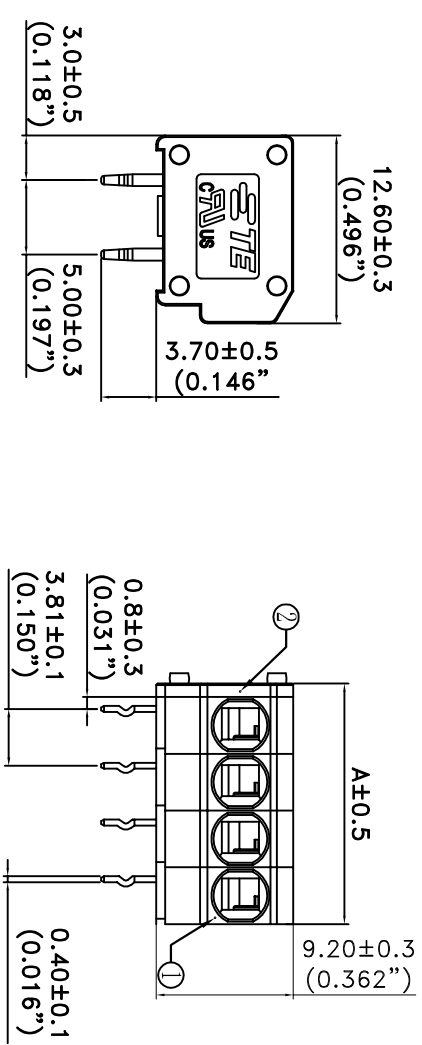


REVISONS		DATE	DMN	APPD	
P	LTR	DESCRIPTION	24/02/2015	GF	SJA
A	FIRST VERSION				



PCB Layout

NOTES :

△ MATERIALS AND FINISH:

- 1. HOUSING: PA66
- 2. CONTACTS: COPPER, FINISH: TIN OVER COPPER UNDERPLATE
- 3. MUST COMPLY WITH DIRECTIVE 2002/95/EC (ROHS)
- 4. WIRE TYPES AND SIZES ACCEPTED
- 5. WIRE RANGE: 16AWG~20AWG.
- 6. STRIP LENGTH: 9.0mm~10.0mm
- 7. PACKAGED IN TRAY.
- 8. CURRENT RATING: 8AMP AC300V.
- 9. OPERATION TEMPERATURE: -40°C TO +105°C
- 10. THIS PART NO. IS THE SAME STRUCTURE AS THE SERIES: 2834088
- 11. THE DATASHEET AND MORE DETAILS PLEASE FOLLOW THE SERIES: 2834088

④	③	②	①
WIRE PROTECTOR	CONTACT	COVER	HOUSING
31.38	8 POSN	2834088-7	
27.57	7 POSN	2834088-6	
23.76	6 POSN	2834088-5	
19.95	5 POSN	2834088-4	
16.14	4 POSN	2834088-3	
12.33	3 POSN	2834088-2	
8.52	2 POSN	2834088-1	
A	NO. OF POSITIONS	PART NO	

THIS DRAWING IS A CONTROLLED DOCUMENT.

DATE: 24/02/2015	TIME: 02:26:2015	REV: 00
DESIGNER: MIMI	CHK: XIAO MING	APP: XIAO MING
DATE: 24/02/2015	TIME: 02:26:2015	REV: 00
DESIGNER: MIMI	CHK: XIAO MING	APP: XIAO MING

381 Horizontal Entry Screwless Connector

STE TE Connectivity

SCALE: 1:1