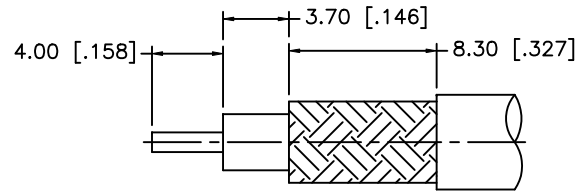
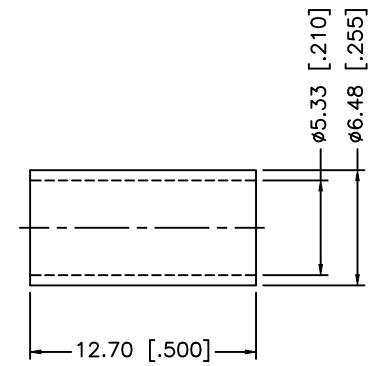
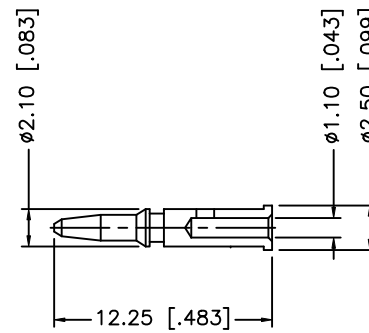
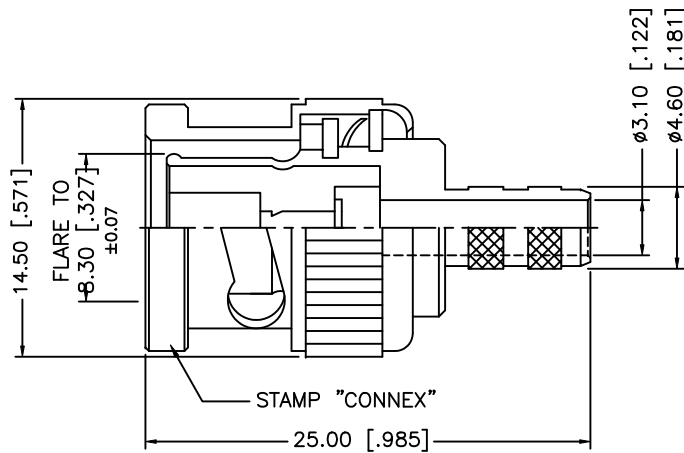


REV.	DATE	ECR NO.	DESCRIPTION
A	04/04/03	-	UPDATE DRAWING FORMAT
B	09/21/08	-	ADD COUPLING NUT TO BOM



RECOMMENDED CABLE STRIPPING DIMENSIONS



NOTES:

1. CRIMPED FERRULE HEX CRIMP SIZE .213" [5.41]
2. CRIMPED CONTACT PIN HEX CRIMP SIZE .068" [1.72]

DESCRIPTION	MATERIAL	FINISH	QTY	DO NOT SCALE DRAWING	APPROVALS	DATE	Amphenol Connex				
				UNLESS OTHERWISE SPECIFIED DIMENSIONS ARE IN MILLIMETERS. DIMENSIONS IN [] ARE IN INCHES AND FOR CUSTOMER REFERENCE ONLY.	DRAWN	GRS	09/21/08	PART DESCRIPTION BNC CRIMP PLUG (FOR RG-58C/U CABLE)			
				UNLESS OTHERWISE SPECIFIED TOLERANCES FOR MILLIMETERS ARE: 0.5 - 8mm ± 0.20mm 8 - 30mm ± 0.40mm 30 - 120mm ± 0.50mm	CHECKED						
				UNLESS OTHERWISE SPECIFIED TOLERANCES FOR INCHES ARE: .020 - .315 = ± 0.007" .315 - 1.180 = ± 0.015" 1.180 - 4.724 = ± 0.020"	ISSUED			DWG. NO. 112120.DWG REV. B SIZE A SCALE NA			
					SHEET	1 OF 1					
					CAD FILE	C:/112/112120.DWG					