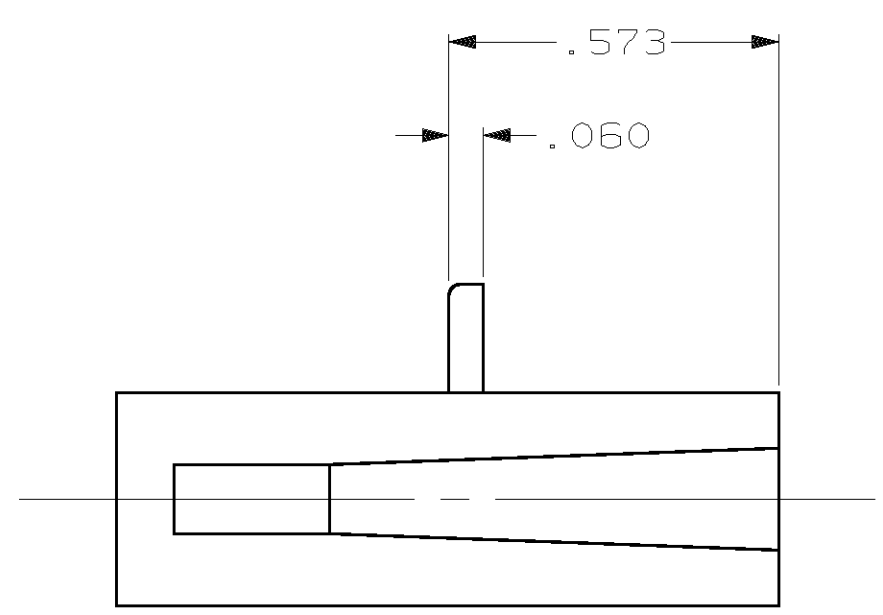
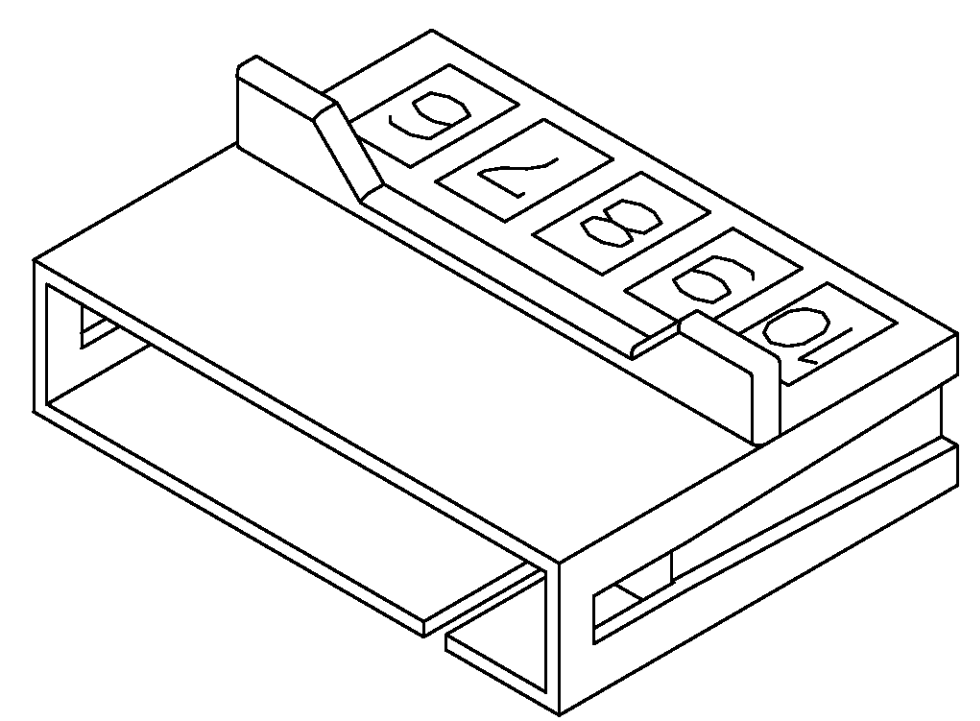
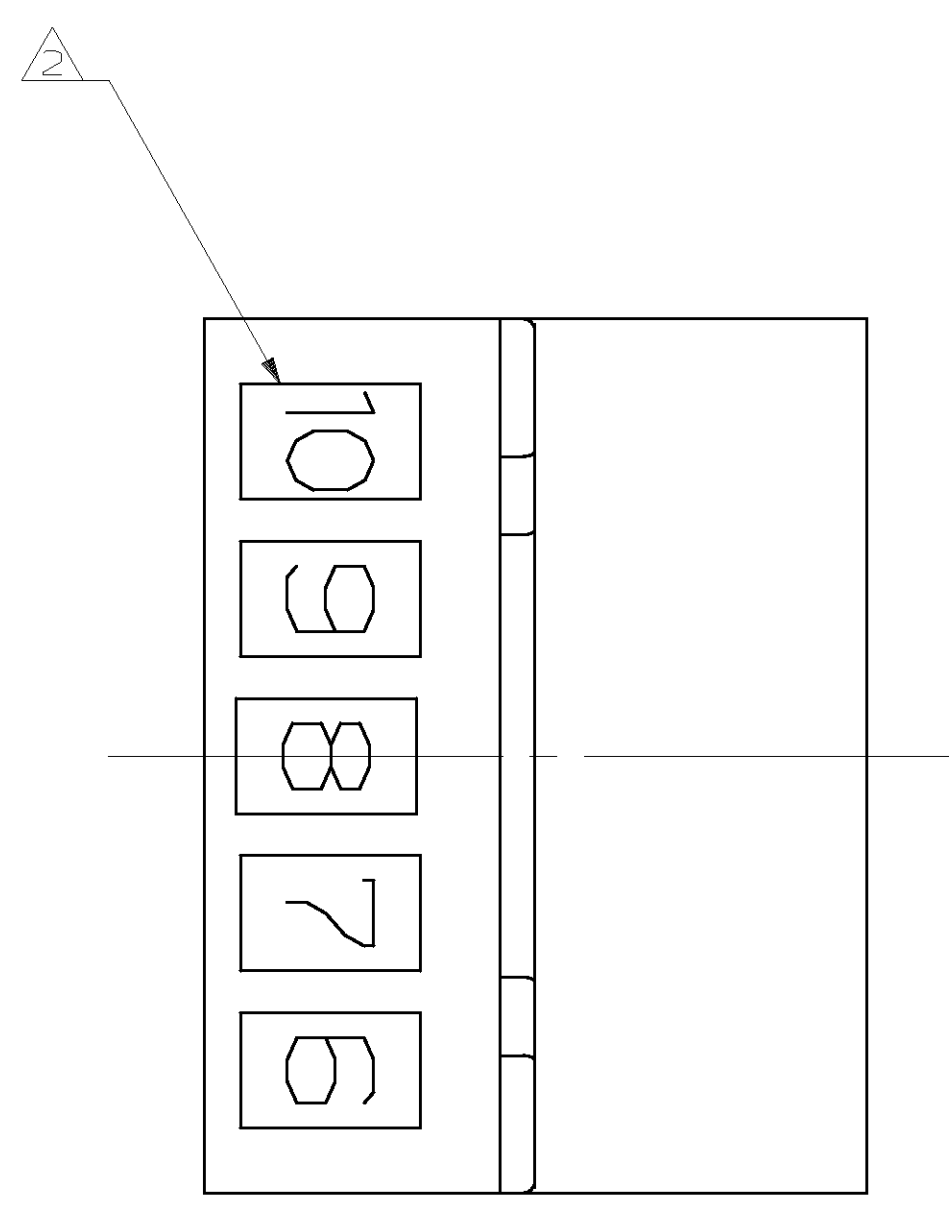
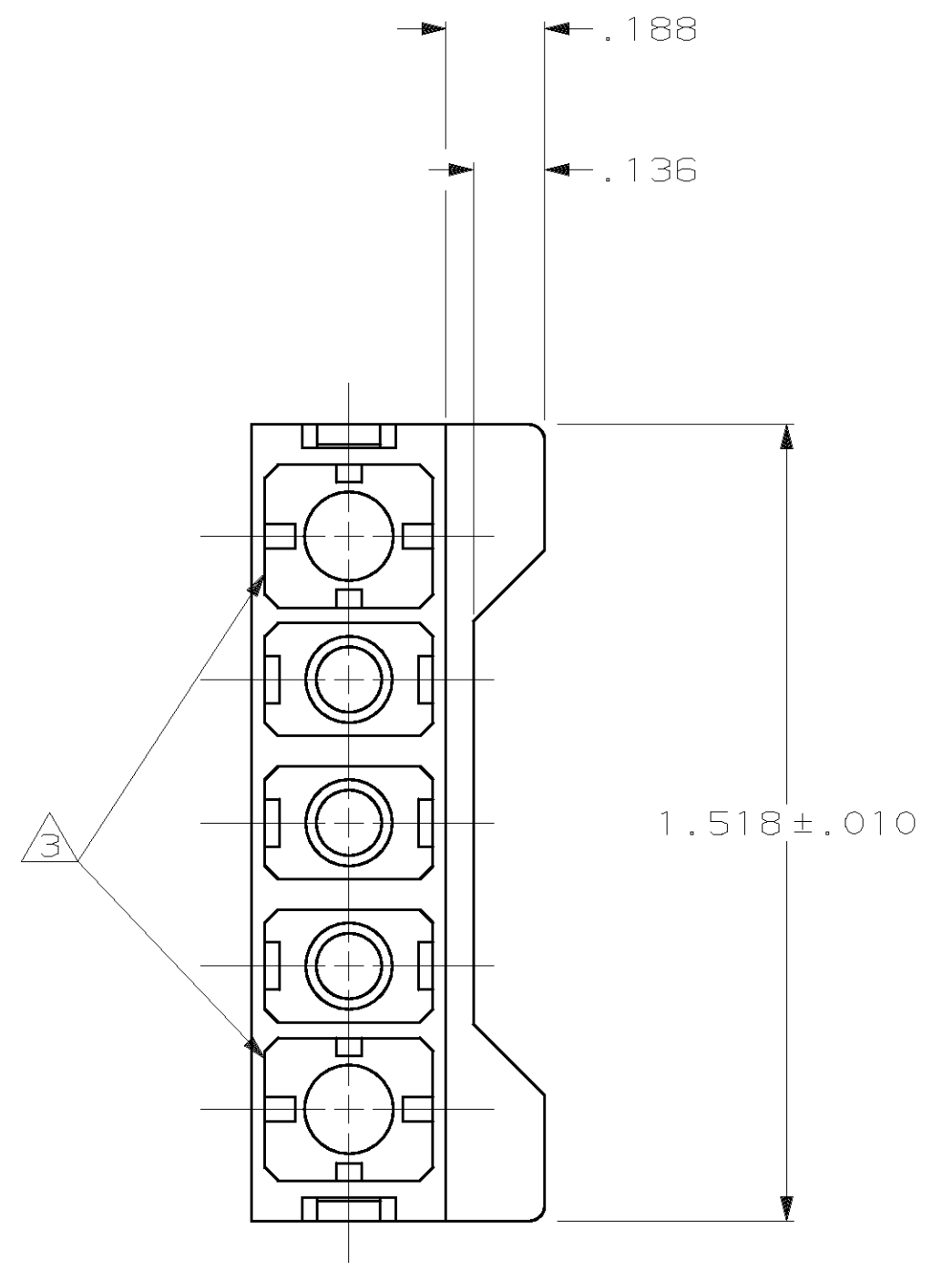
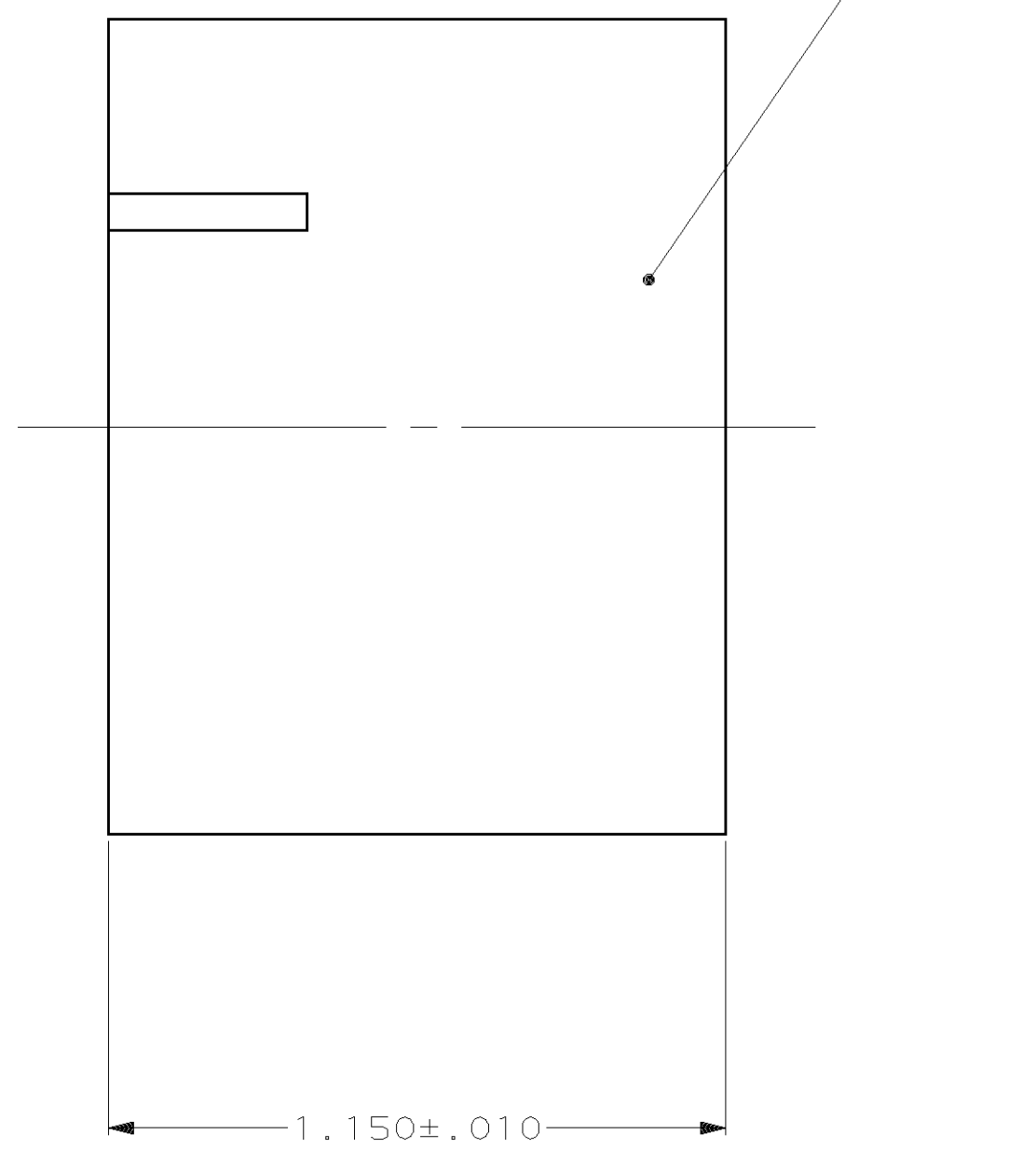
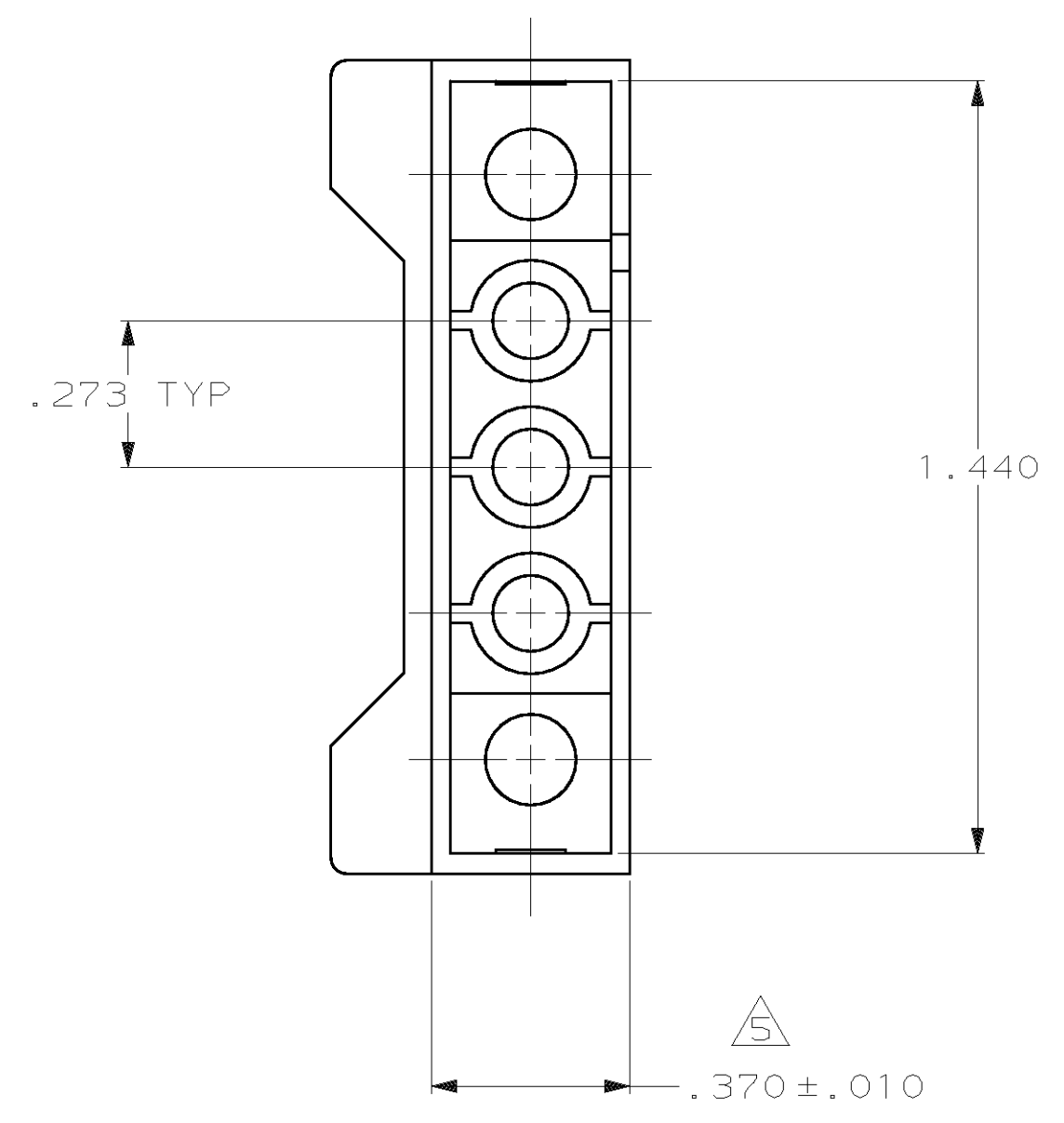


LOC		DIST		P		F		ZONE		LTR		REVISIONS		DATE	APPO
CM	53											H	REV PER EC 0G1B-0260-98	21-JAN-99	JH RS



- MATES WITH PLUG HOUSING 770462.
- CIRCUIT NUMBERS LOCATED APPROXIMATELY AS SHOWN.
- WHEN USING CONTACT P/N 770484-1 IN HOUSING POSITIONS NO.6 & 10, THE WIRE STRIP LENGTH MUST BE  $.385 \pm .015$ .
- AMP LOGO LOCATED ON THIS SURFACE.
- DIMENSION TO BE HELD AT CORNERS. DIMENSION MAY GO TO  $.351$  AT FEATURE CENTER DUE TO BOW.



3-DIMENSIONAL MODEL  
NTS

.188	4.78	1.518	38.56
.140	3.56	1.440	36.58
.136	3.45	1.150	29.21
.093	2.36	.573	14.55
.060	1.52	.385	9.78
.015	0.38	.370	9.40
.010	0.25	.351	8.92
.005	0.13	.273	6.93
IN	MM	IN	MM

CONVERSION TABLE

**METRIC**

DO NOT SCALE PRINT. UNLESS SPECIFIED DIMENSIONS IN INCHES TOLERANCES ON : 2 PLC DEC ± _____ 3 PLC DEC ± .005 ANGLES ± _____		DR K. WHITAKER 12-20-88	AMP INCORPORATED Harrisburg, Pa. 17105
MATERIAL NYLON, UL 94V-2 NATURAL	CHK R. SWING 12-21-88	APPD G. BROWN 12-21-88	
FINISH	APPD G. BROWN 12-21-88	PRODUCT SPEC	NAME CAP, LEFT HAND, .093/.140 COMMERCIAL PIN AND SOCKET
APPLICATION SPEC	WEIGHT	SCALE 3:1	DRAWING NO 770464 SHEET 1 OF 1

770464-1  
PART NO