

ARM[®] Cortex[®]-M0
32-bit Microcontroller

NuMicro[®] Family
NuTiny-SDK-NUC121
NuTiny-SDK-NUC125
User Manual

The information described in this document is the exclusive intellectual property of Nuvoton Technology Corporation and shall not be reproduced without permission from Nuvoton.

Nuvoton is providing this document only for reference purposes of NuMicro microcontroller based system design. Nuvoton assumes no responsibility for errors or omissions.

All data and specifications are subject to change without notice.

For additional information or questions, please contact: Nuvoton Technology Corporation.

www.nuvoton.com

Table of Contents

1 OVERVIEW 4

 1.1 General Description 4

 1.2 Key Features Support Table 5

2 INTRODUCTION TO NuTiny-SDK-NUC121 6

 2.1 NuTiny-SDK-NUC121 (PCB Board) 6

 2.2 Virtual COM Port Switch Description 6

 2.3 NuTiny-SDK-NUC121 Power Setting and Connector 7

 2.3.1 Power Setting 7

 2.3.2 Debug Connector 7

 2.3.3 USB Connector 7

 2.3.4 Extended Connector 7

 2.3.5 Reset Button 7

 2.3.6 Power Connector 7

 2.3.7 Virtual COM Port Function Switch 8

 2.3.8 Crystal Selection 8

 2.4 Pin Assignment for Extended Connector 9

 2.5 NuTiny-SDK-NUC121 PCB Placement 11

3 INTRODUCTION TO NuTiny-SDK-NUC125 12

 3.1 NuTiny-SDK-NUC125 (PCB Board) 12

 3.2 Virtual COM Port Switch Description 12

 3.3 NuTiny-SDK-NUC125 Power Setting and Connector 13

 3.3.1 Power Setting 13

 3.3.2 V_{DDIO} Selection 13

 3.3.3 Debug Connector 13

 3.3.4 USB Connector 14

 3.3.5 Extended Connector 14

 3.3.6 Reset Button 14

 3.3.7 Power Connector 14

 3.3.8 Virtual COM Port Function Switch 14

 3.3.9 Crystal Selection 14

 3.4 Pin Assignment for Extended Connector 15

 3.5 NuTiny-SDK-NUC125 PCB Placement 17

4 HOW TO START NuTiny-SDK-NUC121/125 ON THE KEIL uVision® IDE 18

- 4.1 Downloading and Installing Keil μ Vision[®] IDE Software18
- 4.2 Downloading and Installing Nuvoton Nu-Link Driver18
- 4.3 Hardware Setup.....18
- 4.4 Example Program.....18
- 5 HOW TO START NuTiny-SDK-NUC121/125 ON THE IAR EMBEDDED WORKBENCH..... 22
 - 5.1 Downloading and Installing IAR Embedded Workbench Software22
 - 5.2 Downloading and Installing Nuvoton Nu-Link Driver22
 - 5.3 Hardware Setup.....22
 - 5.4 Example Program.....22
- 6 SCHEMATICS 26
 - 6.1 NuTiny-SDK-NUC12126
 - 6.1.1 Nu-Link-Me Schematic..... 26
 - 6.1.2 SDK Circuit Schematic..... 27
 - 6.1.3 NuTiny-EVB-NUC121 Schematic 28
 - 6.1.4 GPIO for 64 pin Schematic..... 29
 - 6.2 NuTiny-SDK-NUC125.....30
 - 6.2.1 Nu-Link-Me Schematic..... 30
 - 6.2.2 SDK Circuit Schematic..... 31
 - 6.2.3 NuTiny-EVB-NUC125 Schematic 32
 - 6.2.4 GPIO for 64 pin Schematic..... 33
- 7 DOWNLOADING NUMICRO[®] RELATED FILES FROM NUVOTON WEBSITE..... 34
 - 7.1 Downloading NuMicro[®] Keil μ Vision[®] IDE Driver34
 - 7.2 Downloading NuMicro[®] IAR EWARM Driver36
 - 7.3 Downloading NuMicro[®] NUC121/125 Series BSP Software Library.....38
- 8 REVISION HISTORY 40

1 OVERVIEW

NuTiny-SDK-NUC121 and NuTiny-SDK-NUC125 are the specific development tools for NuMicro[®] NUC121/125 series. The NuTiny-SDK-NUC121 and NuTiny-SDK-NUC125 can be used to develop and verify the application program easily.

NuTiny-SDK-NUC121

The NuTiny-SDK-NUC121 includes the two portions. One is NuTiny-EVB-NUC121 and the other is Nu-Link-Me. NuTiny-EVB-NUC121 is the evaluation board and Nu-Link-Me is its Debug Adaptor. Thus, user does not need other additional ICE or debug equipment.

NuTiny-SDK-NUC125

The NuTiny-SDK-NUC125 includes the two portions. One is NuTiny-EVB-NUC125 and the other is Nu-Link-Me. NuTiny-EVB-NUC125 is the evaluation board and Nu-Link-Me is its Debug Adaptor. Thus, user does not need other additional ICE or debug equipment.

Difference Between NuTiny-SDK-NUC121 and NuTiny-SDK-NUC125

The NuTiny-SDK-NUC125 has an independent power input pin V_{DDIO} . The V_{DDIO} supports GPIO (PA.10, PA.11, PB.4 ~ PB.7, PB.12 ~ PB.14 and PD.8 ~ 11) which belongs to V_{DDIO} power domain to work under another operating voltage from 1.8V to 5.5V. The V_{DDIO} is defaulted to being connected with V_{DD} . User can remove resistor R17 and supply external power for V_{DDIO} .

1.1 General Description

The NuMicro[®] NUC121/125 series is a 32-bit Cortex[®]-M0 microcontroller with USB 2.0 Full-speed device, a 12-bit ADC and 4 sets of 6-channel BPWM. The NUC121/125 series provides the high 50 MHz operating speed, 8 Kbytes SRAM, 8 USB endpoints and 24 channels of BPWM, which make it powerful in USB communication and data processing. The NUC121/125 series is ideal for industrial control, consumer electronics, and communication system applications such as printers, touch panel, gaming keyboard, gaming joystick, USB audio, PC peripherals, and alarm systems.

The NUC121/125 series runs up to 50 MHz and supports 32-bit multiplier, structure NVIC (Nested Vector Interrupt Control), dual-channel APB and PDMA (Peripheral Direct Memory Access) with CRC function. Besides, the NUC121/125 series is equipped with 32 Kbytes Flash memory, 8 Kbytes SRAM, and 4 Kbytes loader ROM for the ISP. It operates at a wide voltage range of 2.5V ~ 5.5V and temperature range of -40°C ~ $+105^{\circ}\text{C}$. It is also equipped with plenty of peripheral devices, such as 8-channel 12-bit ADC, USCI, UART, SPI, I²C, I²S, USB 2.0 FS device, and offers low-voltage reset and Brown-out detection, PWM (Pulse-width Modulation), capture and compare features, four sets of 32-bit timers, Watchdog Timer, and internal RC oscillator. All these peripherals have been incorporated into the NUC121/125 series to reduce component count, board space and system cost.

Additionally, the NUC121/125 series is equipped with ISP (In-System Programming), IAP (In-Application-Programming) and ICP (In-Circuit Programming) functions, which allows the user to update the program under software control through the on-chip connectivity interface, such as SWD, UART and USB. Also all series support SPROM. Moreover, the NUC125 support Voltage Adjustable Interface with individual I/O (1.8V-5.5V) for saving additional cost on adjusting the interface voltage difference of peripheral components.

1.2 Key Features Support Table

* USCI can be set to UART, I²C or SPI.

Product Line	USB D	USCI	UART	I ² C	SPI/ I ² S	Timer	BPWM	ADC
NUC121	1	1	1	2	1	4	24	12
NUC125	1	1	1	2	1	4	23	11

Table 1.2-1 Key Features Support Table

The NuMicro[®] NUC121/125 series is suitable for a wide range of applications such as:

- USB Keyboard / Mouse
- Gaming - Joystick
- Industrial Automation
- Home Automation
- VR peripheral application
- USB audio
- Alarm system

2 INTRODUCTION TO NUTINY-SDK-NUC121

NuTiny-SDK-NUC121 uses the NUC121SC2AE as the target microcontroller. Figure 2.1-1 shows the NuTiny-SDK-NUC121 for the NUC121 series, wherein the left portion is called NuTiny-EVB-NUC121 and the right portion is a Debug Adaptor called Nu-Link-Me.

NuTiny-EVB-NUC121

The NuTiny-EVB-NUC121 is similar to other development boards. It can be used to develop and verify applications to emulate the real behavior. The on-board chip covers NUC121 series features. The NuTiny-EVB-NUC121 can be a real system controller to design user's target systems.

Nu-Link-Me

- Debug Adaptor

The Nu-Link-Me Debug Adaptor connects your PC's USB port to the user's target system (via Serial Wired Debug Port) and allows user to program and debug embedded programs on the target hardware. To use Nu-Link-Me Debug adaptor with IAR or Keil, please refer to "Nuvoton NuMicro® IAR ICE driver user manual" or "Nuvoton NuMicro® Keil ICE driver user manual" in detail. These two documents will be stored in the local hard disk when user installs each driver.

- Virtual COM Port

The Nu-Link-Me also supports virtual COM port function. The Nu-Link-Me can be used as a USB to UART virtual COM port, which connects to on-board NUC121SC2AE UART0. Virtual COM port function is defaulted to off. User can turn on all of the positions of switch to enable it.

2.1 NuTiny-SDK-NUC121 (PCB Board)

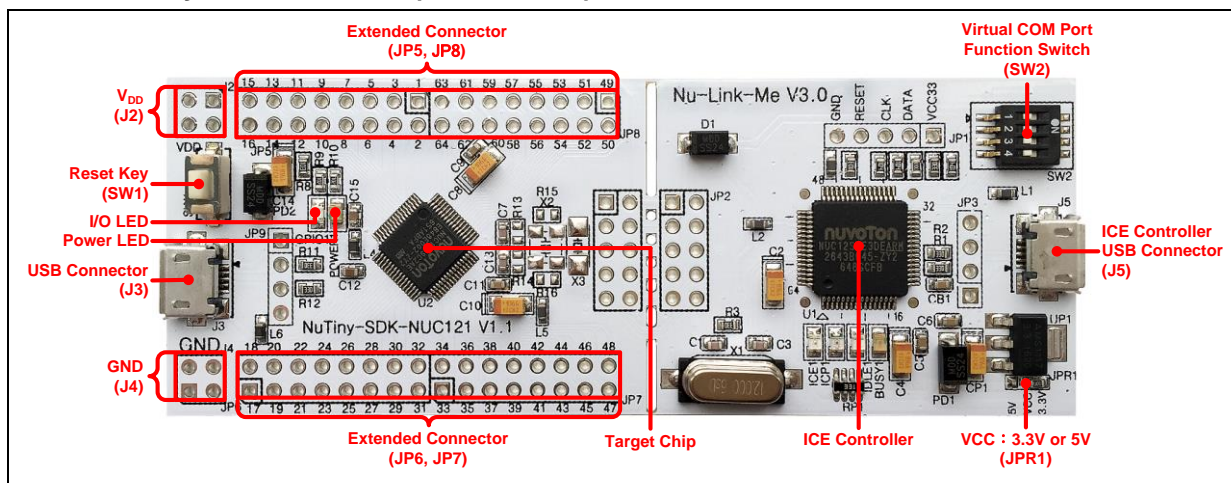


Figure 2.1-1 NuTiny-SDK-NUC121 (PCB Board)

2.2 Virtual COM Port Switch Description

The switch in Nu-Link-Me, SW2, determines that the virtual COM port function is enabled or disabled. When user turns on all of the positions of switch, the virtual COM port function will be enabled. By using virtual COM port function, user can access the USB device in the same way as it would access a standard COM port to NUC121SC2AE UART0. To use this function, user needs to install "VCOM Driver" at first. User can get "VCOM Driver" from NuMicroDVD in the folder "Software Utilities".

2.3 NuTiny-SDK-NUC121 Power Setting and Connector

2.3.1 Power Setting

- J2: V_{DD} Voltage connector in NuTiny-EVB-NUC121
- J3: USB port in NuTiny-EVB-NUC121
- J5: USB port in Nu-Link-Me

Model	JPR1	J2 V_{DD}	J3 USB Port	J5 ICE USB Port	MCU Voltage
Model 1	Select 3.3V (default)	DC 3.3V Output	X	Connect to PC	DC 3.3V
Model 2	Select 5V	DC 5V Output	X	Connect to PC	DC 5V
Model 3	Select 3.3V or 5V	DC 5V Output	Connect to PC	Connect to PC	DC 5V
Model 4*	X	DC 5V Output	Connect to PC	X	DC 5V
Model 5	Select 3.3V or 5V	DC 2.5V ~ 5.5V Input	X	Connect to PC	Voltage by J2 input
Model 6*	X	DC 2.5V ~ 5.5V Input	X	X	Voltage by J2 input

X: Unused

Note *: Need to separate NuTiny-EVB-NUC121 and Nu-Link-Me.

2.3.2 Debug Connector

- JP4: Connector in target board (NuTiny-EVB-NUC121) for connecting with Nuvoton ICE adaptor (Nu-Link-Me)
- JP2: Connector in ICE adaptor (Nu-Link-Me) for connecting with a target board (NuTiny-EVB-NUC121)

2.3.3 USB Connector

- J3: Micro USB Connector in NuTiny-EVB-NUC121 for application use
- J5: Micro USB Connector in Nu-Link-Me connected to a PC USB port

2.3.4 Extended Connector

- JP5, JP6, JP7 and JP8: Show all chip pins in NuTiny-EVB-NUC121

2.3.5 Reset Button

- SW1: Reset button in NuTiny-EVB-NUC121

2.3.6 Power Connector

- J2: V_{DD} connector in NuTiny-EVB-NUC121
- J4: GND connector in NuTiny-EVB-NUC121

2.3.7 Virtual COM Port Function Switch

- SW2: Switch ON/OFF to enable or disable Nu-Link-Me virtual COM port function.

Function	Switch				Descriptions
	1	2	3	4	
Enable	ON	ON	ON	ON	Enable Nu-Link-Me virtual COM port function
Disable	OFF	OFF	OFF	OFF	Disable Nu-Link-Me virtual COM port function

2.3.8 Crystal Selection

- X1: Used for 4 ~ 24 MHz crystal
- X2: Used for 32.768 kHz crystal

Crystal Selection	X2	X3	R13	R14	R15	R16
Crystal-less (default)	X	X	NC	NC	NC	NC
4 ~ 24 MHz	V	X	0Ω	0Ω	NC	NC
32.768 kHz	X	V	NC	NC	0Ω	0Ω

X: Unused

V: Used

2.4 Pin Assignment for Extended Connector

The NuTiny-EVB-NUC121 provides NUC121SC2AE on board and the extended connector for LQFP-64 pin. Table 2.4-1 is the pin assignment for NUC121SC2AE.

Pin No	Pin Function	Pin No	Pin Function
01	PB.14, INT0, UART0_nRTS, ADC_CH9, BPWM1_CH0, SPI0_SS	19	USB_D-
02	PB.13, ADC_CH10, USCI0_CTL1	20	USB_D+
03	PB.12, CLKO, ADC_CH11, USCI0_CTL0	21	PB.0, UART0_RXD, PWM1_CH0
04	PA.11, I2C1_SCL, BPWM0_CH5, TM0, USCI0_CLK, USCI0_DAT0	22	PB.1, UART0_TXD, PWM1_CH1
05	PA.10, I2C1_SDA, BPWM0_CH4, PWM0_BRAKE0, USCI0_DAT1	23	PB.2, UART0_nRTS, TM2_EXT, PWM1_CH2
06	PD.8, USCI0_DAT0	24	PB.3, UART0_nCTS, TM3_EXT, PWM1_CH3
07	PD.9, PWM0_BRAKE1	25	PC.5, UART0_TXD, PWM1_CH5, USCI0_DAT0
08	PD.10, CLKO, BPWM0_CH5	26	PC.4, UART0_RXD, SPI0_I2SMCLK, PWM1_CH4, USCI0_DAT1
09	PD.11, INT1, BPWM0_CH4	27	PC.3, SPI0_MOSI, I2C1_SDA, PWM1_CH3, UART0_nRTS, USCI0_DAT0
10	PB.4, BPWM0_CH3, TM2_EXT, USCI0_CTL0, USCI0_DAT0	28	PC.2, SPI0_MISO, I2C1_SCL, PWM1_CH2, UART0_nCTS, USCI0_DAT1
11	PB.5, BPWM0_CH2, TM3, USCI0_CLK, USCI0_DAT1	29	PC.1, SPI0_CLK, PWM1_CH1, UART0_TXD, USCI0_CTL0
12	PB.6, BPWM0_CH1, USCI0_DAT0, USCI0_CTL1	30	PC.0, SPI0_SS, PWM1_CH0, TM2, UART0_RXD, USCI0_CLK
13	PB.7, BPWM0_CH0, USCI0_DAT1, USCI0_CTL0	31	PB.10, TM2, SPI0_I2SMCLK, PWM0_CH5
14	LDO_CAP	32	PB.9, TM1, SPI0_I2SMCLK, PWM0_CH4
15	V _{DD}	33	PE.2, INT1, TM0_EXT, I2C0_SCL, USCI0_CTL1
16	V _{SS}	34	PC.13, PWM0_CH3, CLKO, INT0, I2C0_SDA
17	USB_VBUS	35	PC.12, PWM0_CH2, SPI0_I2SMCLK, CLKO, INT0, I2C0_SCL, USCI0_CTL1
18	USB_VDD33_CAP	36	PC.11, SPI0_MOSI, PWM0_CH1, TM1, I2C0_SDA, USCI0_DAT0

37	PC.10, SPI0_MISO, PWM0_CH0, USCIO_DAT1	51	PD.2, ADC_CH2, TM3, UART0_TXD, USCIO_DAT1, SPI0_MISO
38	PE.1, STADC, CLKO, TM3, USCIO_DAT1	52	PD.3, ADC_CH3, TM1_EXT, UART0_nCTS, USCIO_DAT0, SPI0_MOSI
39	PC.9, SPI0_CLK, PWM0_CH5, PWM0_BRAKE1, USCIO_CLK	53	PD.4, ADC_CH4, BPWM1_CH5, UART0_nRTS, USCIO_CTL0, SPI0_SS
40	PC.8, STADC, SPI0_SS, PWM0_CH4, PWM1_BRAKE0, USCIO_CTL0	54	PD.5, ADC_CH5, BPWM1_CH4
41	PA.15, PWM0_CH3, SPI_I2SMCLK, CLKO, PWM1_BRAKE1, UART0_nRTS	55	PB.15, INT1, TM0_EXT, BPWM1_CH5
42	PE.0, INT0, CLKO, PWM0_CH3, TM1_EXT, USCIO_DAT0	56	PF.0, XT_OUT, BPWM1_CH3, TM3
43	PA.14, PWM0_CH2, UART0_nCTS, PWM0_BRAKE0	57	PF.1, XT_IN, BPWM1_CH2, TM1_EXT
44	PA.13, PWM0_CH1, I2C1_SDA, UART0_TXD	58	nRESET
45	PA.12, PWM0_CH0, I2C1_SCL, UART0_RXD	59	V _{SS}
46	PF.4, ICE_DAT, I2C0_SDA, UART0_TXD, PWM0_CH3	60	V _{DD}
47	PF.5, ICE_CLK, I2C0_SCL, UART0_RXD	61	PF.2, ICE_DAT, I2C0_SDA, ADC_CH6, BPWM1_CH3
48	AV _{DD}	62	PF.3, ICE_CLK, I2C0_SCL, ADC_CH7, BPWM1_CH2
49	PD.0, ADC_CH0, UART0_nRTS, USCIO_CTL0, SPI0_SS	63	V _{SS}
50	PD.1, ADC_CH1, TM0_EXT, UART0_RXD, USCIO_CLK, SPI0_CLK	64	PB.8, TM0, ADC_CH8, BPWM1_CH1

Table 2.4-1 Pin Assignment for NUC121SC2AE

2.5 NuTiny-SDK-NUC121 PCB Placement

Refer to Figure 2.5-1 for the NuTiny-SDK-NUC121 PCB placements.

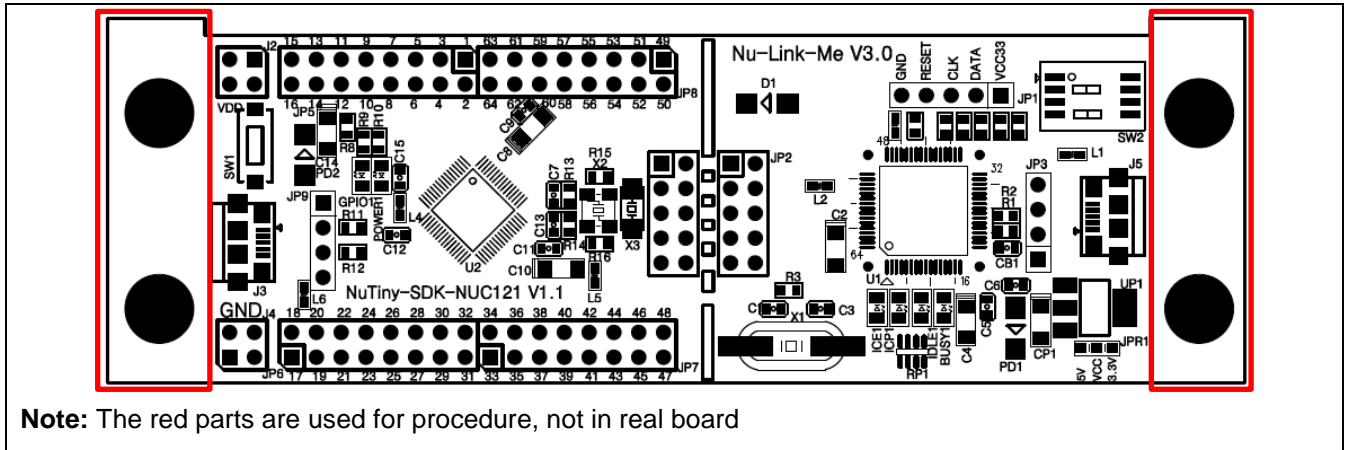


Figure 2.5-1 NuTiny-SDK-NUC121 PCB Placement

3 INTRODUCTION TO NUTINY-SDK-NUC125

NuTiny-SDK-NUC125 uses the NUC125SC2AE as the target microcontroller. Figure 3.1-1 shows the NuTiny-SDK-NUC125 for the NUC125 series, the left portion is called NuTiny-EVB-NUC125 and the right portion is Debug Adaptor called Nu-Link-Me.

NuTiny-EVB-NUC125

The NuTiny-EVB-NUC125 is similar to other development boards. It can be used to develop and verify applications to emulate the real behavior. The on-board chip covers NUC125 series features. The NuTiny-EVB-NUC125 can be a real system controller to design user's target systems.

Nu-Link-Me

- Debug Adaptor

The Nu-Link-Me Debug Adaptor connects your PC's USB port to the user's target system (via Serial Wired Debug Port) and allows user to program and debug embedded programs on the target hardware. To use Nu-Link-Me Debug adaptor with IAR or Keil, please refer to "Nuvoton NuMicro® IAR ICE driver user manual" or "Nuvoton NuMicro® Keil ICE driver user manual" in detail. These two documents will be stored in the local hard disk when user installs each driver.

- Virtual COM Port

The Nu-Link-Me also supports virtual COM port function. The Nu-Link-Me can be used as a USB to UART virtual COM port, which connects to on-board NUC125SC2AE UART0. Virtual COM port function is defaulted to off. User can turn on all of the positions of switch to enable it.

3.1 NuTiny-SDK-NUC125 (PCB Board)

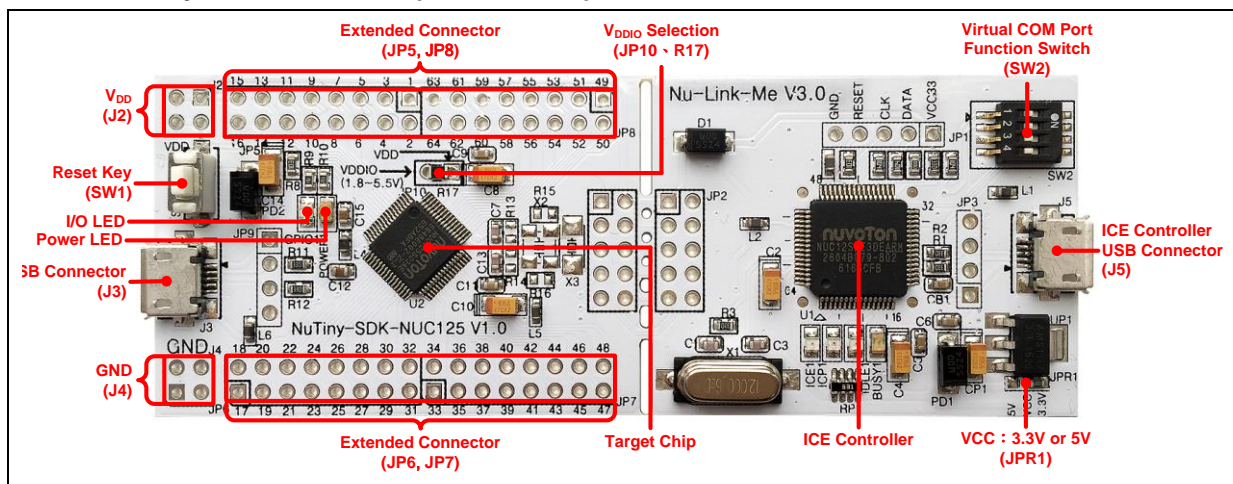


Figure 3.1-1 NuTiny-SDK-NUC125 (PCB Board)

3.2 Virtual COM Port Switch Description

The switch in Nu-Link-Me, SW2, determines that the virtual COM port function is enabled or disabled. When user turns on all of the positions of switch, the virtual COM port function will be enabled. By using virtual COM port function, user can access the USB device in the same way as it would access a standard COM port to NUC125SC2AE UART0. To use this function, user needs to install "VCOM Driver" at first. User can get "VCOM Driver" from NuMicroDVD in the folder

“Software Utilities”.

3.3 NuTiny-SDK-NUC125 Power Setting and Connector

3.3.1 Power Setting

- J2: V_{DD} Voltage connector in NuTiny-EVB-NUC125
- J3: USB port in NuTiny-EVB-NUC125
- J5: USB port in Nu-Link-Me

Model	JPR1	J2 V_{DD}	J3 USB port	J5 ICE USB port	MCU Voltage
Model 1	Select 3.3V (default)	DC 3.3V Output	X	Connect to PC	DC 3.3V
Model 2	Select 5V	DC 5V Output	X	Connect to PC	DC 5V
Model 3	Select 3.3V or 5V	DC 5V Output	Connect to PC	Connect to PC	DC 5V
Model 4*	X	DC 5V Output	Connect to PC	X	DC 5V
Model 5	Select 3.3V or 5V	DC 2.5V ~ 5.5V Input	X	Connect to PC	Voltage by J2 input
Model 6*	X	DC 2.5V ~ 5.5V Input	X	X	Voltage by J2 input

X: Unused

Note *: Need to separate NuTiny-EVB-NUC125 and Nu-Link-Me

3.3.2 V_{DDIO} Selection

- R17: 0Ω resistor, to connect V_{DDIO} with V_{DD}
- JP10: User can input external power from 1.8V ~ 5.5V to V_{DDIO} for V_{DDIO} power domain

V_{DDIO} Input	R17	JP10	Description
V_{DD} (default)	0Ω	X	V_{DDIO} power domain is the same as V_{DD}
External Power (1.8V ~ 5.5V)	X	V_{DDIO} side connects to external power	V_{DDIO} power domain is based on external power (from 1.8V ~ 5.5V)

X: Unused

Note: PA.10, PA.11, PB.4 ~ PB.7, PB.12 ~ PB.14 and PD.8 ~ 11 belong to V_{DDIO} power domain

3.3.3 Debug Connector

- JP4: Connector in target board (NuTiny-EVB-NUC125) for connecting with Nuvoton ICE adaptor (Nu-Link-Me)
- JP2: Connector in ICE adaptor (Nu-Link-Me) for connecting with a target board (NuTiny-EVB-NUC125)

3.3.4 USB Connector

- J3: Micro USB Connector in NuTiny-EVB-NUC125 for application use
- J5: Micro USB Connector in Nu-Link-Me connected to a PC USB port

3.3.5 Extended Connector

- JP5, JP6, JP7 and JP8: Show all chip pins in NuTiny-EVB-NUC125

3.3.6 Reset Button

- SW1: Reset button in NuTiny-EVB-NUC125

3.3.7 Power Connector

- J2: V_{DD} connector in NuTiny-EVB-NUC125
- J4: GND connector in NuTiny-EVB-NUC125

3.3.8 Virtual COM Port Function Switch

- SW2: Switch ON/OFF to enable or disable Nu-Link-Me virtual COM port function.

Function	Switch				Description
	1	2	3	4	
Enable	ON	ON	ON	ON	Enable Nu-Link-Me virtual COM port function
Disable	OFF	OFF	OFF	OFF	Disable Nu-Link-Me virtual COM port function

3.3.9 Crystal Selection

- X1: Used for 4 ~ 24 MHz crystal
- X2: Used for 32.768 kHz crystal

Crystal Selection	X2	X3	R13	R14	R15	R16
Crystal-less (default)	X	X	NC	NC	NC	NC
4 ~ 24 MHz	V	X	0Ω	0Ω	NC	NC
32.768 kHz	X	V	NC	NC	0Ω	0Ω

X: Unused

V: Used

3.4 Pin Assignment for Extended Connector

The NuTiny-EVB-NUC125 provides NUC125SC2AE on board and the extended connector for LQFP-64 pin. Table 3.4-1 is the pin assignment for NUC125SC2AE.

Pin No	Pin Function	Pin No	Pin Function
01	PB.14, INT0, UART0_nRTS, ADC_CH9, BPWM1_CH0, SPI0_SS	19	USB_D-
02	PB.13, ADC_CH10, USCI0_CTL1	20	USB_D+
03	PB.12, CLKO, ADC_CH11, USCI0_CTL0	21	PB.0, UART0_RXD, PWM1_CH0
04	PA.11, I2C1_SCL, BPWM0_CH5, TM0, USCI0_CLK, USCI0_DAT0	22	PB.1, UART0_TXD, PWM1_CH1
05	PA.10, I2C1_SDA, BPWM0_CH4, PWM0_BRAKE0, USCI0_DAT1	23	PB.2, UART0_nRTS, TM2_EXT, PWM1_CH2
06	PD.8, USCI0_DAT0	24	PB.3, UART0_nCTS, TM3_EXT, PWM1_CH3
07	PD.9, PWM0_BRAKE1	25	PC.5, UART0_TXD, PWM1_CH5, USCI0_DAT0
08	PD.10, CLKO, BPWM0_CH5	26	PC.4, UART0_RXD, SPI0_I2SMCLK, PWM1_CH4, USCI0_DAT1
09	PD.11, INT1, BPWM0_CH4	27	PC.3, SPI0_MOSI, I2C1_SDA, PWM1_CH3, UART0_nRTS, USCI0_DAT0
10	PB.4, BPWM0_CH3, TM2_EXT, USCI0_CTL0, USCI0_DAT0	28	PC.2, SPI0_MISO, I2C1_SCL, PWM1_CH2, UART0_nCTS, USCI0_DAT1
11	PB.5, BPWM0_CH2, TM3, USCI0_CLK, USCI0_DAT1	29	PC.1, SPI0_CLK, PWM1_CH1, UART0_TXD, USCI0_CTL0
12	PB.6, BPWM0_CH1, USCI0_DAT0, USCI0_CTL1	30	PC.0, SPI0_SS, PWM1_CH0, TM2, UART0_RXD, USCI0_CLK
13	PB.7, BPWM0_CH0, USCI0_DAT1, USCI0_CTL0	31	PB.10, TM2, SPI0_I2SMCLK, PWM0_CH5
14	LDO_CAP	32	PB.9, TM1, SPI0_I2SMCLK, PWM0_CH4
15	V _{DD}	33	PE.2, INT1, TM0_EXT, I2C0_SCL, USCI0_CTL1
16	V _{SS}	34	PC.13, PWM0_CH3, CLKO, INT0, I2C0_SDA
17	USB_VBUS	35	PC.12, PWM0_CH2, SPI0_I2SMCLK, CLKO, INT0, I2C0_SCL, USCI0_CTL1
18	USB_VDD33_CAP	36	PC.11, SPI0_MOSI, PWM0_CH1, TM1, I2C0_SDA, USCI0_DAT0

37	PC.10, SPI0_MISO, PWM0_CH0, USCIO_DAT1	51	PD.2, ADC_CH2, TM3, UART0_TXD, USCIO_DAT1, SPI0_MISO
38	PE.1, STADC, CLKO, TM3, USCIO_DAT1	52	PD.3, ADC_CH3, TM1_EXT, UART0_nCTS, USCIO_DAT0, SPI0_MOSI
39	PC.9, SPI0_CLK, PWM0_CH5, PWM0_BRAKE1, USCIO_CLK	53	PD.4, ADC_CH4, BPWM1_CH5, UART0_nRTS, USCIO_CTL0, SPI0_SS
40	PC.8, STADC, SPI0_SS, PWM0_CH4, PWM1_BRAKE0, USCIO_CTL0	54	PD.5, ADC_CH5, BPWM1_CH4
41	PA.15, PWM0_CH3, SPI_I2SMCLK, CLKO, PWM1_BRAKE1, UART0_nRTS	55	PB.15, INT1, TM0_EXT, BPWM1_CH5
42	PE.0, INT0, CLKO, PWM0_CH3, TM1_EXT, USCIO_DAT0	56	PF.0, XT_OUT, BPWM1_CH3, TM3
43	PA.14, PWM0_CH2, UART0_nCTS, PWM0_BRAKE0	57	PF.1, XT_IN, BPWM1_CH2, TM1_EXT
44	PA.13, PWM0_CH1, I2C1_SDA, UART0_TXD	58	nRESET
45	PA.12, PWM0_CH0, I2C1_SCL, UART0_RXD	59	V _{SS}
46	PF.4, ICE_DAT, I2C0_SDA, UART0_TXD, PWM0_CH3	60	V _{DD}
47	PF.5, ICE_CLK, I2C0_SCL, UART0_RXD	61	PF.2, ICE_DAT, I2C0_SDA, ADC_CH6, BPWM1_CH3
48	AV _{DD}	62	PF.3, ICE_CLK, I2C0_SCL, ADC_CH7, BPWM1_CH2
49	PD.0, ADC_CH0, UART0_nRTS, USCIO_CTL0, SPI0_SS	63	V _{SS}
50	PD.1, ADC_CH1, TM0_EXT, UART0_RXD, USCIO_CLK, SPI0_CLK	64	V _{DDIO}

Table 3.4-1 Pin Assignment for NUC125SC2AE

3.5 NuTiny-SDK-NUC125 PCB Placement

Refer to Figure 3.5-1 for the NuTiny-SDK-NUC121 PCB placements.

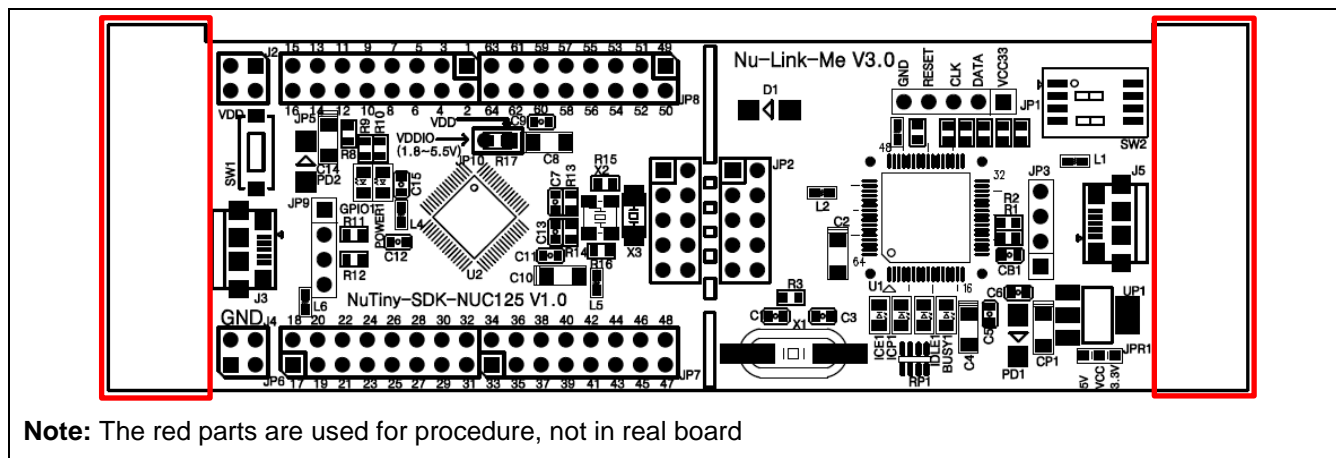


Figure 3.5-1 NuTiny-SDK-NUC125 PCB Placement

4 HOW TO START NUTINY-SDK-NUC121/125 ON THE KEIL UVISION® IDE

4.1 Downloading and Installing Keil µVision® IDE Software

Please connect to the Keil company website (<http://www.keil.com>) to download the Keil µVision® IDE and install the RVMDK.

4.2 Downloading and Installing Nuvoton Nu-Link Driver

Please connect to Nuvoton NuMicro® website (<http://www.nuvoton.com/NuMicro>) to download the “NuMicro® Keil µVision® IDE driver” file. Please refer to section 7.1 for the detailed download flow. After the Nu-Link driver is downloaded, please unzip the file and execute the “Nu-Link_Keil_Driver.exe” to install the driver.

4.3 Hardware Setup

The hardware setup is shown as Figure 4.3-1.



Figure 4.3-1 NuTiny-SDK-NUC121/125 Hardware Setup

4.4 Example Program

This example demonstrates downloading and debugging an application on a NuTiny-SDK-NUC121/125 board. The example file can be downloaded from Nuvoton NuMicro® website and found in the directory list shown in Figure 4.4-1.

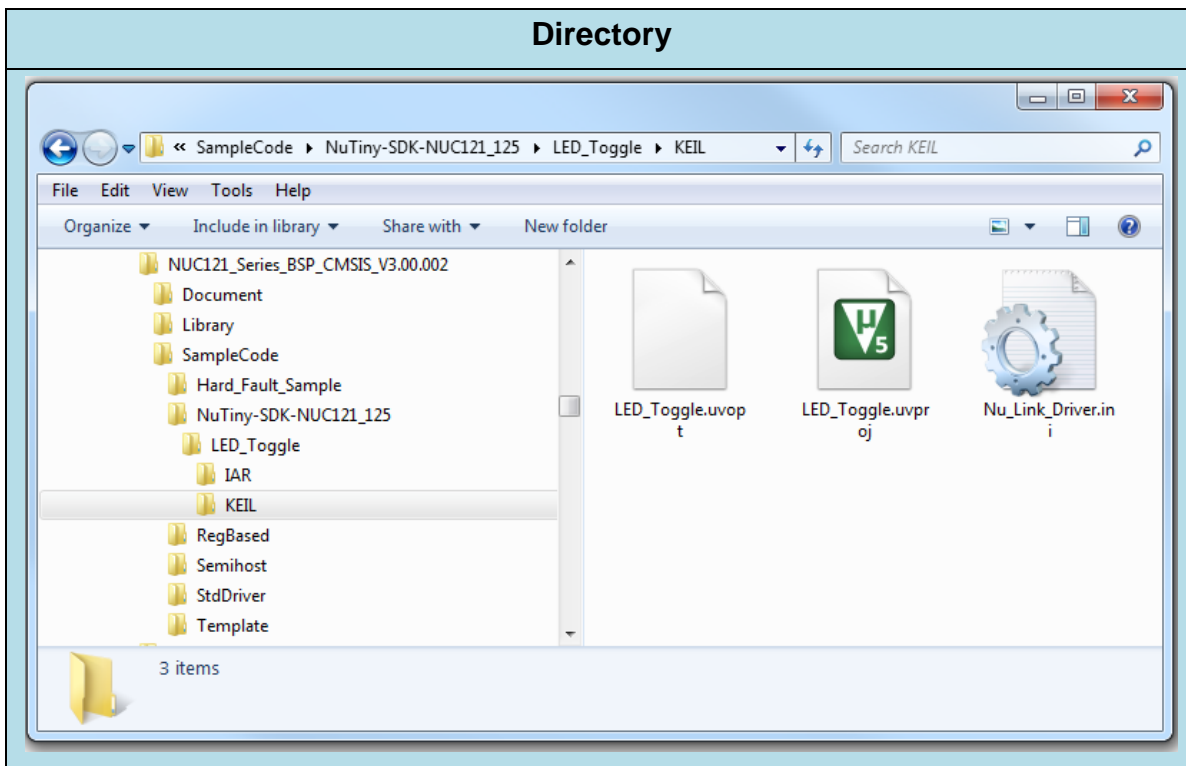
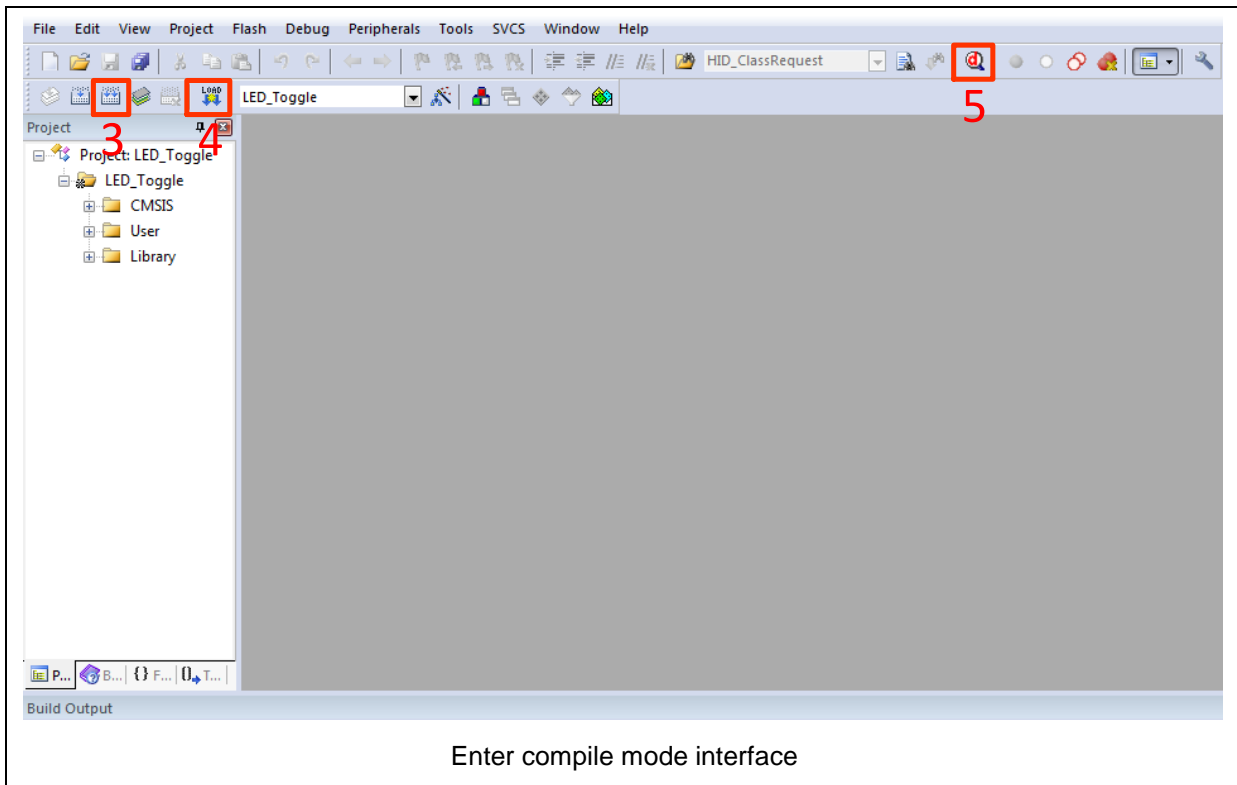





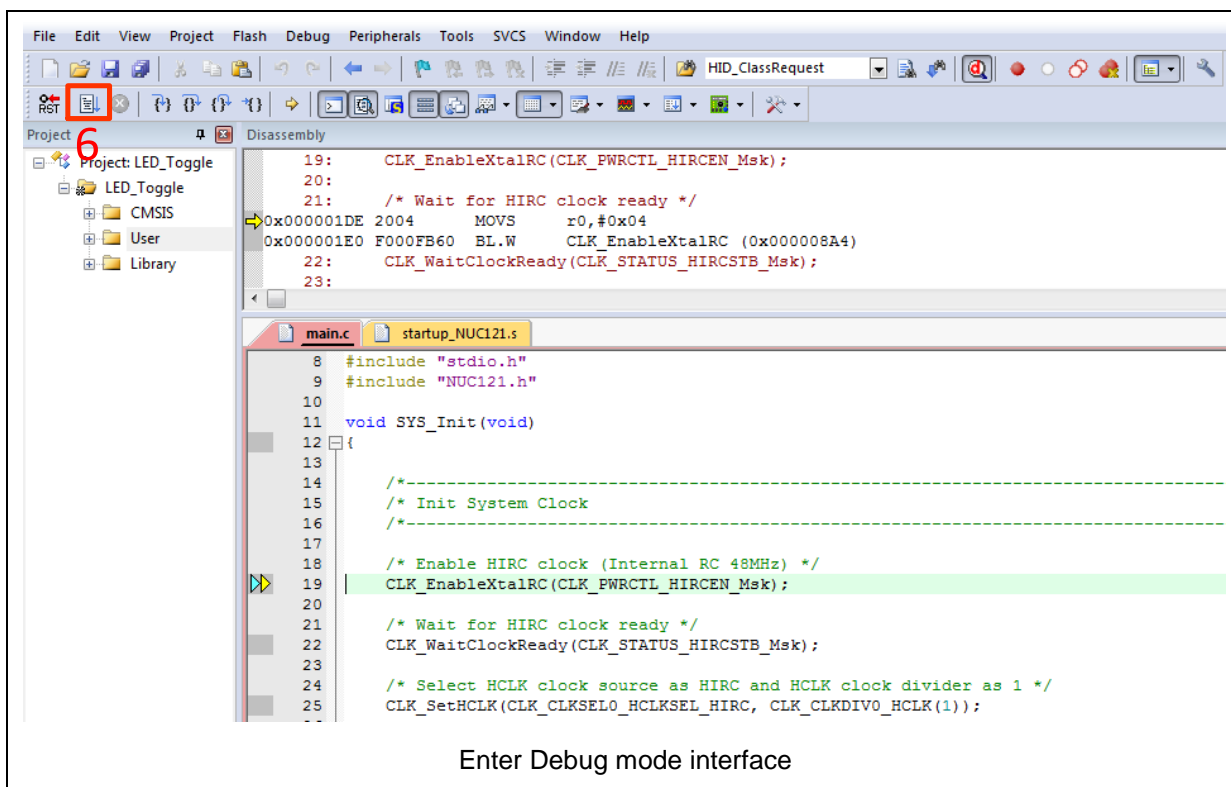
Figure 4.4-1 Example Directory

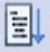
To use this example:

1. Open a project from the BSP installation folder (default as C:\Nuvoton) using the following path:
 \NUC121_Series_BSP_CMSIS_V3.xx.xxx\SampleCode\NuTiny-SDK-NUC121_125\LED_Toggle\KEIL
2. Execute “**LED_Toggle.uvproj**”



3.  Compile
4.  Download the program code to Flash
5.  Enter / Exit Debug mode



6.  Execute the program
7. The I/O LED on the NuTiny-EVB-NUC121/125 board will be toggled on.

5 HOW TO START NUTINY-SDK-NUC121/125 ON THE IAR EMBEDDED WORKBENCH

5.1 Downloading and Installing IAR Embedded Workbench Software

Please connect to IAR company website (<http://www.iar.com>) to download the IAR Embedded Workbench and install the EWARM.

5.2 Downloading and Installing Nuvoton Nu-Link Driver

Please connect to Nuvoton NuMicro® website (<http://www.nuvoton.com/NuMicro>) to download the “NuMicro® IAR EWARM Driver” file. Please refer to section 7.2 for the detailed download flow. After the Nu-Link driver is downloaded, please unzip the file and execute the “Nu-Link_IAR_Driver.exe” to install the driver.

5.3 Hardware Setup

The hardware setup is shown as Figure 5.3-1.

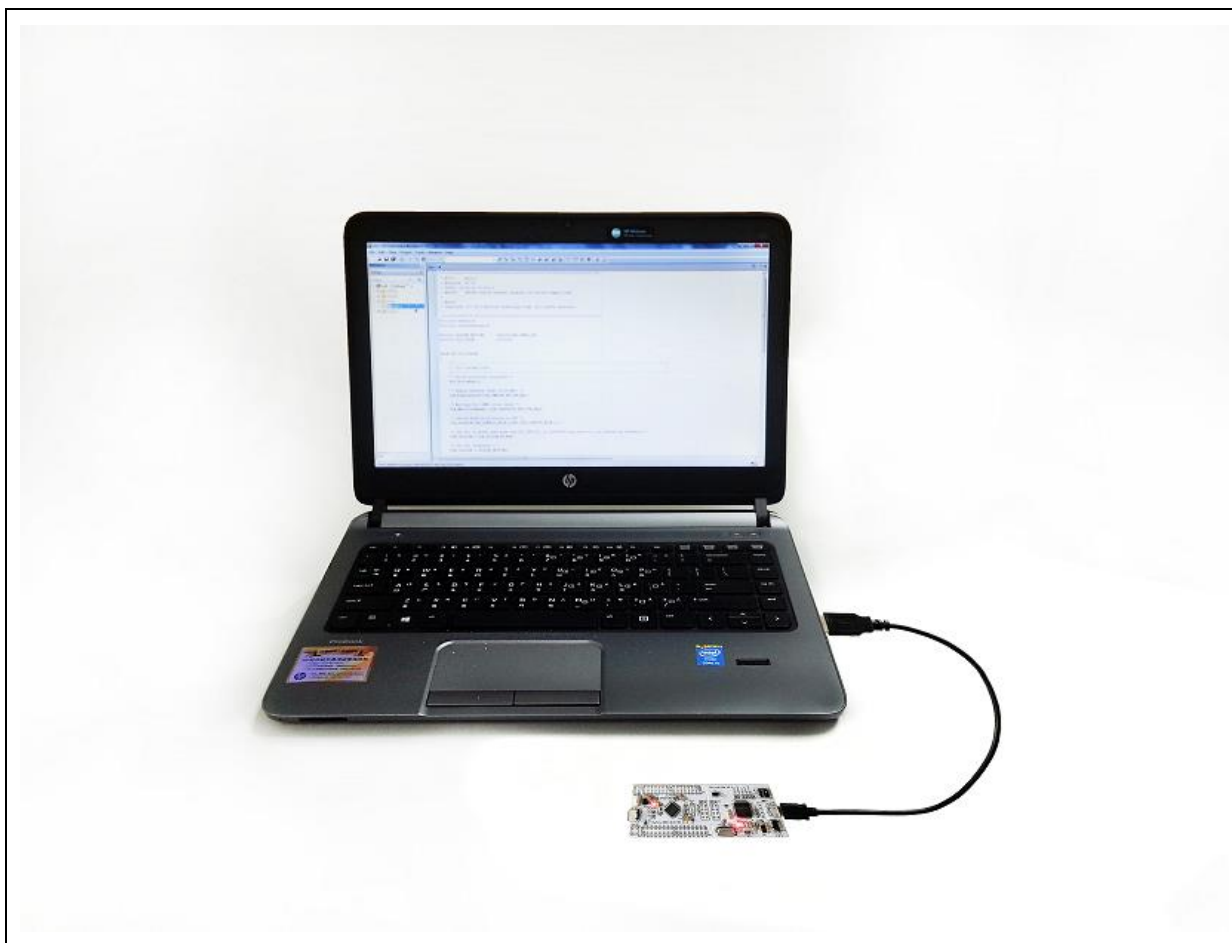


Figure 5.3-1 NuTiny-SDK-NUC121/125 Hardware Setup

5.4 Example Program

This example demonstrates downloading and debugging an application on a NuTiny-SDK-NUC121/125 board. The example file can be downloaded from Nuvoton NuMicro® website and found in the directory list shown in Figure 5.4-1.

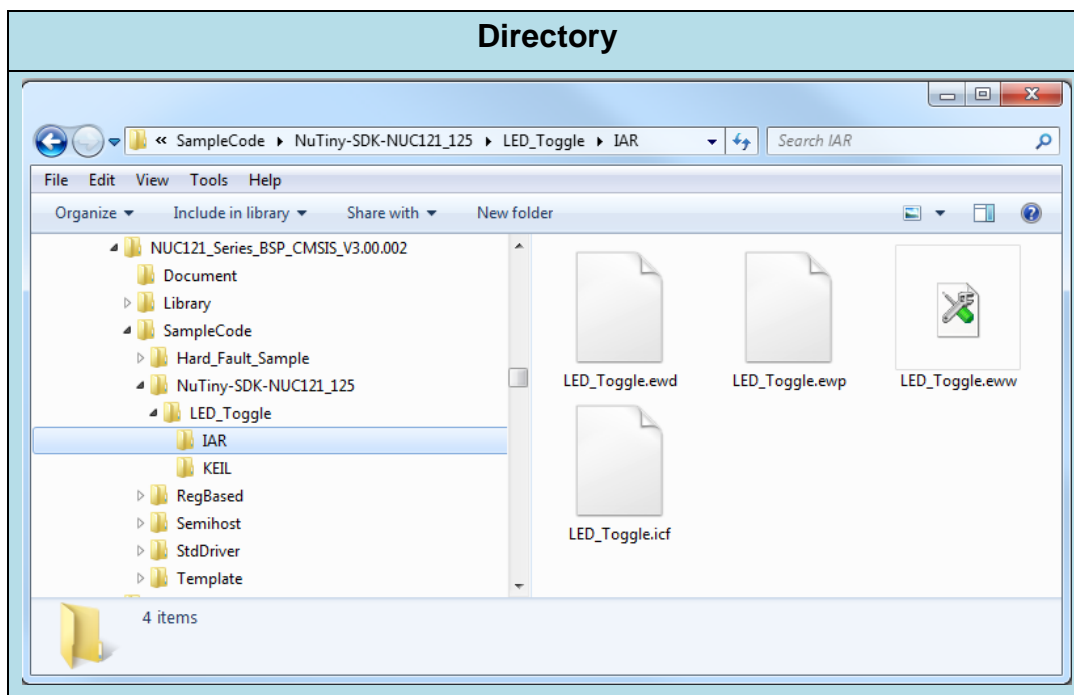
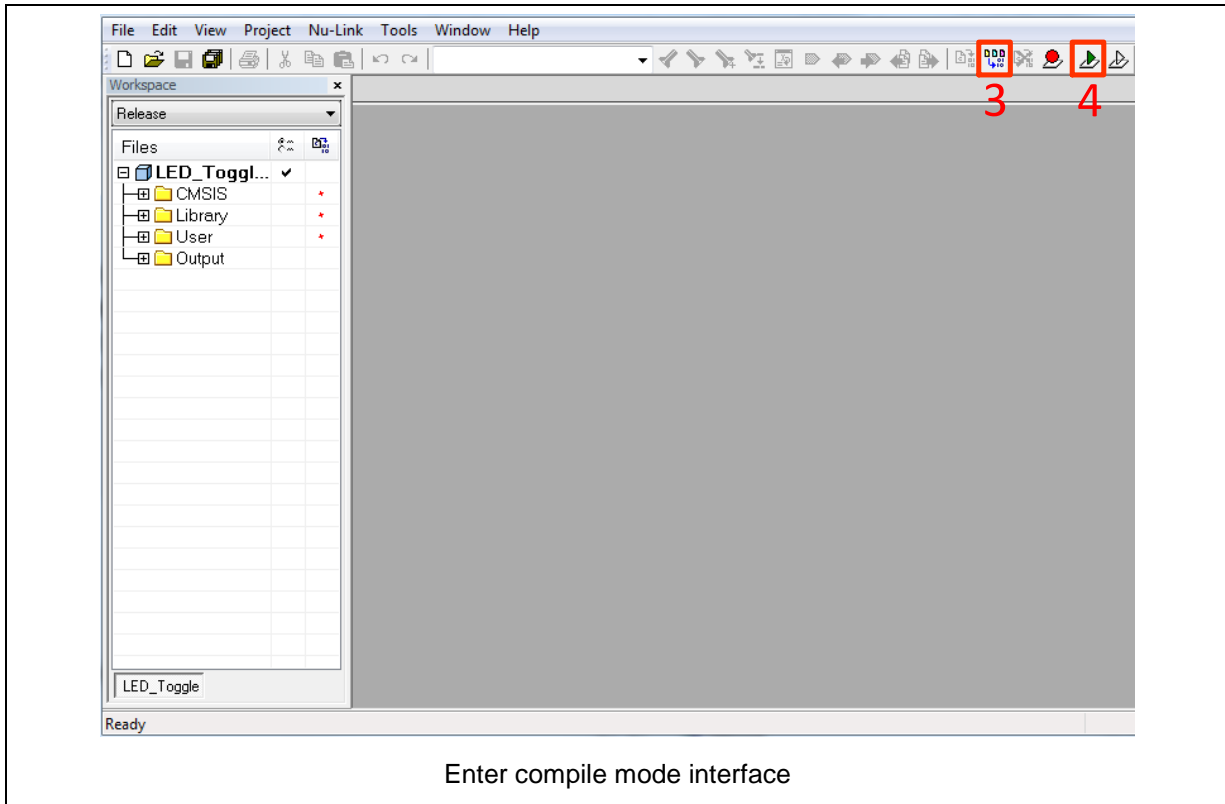




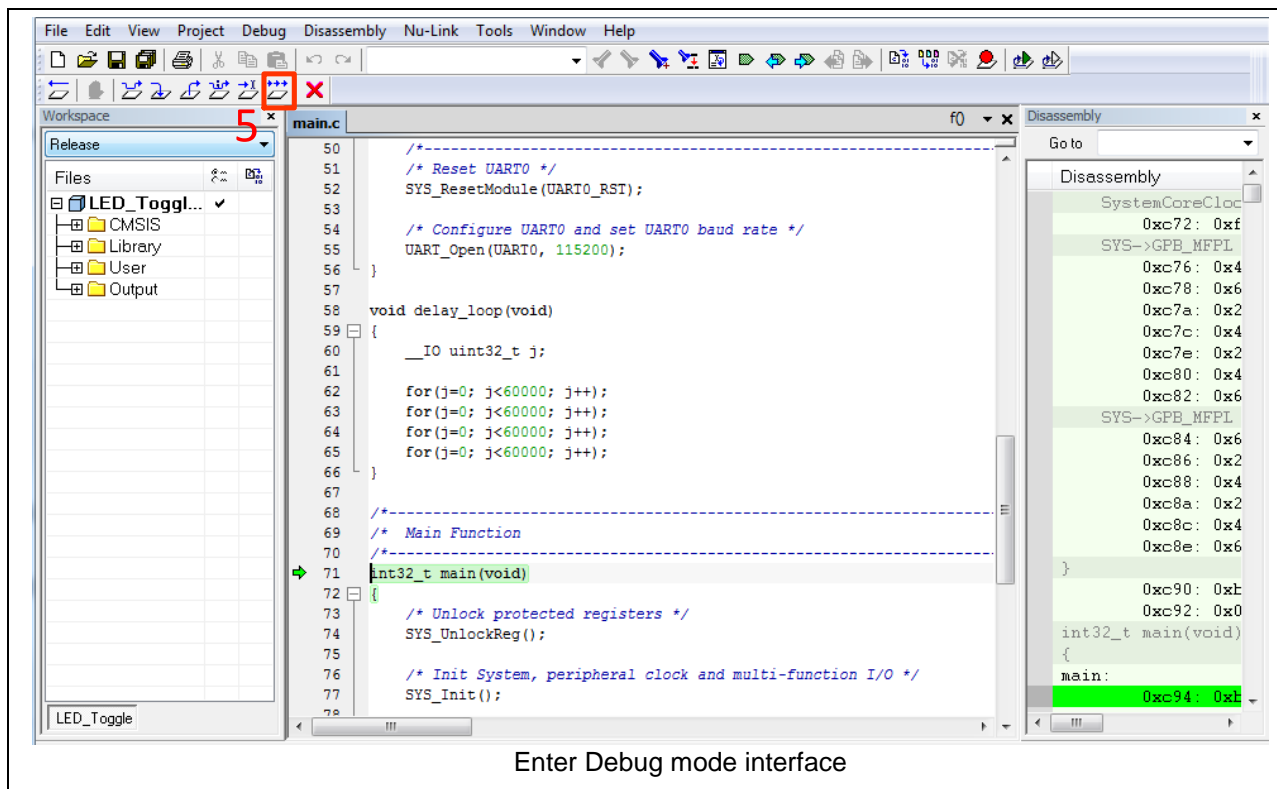
Figure 5.4-1 Example Directory

To use this example:

1. Open a project from the BSP installation folder (default as C:\Nuvoton) using the following path:
 \NUC121_Series_BSP_CMSIS_V3.xx.xxx\SampleCode\NuTiny-SDK-NUC121_125\LED_Toggle\IAR
2. Execute “**LED_Toggle.eww**”



3.  Compile and make
4.  Download the program code to Flash and Enter Debug mode



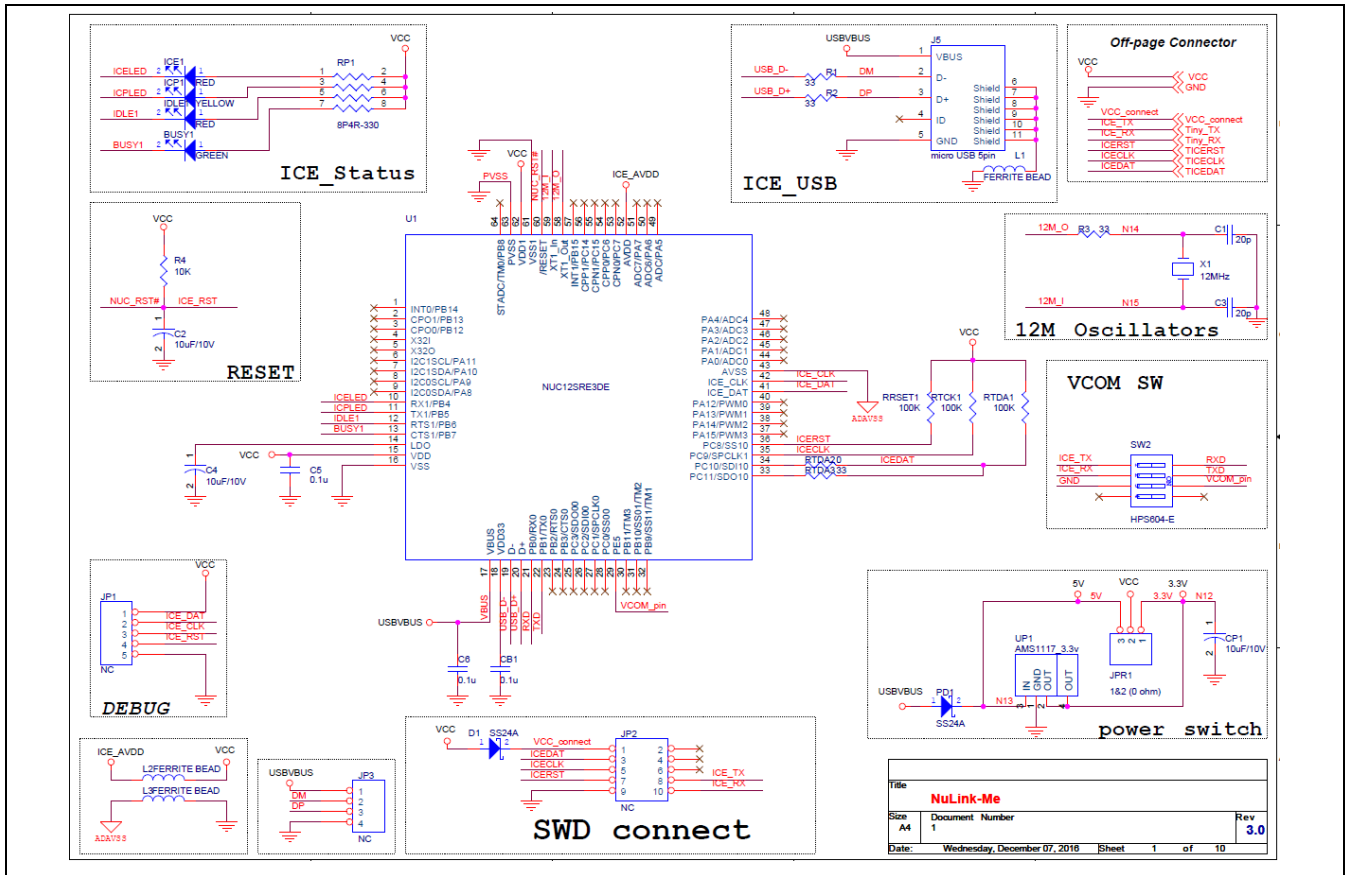
Enter Debug mode interface

5.  Execute the program
6. The I/O LED on the NuTiny-EVB-NUC121/125 board will be toggled on.

6 SCHEMATICS

6.1 NuTiny-SDK-NUC121

6.1.1 Nu-Link-Me Schematic



Title		
NuLink-Me		
Size	Document Number	Rev
A4	1	3.0
Date:	Wednesday, December 07, 2016	Sheet 1 of 10

NU-TINY-SDK-NUC121/125 USER MANUAL

6.1.2 SDK Circuit Schematic

Crystal Selection

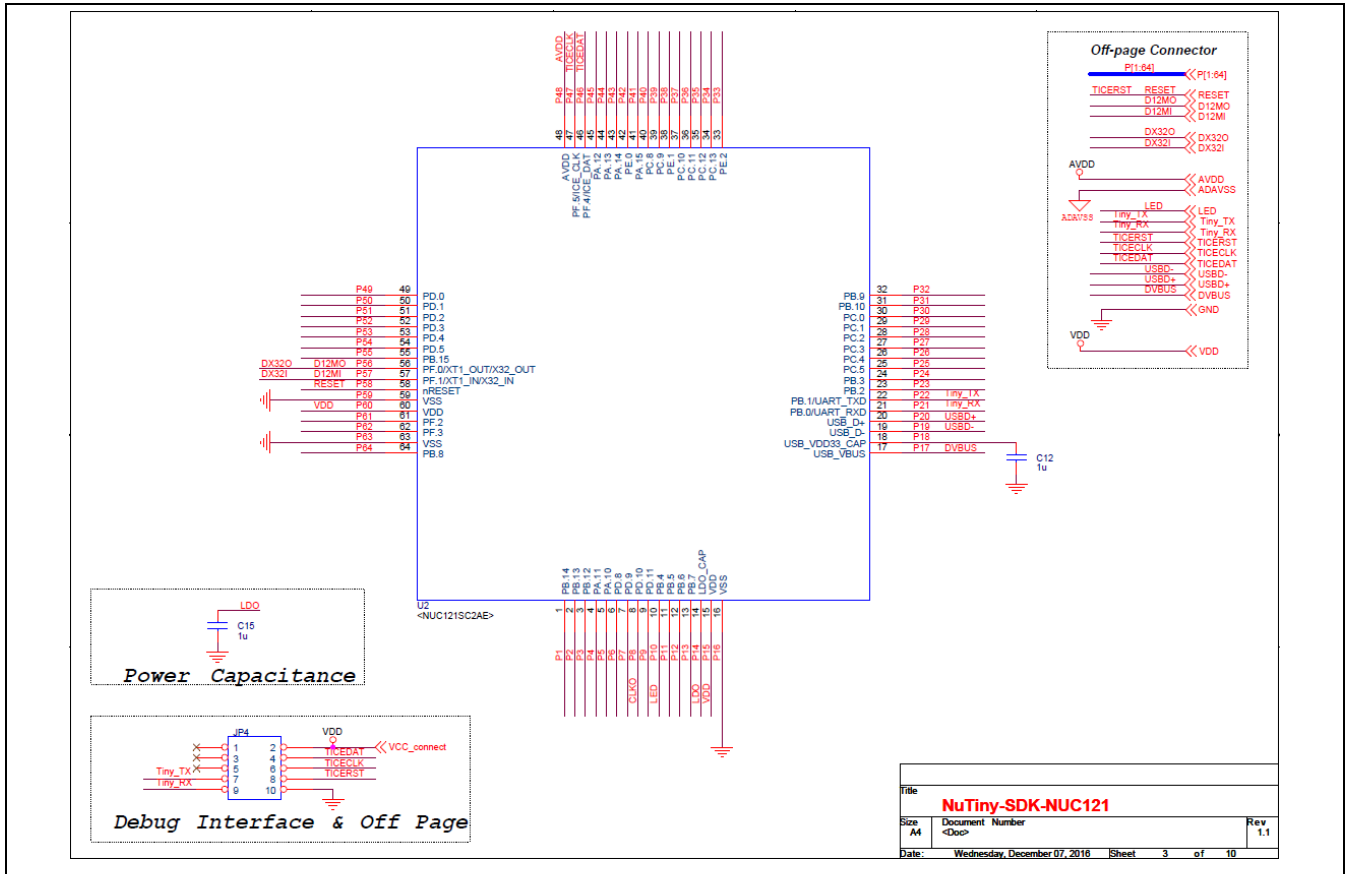
	X2	X3	R13	R14	R15	R16
Crystal-less (Default)	X	X	NC	NC	NC	NC
12 MHz	V	X	0Ω	0Ω	NC	NC
32.768 kHz	X	V	NC	NC	0Ω	0Ω

Off-page Connector

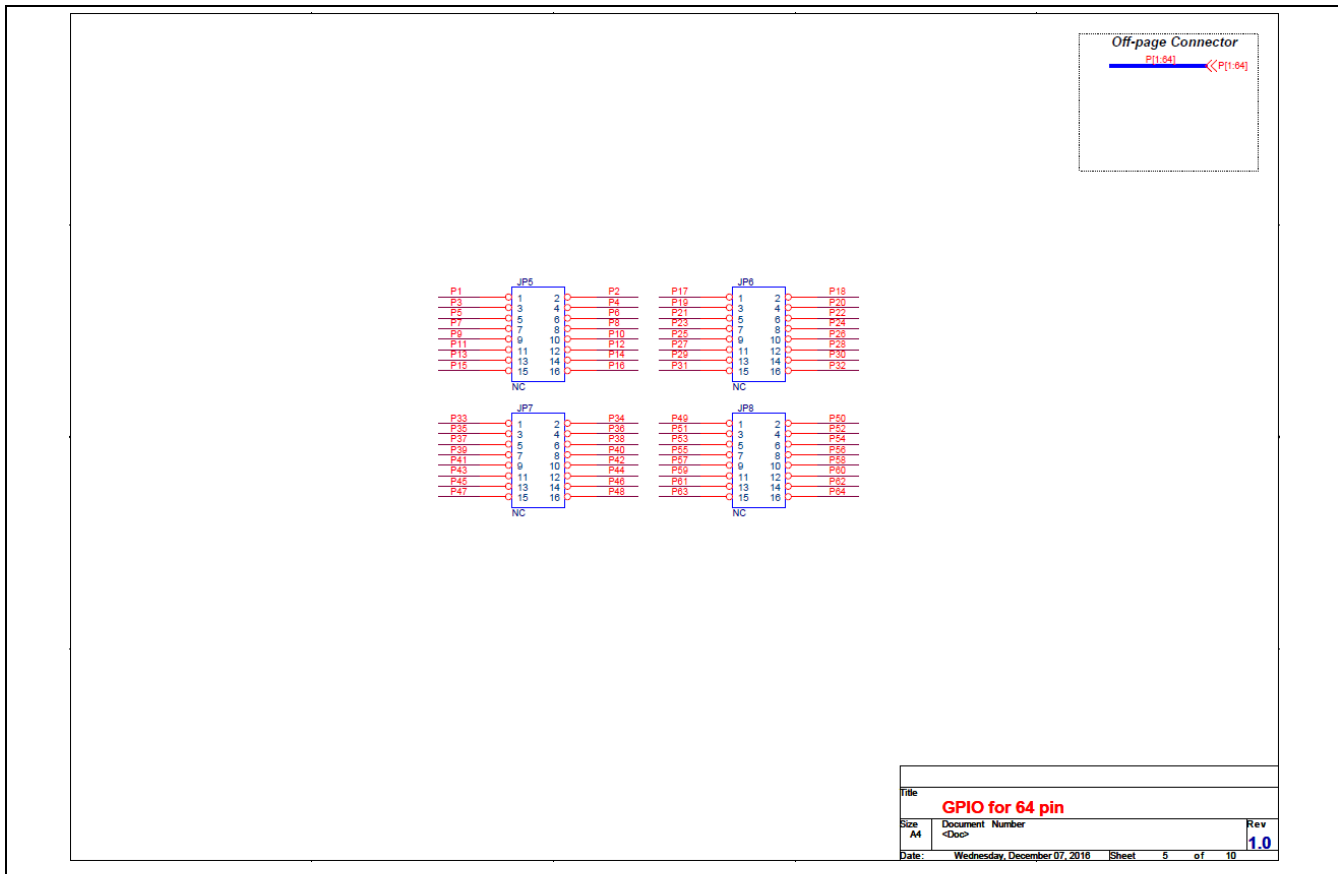
Pin 1: P1:641

- Pin 2: D12MO, D12MI
- Pin 3: DX320, DX321
- Pin 4: AVDD
- Pin 5: AVDD, ADAVSS
- Pin 6: LED, TIGERST
- Pin 7: LED, RESET
- Pin 8: USBD-, USBD+
- Pin 9: DVBUS, DVBUS
- Pin 10: VDD

6.1.3 NuTiny-EVB-NUC121 Schematic

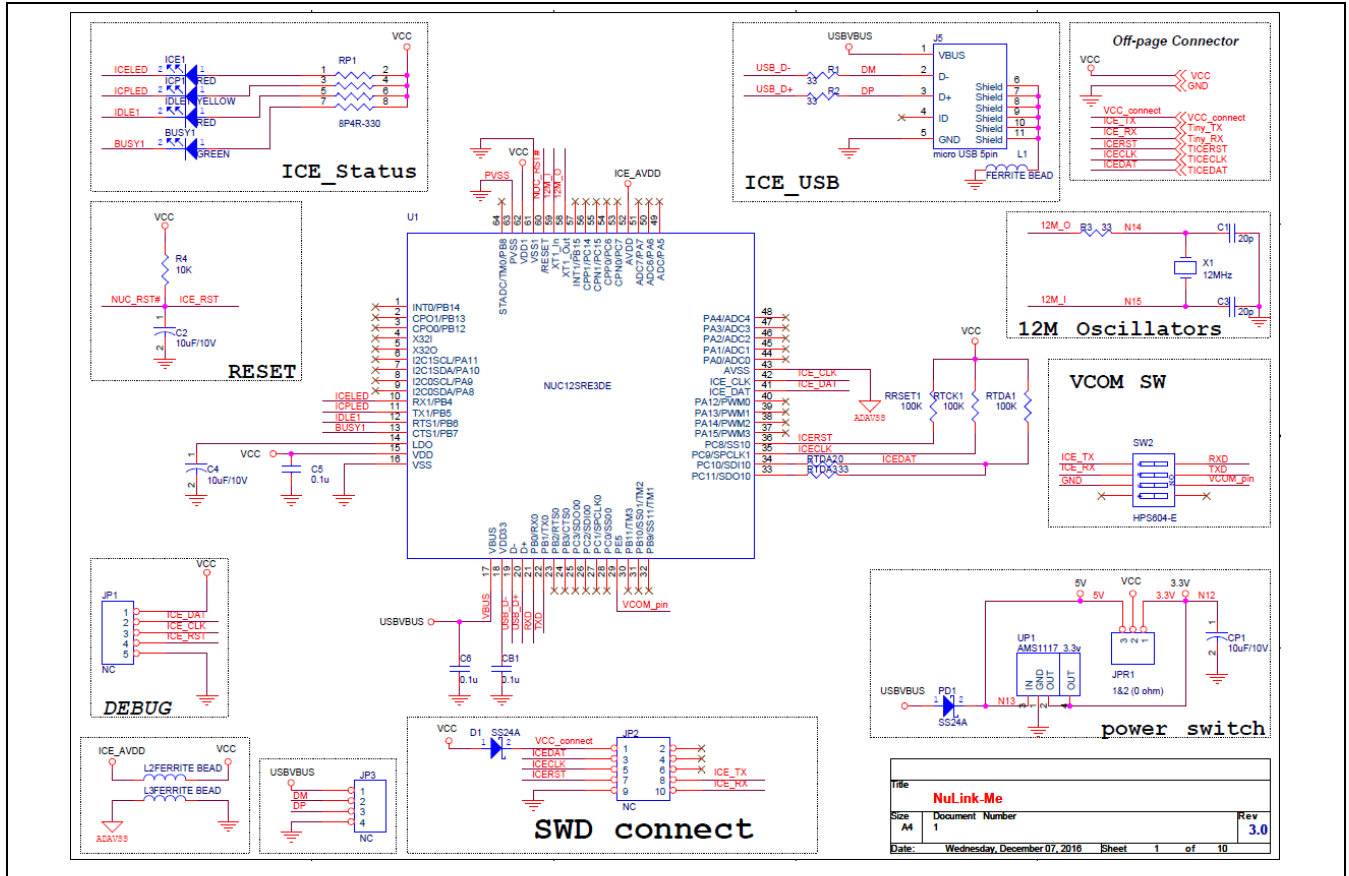


6.1.4 GPIO for 64 pin Schematic

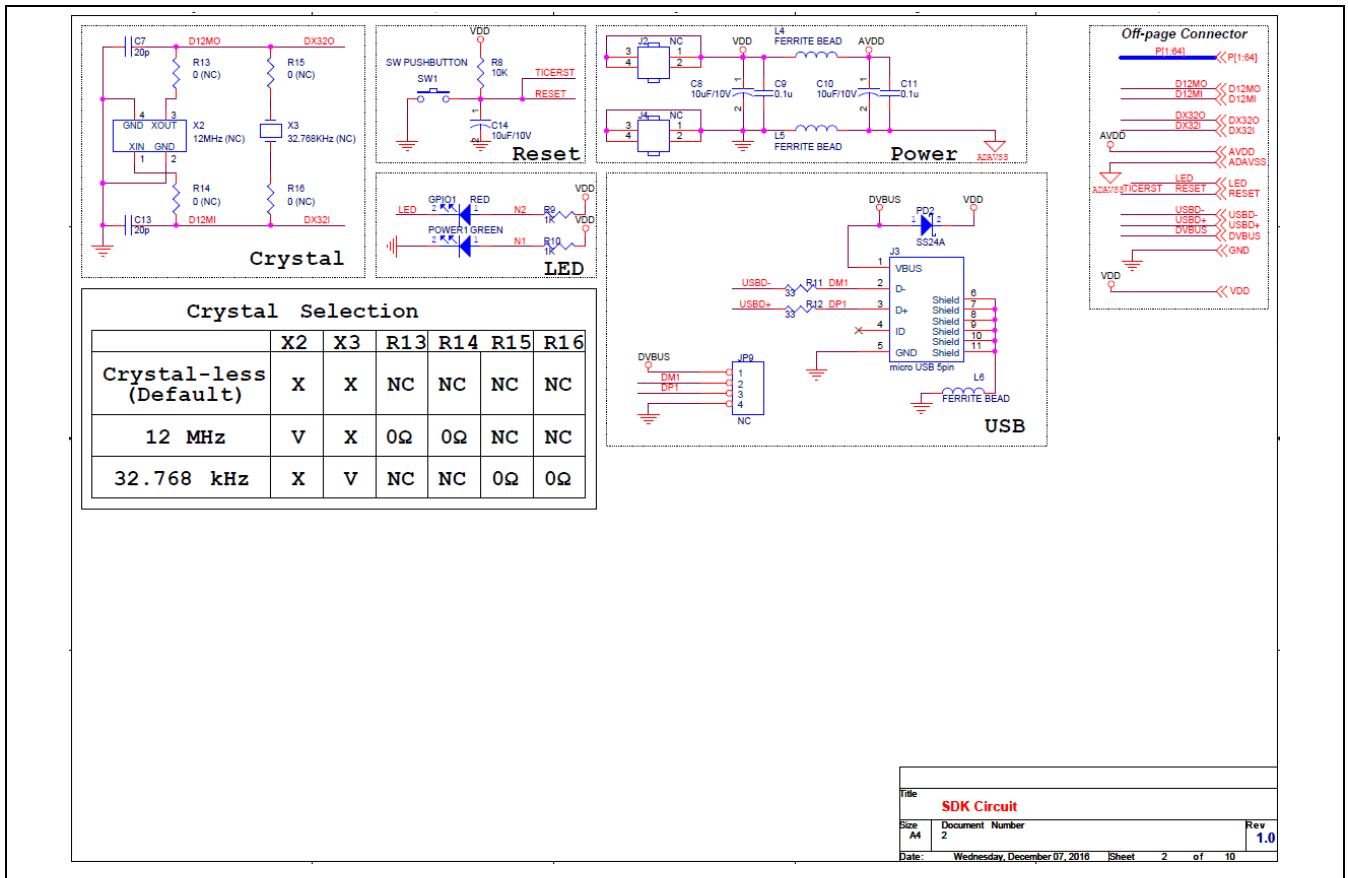


6.2 NuTiny-SDK-NUC125

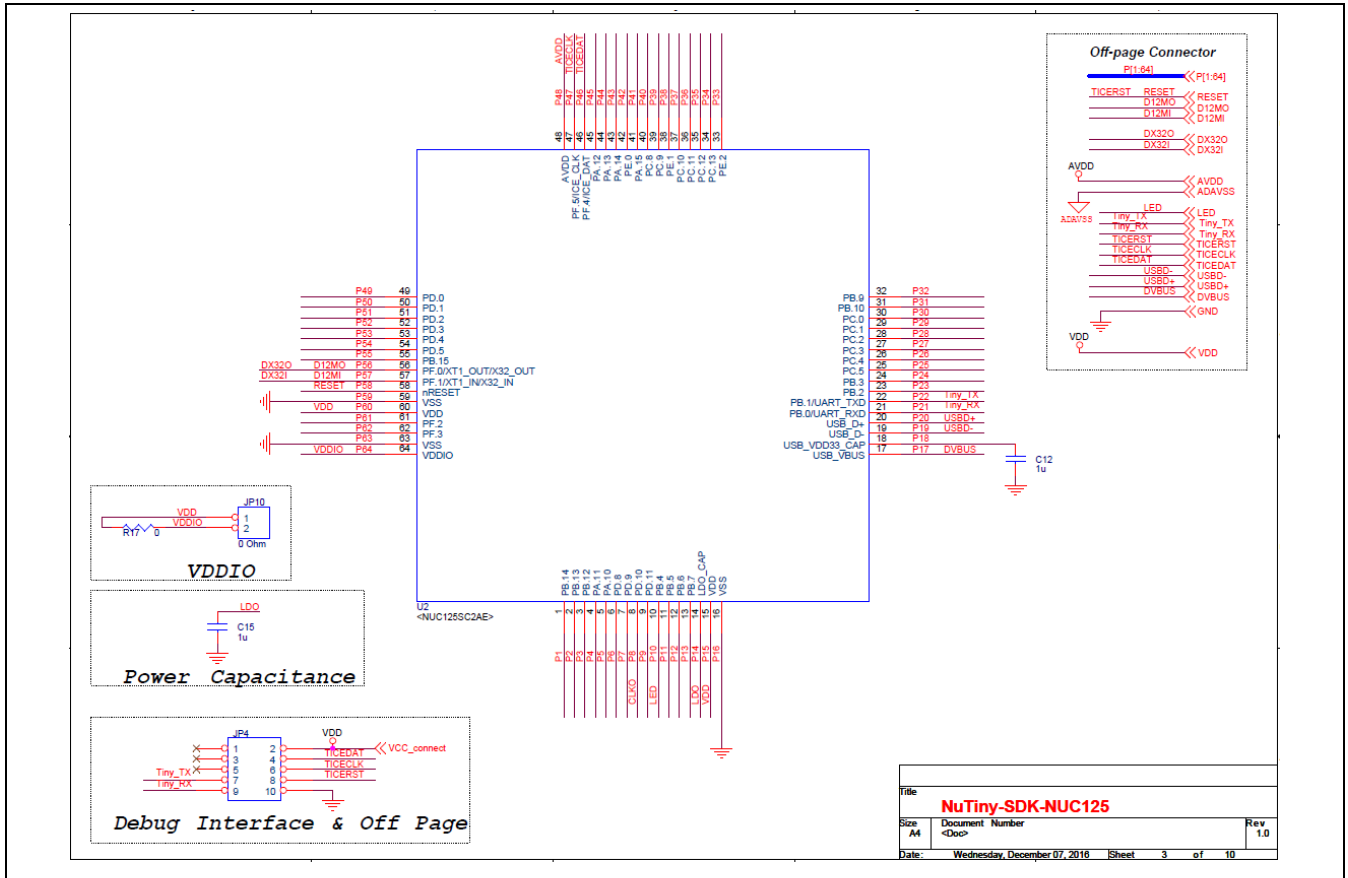
6.2.1 Nu-Link-Me Schematic



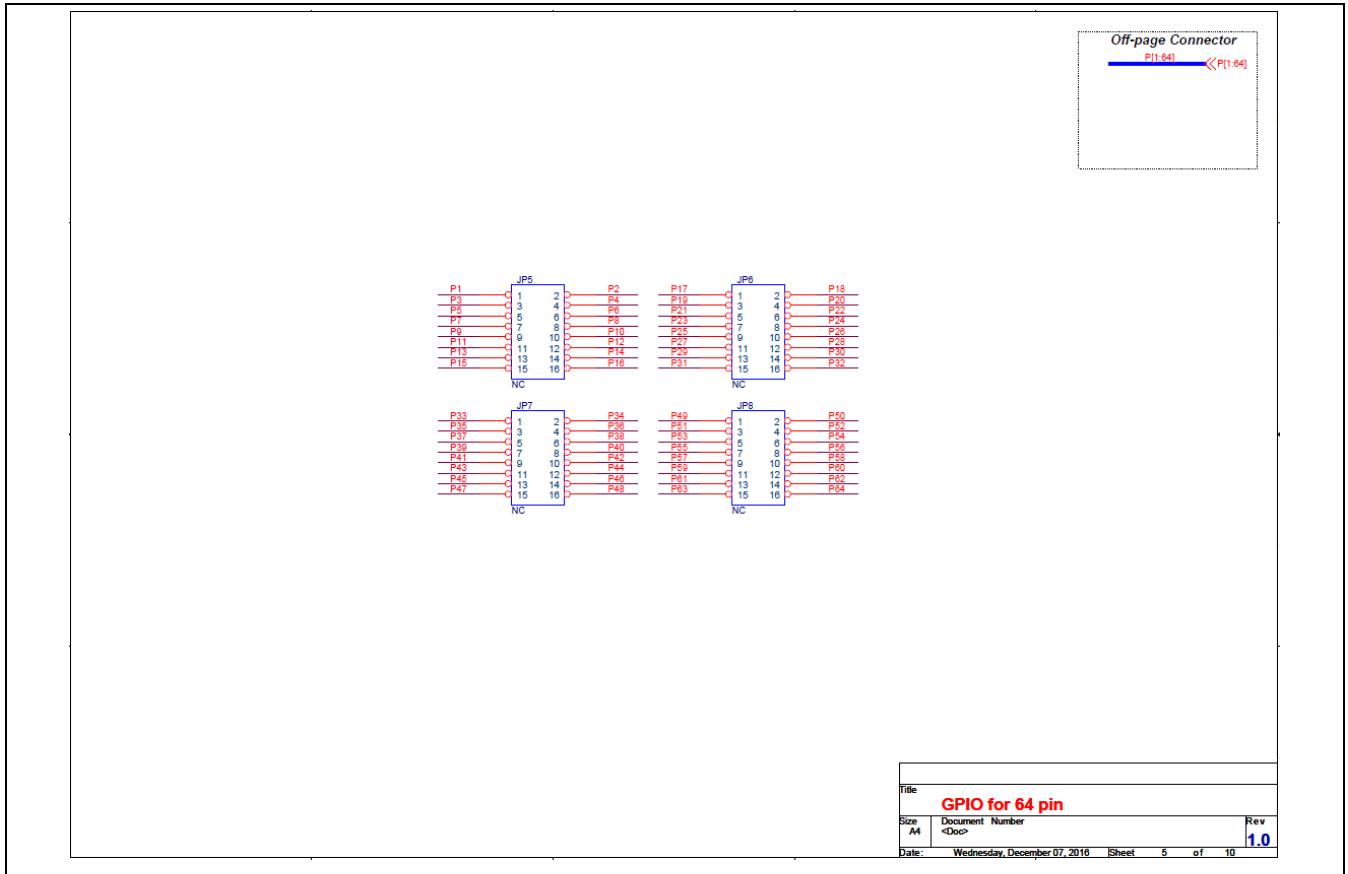
6.2.2 SDK Circuit Schematic



6.2.3 NuTiny-EVB-NUC125 Schematic



6.2.4 GPIO for 64 pin Schematic



7 DOWNLOADING NUMICRO[®] RELATED FILES FROM NUVOTON WEBSITE

7.1 Downloading NuMicro[®] Keil μ Vision[®] IDE Driver

Step1 Visit the Nuvoton NuMicro[®] website: <http://www.nuvoton.com/NuMicro>.

Step2

The screenshot shows the Nuvoton NuMicro website interface. At the top, there is a navigation bar with 'Products', 'Applications', 'Support', 'Foundry Service', 'Buy', 'myNuvoton', and 'About Nuvoton'. The 'Support' menu is expanded, showing options like 'Learning', 'Product Related Information', 'Tool & Software', 'Reference Design', 'FAQ', 'Sales Support', and 'Technical Support'. A yellow oval highlights the 'Support' menu item with the text '2-1. Move to "Support"'. Another yellow oval highlights the 'Tool & Software' sub-menu item with the text '2-2. Click here to enter Tool & Software'. Below the navigation bar, there is a breadcrumb trail: 'Home > Products > Microcontrollers > ARM Cortex'. The main content area features a product matrix for ARM Cortex-M0 MCUs, with various series like AU9110, M051, NUC100, Nano120, NUC120, NUC230, AU9120*, NUC220, NUC240, NUC140, NUC130, M051, NUC122, NUC123, Nano102, Nano112, and Mini51. The matrix is organized by memory size (64K, 32K, 16K) and application areas (Industrial Control, Low Power, USB Application, Automotive Application, Audio Application). A 'Developing' label is present for the Mini51 series. On the right side, there is a featured product section for 'NuMicro M4 MCU NUC472 with Ethernet MAC' and an 'Online Support' section with links for 'Online Training', 'Forum', and 'FAQ'. Below that, there is a 'Featured Products' section listing 'M0516LDE', 'MINI54FDE', and 'NANO130KE3BN'. A 'Featured Videos' section shows a video titled 'M0 Introduction(06:35)'. At the bottom, there is a 'Featured Applications' section.

As one of the leading Microcontroller (MCU) companies in the world, Nuvoton provides the state-

Register | Login | Language

Parametric Search

News | Events | CSR | Human Resources | Investors | Contact Us | NuvoTon Partner

Products | Applications | Support | Foundry Service | Buy | myNuvoTon | About NuvoTon

Home > Support > Tool & Software

Development Tool Hardware

- Learning
- Product Related Information
- Tool & Software
- Development Tool Hardware
- Development Kit
- Learning Board
- Programmer
- Software**
- Third Party Tool
- Reference Design
- FAQ
- Sales Support
- Technical Support
- Forum

Click here to enter Software download page

Step3

Programmer Software Tools Package

File name	Description	Version	Date
ICP Programming Tool V1.25.6287.zip Revision History	NuMicro ICP tool & user manual	V1.25.6287	2014-01-16
ISP Programming Tool V1.44.zip Revision History	NuMicro ISP tool & user manual	V1.44	2014-01-20
NuGang Programmer V6.21.zip Revision History	NuMicro NuGang Programmer user manual	V6.21	2014-01-24

Click here to download

Nu-Link Driver

File name	Description	Version	Date
Nu-Link Driver for Keil RVMDK V1.25.6287.zip Revision History	This driver is to support Nu-Link to work under Keil RVMDK Development Environment for all NuMicro Family Devices.	V1.25.6287	2014-01-16
Nu-Link Driver for IAR EWARM V1.25.6287.zip Revision History	This driver is to support Nu-Link to work under IAR EWARM Development Environment for all NuMicro Family Devices.	V1.25.6287	2014-01-16

User Feedback ↑ TOP

Step5

Download the NuMicro® Keil µVision® IDE driver.

7.2 Downloading NuMicro® IAR EWARM Driver

Step1 Visit the Nuvoton NuMicro® website: <http://www.nuvoton.com/NuMicro>.

The screenshot shows the Nuvoton website interface. At the top, there is a navigation bar with 'Products', 'Applications', 'Support', 'Foundry Service', 'Buy', 'myNuvoton', and 'About Nuvoton'. The 'Support' menu is expanded, showing sub-items: 'Learning', 'Product Related Information', 'Tool & Software', 'Reference Design', and 'FAQ'. A yellow oval highlights the 'Support' menu item with the text '2-1. Move to "Support"'. Another yellow oval highlights the 'Tool & Software' sub-menu item with the text '2-2. Click here to enter Tool & Software'. Below the navigation bar, there is a grid of product categories including 'Industrial Control', 'Low Power', 'USB Application', 'Automotive Application', and 'Audio Application'. A sidebar on the left lists 'ARM Cortex™-M0 MCUs' and 'Resources'. On the right, there is a 'Featured Products' section listing 'M0516LDE', 'MINI54FDE', and 'NANO130KE3BN', and a 'Featured Videos' section with a video titled 'M0 Introduction(06:35)'.

Step2

Step3

Click here to enter Software download page

Step4

Programmer Software Tools Package

File name	Description	Version	Date
ICP Programming Tool V1.25.6287.zip Revision History	NuMicro ICP tool & user manual	V1.25.6287	2014-01-16
ISP Programming Tool V1.44.zip Revision History	NuMicro ISP Programming Tool & user manual	V1.44	2014-01-20
NuGang Programmer V6.21.zip Revision History	NuGang Programmer Software & user manual	V6.21	2014-01-24

Nu-Link Driver

File name	Description	Version	Date
Nu-Link Driver for Keil RVMDK V1.25.6287.zip Revision History	This driver is to support Nu-Link to work under Keil RVMDK Development Environment for all NuMicro Family Devices.	V1.25.6287	2014-01-16
Nu-Link Driver for IAR EWARM V1.25.6287.zip Revision History	This driver is to support Nu-Link to work under IAR EWARM Development Environment for all NuMicro Family Devices.	V1.25.6287	2014-01-16

[User Feedback](#) [↑ TOP](#)

Step5

Download the NuMicro® IAR EWARM driver.

7.3 Downloading NuMicro[®] NUC121/125 Series BSP Software Library

Step1 Visit the Nuvoton NuMicro[®] website: <http://www.nuvoton.com/NuMicro>.

Step2

2-1. Move to "Support"

2-2. Click here to enter Tool & Software

As one of the leading Microcontroller (MCU) companies in the world, Nuvoton provides the state-

<p>Step3</p>	<p>The screenshot shows the NuvoTon website's navigation menu. Under the 'Development Tool Hardware' section, the 'Software' link is highlighted with a red dashed box. A yellow callout bubble with a red arrow points to this link, containing the text: "Click here to enter Software download page". The main content area shows various development tools and programming options like 'On-Line In Circuit Programming', 'Off-Line In Circuit Programming', and 'IC Programming'.</p>
<p>Step4</p>	<p>Download the NuMicro[®] NUC121/125 Series CMSIS BSP.</p>

8 REVISION HISTORY

Date	Revision	Description
2017.02.15	1.00	Initial version.

:

Important Notice

Nuvoton Products are neither intended nor warranted for usage in systems or equipment, any malfunction or failure of which may cause loss of human life, bodily injury or severe property damage. Such applications are deemed, "Insecure Usage".

Insecure usage includes, but is not limited to: equipment for surgical implementation, atomic energy control instruments, airplane or spaceship instruments, the control or operation of dynamic, brake or safety systems designed for vehicular use, traffic signal instruments, all types of safety devices, and other applications intended to support or sustain life.

All Insecure Usage shall be made at customer's risk, and in the event that third parties lay claims to Nuvoton as a result of customer's Insecure Usage, customer shall indemnify the damages and liabilities thus incurred by Nuvoton.

*Please note that all data and specifications are subject to change without notice.
All the trademarks of products and companies mentioned in this datasheet belong to their respective owners.*