

MATERIAL # 46114-1224  
SHOWN

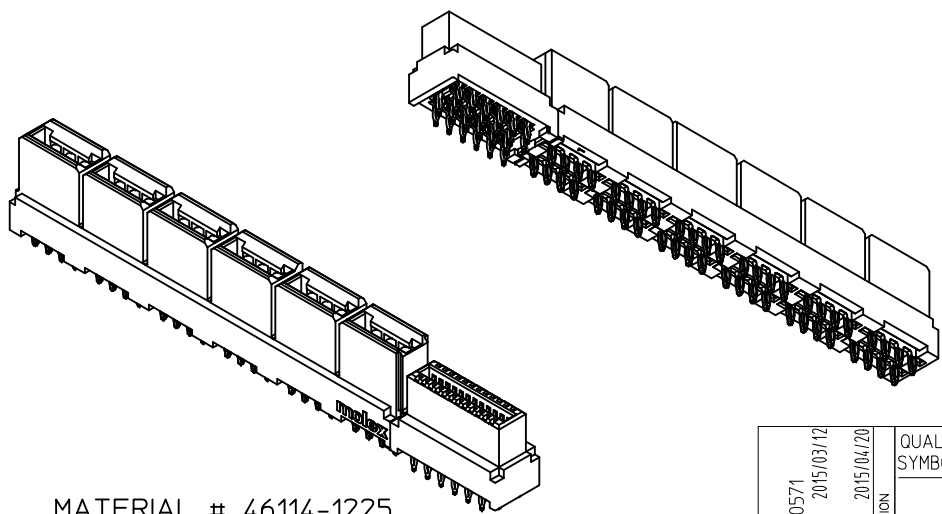
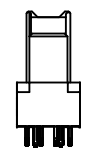
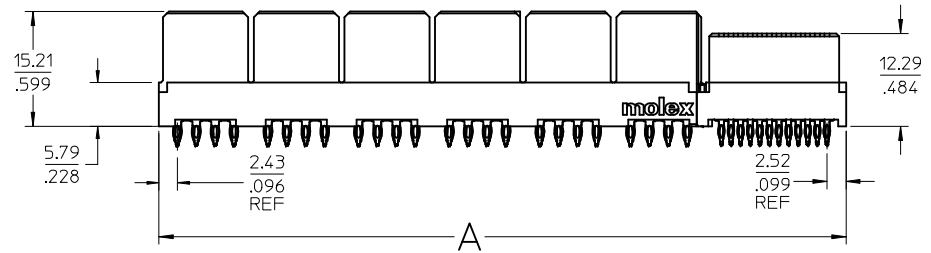
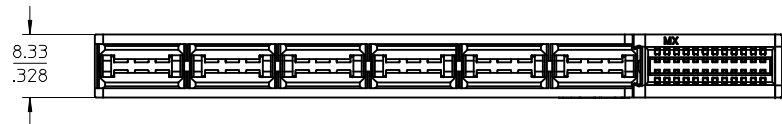
NO OF SIGNALS	MATERIAL NUMBER	COMPLIANT PIN PLATING	DIM A	DIM B	DIM C
12	46114-1212	TIN	89.01/3.504	89.51/3.524	5.45/2.15
16	46114-1216	TIN	91.55/3.604	92.05/3.624	
20	46114-1220	TIN	94.09/3.704	94.59/3.724	
24	46114-1224	TIN	96.63/3.804	97.13/3.824	
28	46114-1228	TIN	99.17/3.904	99.67/3.924	
32	46114-1232	TIN	101.71/4.004	102.21/4.024	
36	46114-1236	TIN	104.25/4.104	104.75/4.124	
40	46114-1240	TIN	106.79/4.204	107.29/4.224	

- NOTES:  
 1. MATERIAL: HOUSING: LCP, 94-V0, COLOR: BLACK.  
 POWER CONTACTS: COPPER ALLOY;  
 SIGNAL CONTACTS: MODIFIED TIN BRASS.  
 2. FINISH: SELECT GOLD - 0.75 μM/30 μ INCHES  
 SELECTED TIN - 2.50 μM/100 μ INCHES  
 BOTH OVER NICKEL - 1.25 μM/50 μ INCHES  
 3. POWER TERMINALS ARE LUBRICATED IN CONTACT AREA.  
 4. PARTS ARE ROHS COMPLIANT.  
 5. MATES TO MOLEX P/N 45995-SERIES OR EDGE CARD 157/062.  
 6. PRODUCT SPECIFICATION PS-46114-001.  
 7. PACKAGING: PER PK-46114-003.

REVISE CARD EDGE IEC NO: LCP2015-0571 DRAWN: BHANDURA CHYK: APPR: APATEL 2015/03/12 2015/04/20	QUALITY SYMBOLS	GENERAL TOLERANCES (UNLESS SPECIFIED)	DIMENSION STYLE	SCALE	DESIGN UNITS	THIRD ANGLE PROJECTION																			
	$\nabla=0$ $\nabla=0$	<table border="1"> <thead> <tr> <th></th> <th>mm</th> <th>INCH</th> </tr> </thead> <tbody> <tr> <td>4 PLACES</td> <td>±---</td> <td>±---</td> </tr> <tr> <td>3 PLACES</td> <td>±---</td> <td>±.010</td> </tr> <tr> <td>2 PLACES</td> <td>±0.25</td> <td>±---</td> </tr> <tr> <td>1 PLACE</td> <td>±---</td> <td>±---</td> </tr> </tbody> </table>		mm	INCH	4 PLACES	±---	±---	3 PLACES	±---	±.010	2 PLACES	±0.25	±---	1 PLACE	±---	±---	MM/IN	2:1	METRIC					
		mm	INCH																						
	4 PLACES	±---	±---																						
3 PLACES	±---	±.010																							
2 PLACES	±0.25	±---																							
1 PLACE	±---	±---																							
DESCRIPTION	DRAFT WHERE APPLICABLE MUST REMAIN WITHIN DIMENSIONS	<table border="1"> <thead> <tr> <th>DRAWN BY</th> <th>DATE</th> <th>TITLE</th> </tr> </thead> <tbody> <tr> <td>MKARADI MAS</td> <td>2007/07/18</td> <td>LPH VERTICAL RECEPTACLE COMPLIANT PIN ASSEMBLY</td> </tr> <tr> <td>APATEL</td> <td>2007/07/20</td> <td>12CKT PWR CON, PRESS FIT</td> </tr> </tbody> </table>	DRAWN BY	DATE	TITLE	MKARADI MAS	2007/07/18	LPH VERTICAL RECEPTACLE COMPLIANT PIN ASSEMBLY	APATEL	2007/07/20	12CKT PWR CON, PRESS FIT	<table border="1"> <thead> <tr> <th>MATERIAL NO.</th> <th>DOCUMENT NO.</th> </tr> </thead> <tbody> <tr> <td>SEE CHART</td> <td>SD-46114-120</td> </tr> </tbody> </table>	MATERIAL NO.	DOCUMENT NO.	SEE CHART	SD-46114-120	<table border="1"> <thead> <tr> <th>APPROVED BY</th> <th>DATE</th> </tr> </thead> <tbody> <tr> <td>JCOMERCI</td> <td>2009/12/03</td> </tr> </tbody> </table>	APPROVED BY	DATE	JCOMERCI	2009/12/03		<table border="1"> <thead> <tr> <th>SHEET NO.</th> </tr> </thead> <tbody> <tr> <td>1 OF 3</td> </tr> </tbody> </table>	SHEET NO.	1 OF 3
DRAWN BY	DATE	TITLE																							
MKARADI MAS	2007/07/18	LPH VERTICAL RECEPTACLE COMPLIANT PIN ASSEMBLY																							
APATEL	2007/07/20	12CKT PWR CON, PRESS FIT																							
MATERIAL NO.	DOCUMENT NO.																								
SEE CHART	SD-46114-120																								
APPROVED BY	DATE																								
JCOMERCI	2009/12/03																								
SHEET NO.																									
1 OF 3																									
THIS DRAWING CONTAINS INFORMATION THAT IS PROPRIETARY TO MOLEX INCORPORATED AND SHOULD NOT BE USED WITHOUT WRITTEN PERMISSION																									

13 12 11 10 9 8 7 6 5 4 3 2 1

J I H G F E D C B A

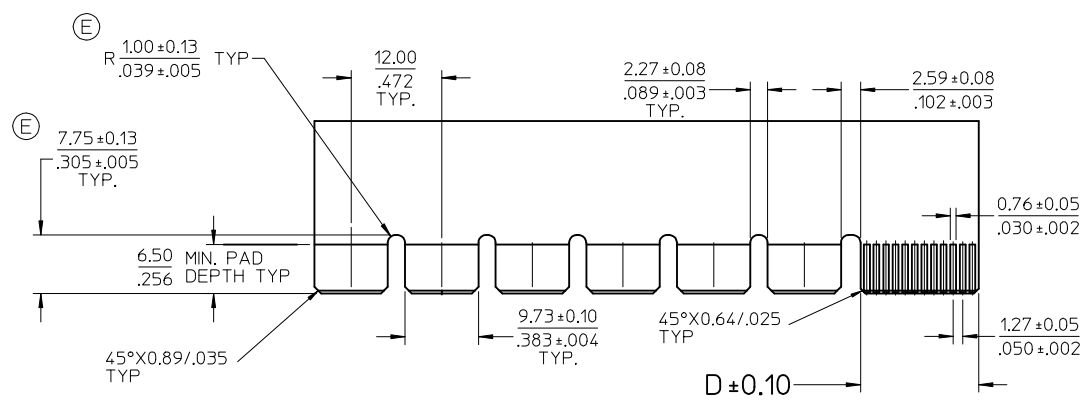
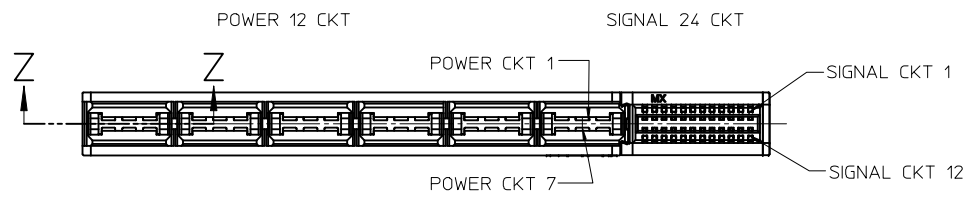


MATERIAL # 46114-1225  
SHOWN

NO OF SIGNALS	MATERIAL NUMBER	COMPLIANT PIN PLATING	DIM A	DIM B	DIM C
12	46114-1213	TIN	83.34/3.281	84.84/3.301	2.69/106
16	46114-1217	TIN	85.88/3.381	86.38/3.401	
20	46114-1221	TIN	88.42/3.481	88.92/3.501	
24	46114-1225	TIN	90.96/3.581	91.46/3.601	
28	46114-1229	TIN	93.50/3.681	94.00/3.701	
32	46114-1233	TIN	96.04/3.781	96.54/3.801	
36	46114-1237	TIN	98.58/3.881	99.08/3.901	
40	46114-1241	TIN	101.12/3.981	102.62/4.001	

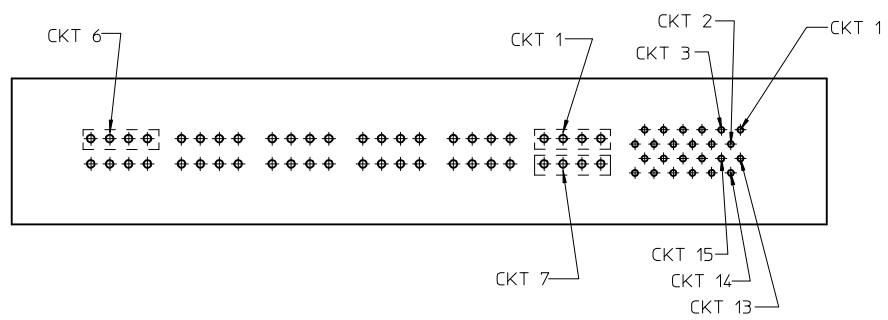
SEE SHEET 1 EC NO: UCP2015-0571 DRWN: BANDURA 2015/03/12 CHKD: APPR: APATEL 2015/04/20	QUALITY SYMBOLS	GENERAL TOLERANCES (UNLESS SPECIFIED)	DIMENSION STYLE MM/IN	SCALE 2:1	DESIGN UNITS METRIC	THIRD ANGLE PROJECTION															
		<table border="1"> <tr> <th></th> <th>mm</th> <th>INCH</th> </tr> <tr> <td>4 PLACES</td> <td>± .010</td> <td>± .0004</td> </tr> <tr> <td>3 PLACES</td> <td>± .010</td> <td>± .0004</td> </tr> <tr> <td>2 PLACES</td> <td>± 0.25</td> <td>± .010</td> </tr> <tr> <td>1 PLACE</td> <td>± .010</td> <td>± .0004</td> </tr> </table>		mm	INCH	4 PLACES	± .010	± .0004	3 PLACES	± .010	± .0004	2 PLACES	± 0.25	± .010	1 PLACE	± .010	± .0004	DRAWN BY: MKARADIMAS DATE: 2007/07/18 CHECKED BY: APATEL DATE: 2007/07/20 APPROVED BY: JCOMERC I DATE: 2009/12/03	TITLE: LPH VERTICAL RECEPTACLE COMPLIANT PIN ASSEMBLY 12CKT PWR CON, PRESS FIT MOLEX INCORPORATED		
		mm	INCH																		
	4 PLACES	± .010	± .0004																		
3 PLACES	± .010	± .0004																			
2 PLACES	± 0.25	± .010																			
1 PLACE	± .010	± .0004																			
	ANGULAR ±1/2°	DRAFT WHERE APPLICABLE MUST REMAIN WITHIN DIMENSIONS	SEE CHART	MATERIAL NO.	DOCUMENT NO.	SHEET NO. 2 OF 3															
				THIS DRAWING CONTAINS INFORMATION THAT IS PROPRIETARY TO MOLEX INCORPORATED AND SHOULD NOT BE USED WITHOUT WRITTEN PERMISSION																	

NO OF SIGNAL	DIM. D
12	8.00/.315
16	10.54/.415
20	13.08/.515
24	15.62/.615
28	18.16/.715
32	20.70/.815
36	23.24/.915
40	25.78/1.015

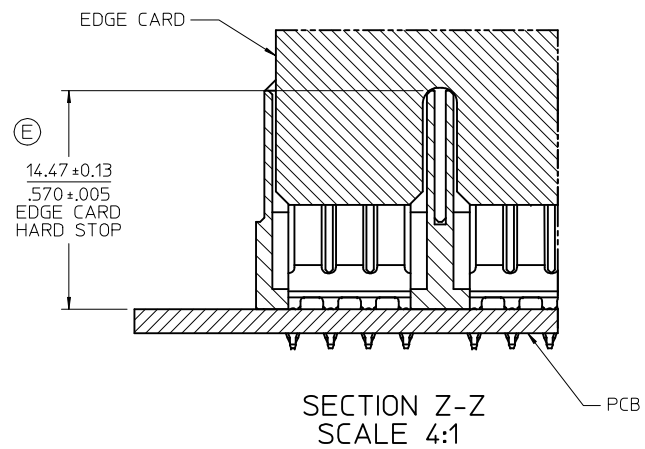


RECOMMENDED EDGE CARD LAYOUT  
EDGE CARD THICKNESS: 1.57/.062 ± 0.15/.006  
PLATING: GOLD 30 μ INCHES MIN.  
OVER 150 μ INCHES NICKEL.

45°X0.38/.015 TYP



PCB LAYOUT: COMPONENT SIDE  
SEE SHT 1 FOR DIMENSIONS



<b>SEE SHEET 1</b> EC NO: UCP2015-0571 DRAWN: BANDURA 2015/03/12 CHKD: APPR: APATEL 2015/04/20	QUALITY SYMBOLS	GENERAL TOLERANCES (UNLESS SPECIFIED)	DIMENSION STYLE <b>MM/IN</b>	SCALE <b>2:1</b>	DESIGN UNITS <b>METRIC</b>	THIRD ANGLE PROJECTION															
		<table border="1"> <tr> <th></th> <th>mm</th> <th>INCH</th> </tr> <tr> <td>4 PLACES ±</td> <td>---</td> <td>±---</td> </tr> <tr> <td>3 PLACES ±</td> <td>---</td> <td>±.010</td> </tr> <tr> <td>2 PLACES ±</td> <td>0.25</td> <td>±---</td> </tr> <tr> <td>1 PLACE ±</td> <td>---</td> <td>±---</td> </tr> </table>		mm	INCH	4 PLACES ±	---	±---	3 PLACES ±	---	±.010	2 PLACES ±	0.25	±---	1 PLACE ±	---	±---	DRAWN BY MKARADIMAS	DATE 2007/07/18	TITLE <b>LPH VERTICAL RECEPTACLE COMPLIANT PIN ASSEMBLY 12CKT PWR CON, PRESS FIT</b>	
		mm	INCH																		
	4 PLACES ±	---	±---																		
3 PLACES ±	---	±.010																			
2 PLACES ±	0.25	±---																			
1 PLACE ±	---	±---																			
	ANGULAR ±1/2°	CHECKED BY APATEL	DATE 2007/07/20	APPROVED BY JCOMERCI	DATE 2009/12/03	<b>MOLEX INCORPORATED</b>															
	DRAFT WHERE APPLICABLE MUST REMAIN WITHIN DIMENSIONS	MATERIAL NO. <b>SEE CHART</b>	DOCUMENT NO. <b>SD-46114-120</b>	SHEET NO. <b>3 OF 3</b>	THIS DRAWING CONTAINS INFORMATION THAT IS PROPRIETARY TO MOLEX INCORPORATED AND SHOULD NOT BE USED WITHOUT WRITTEN PERMISSION																