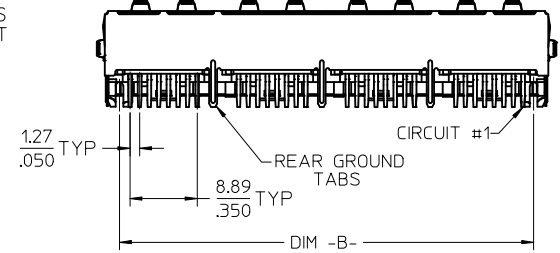
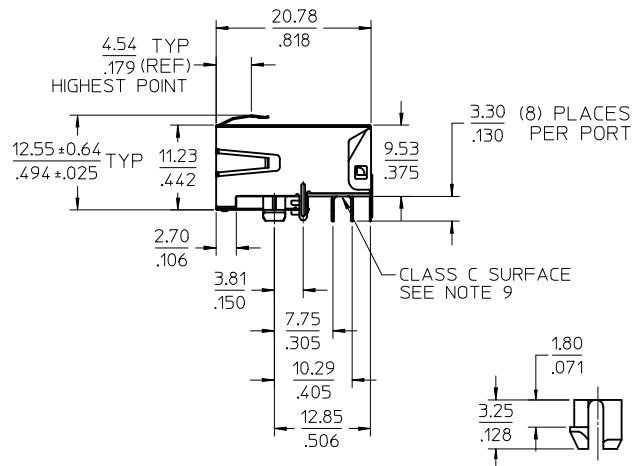
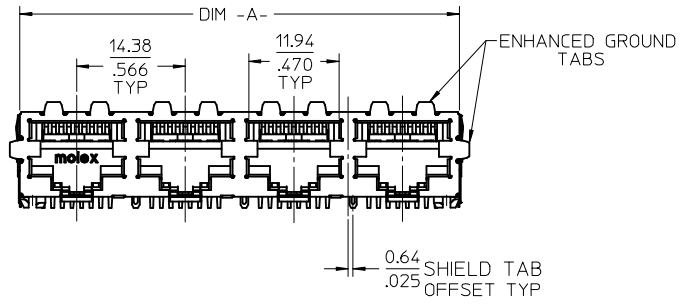


SHIELDING OPTION -A-
STANDARD SHIELD
(SEE CHART)

SHIELDING OPTION -B-
ENHANCED GROUND TABS
(SEE CHART)



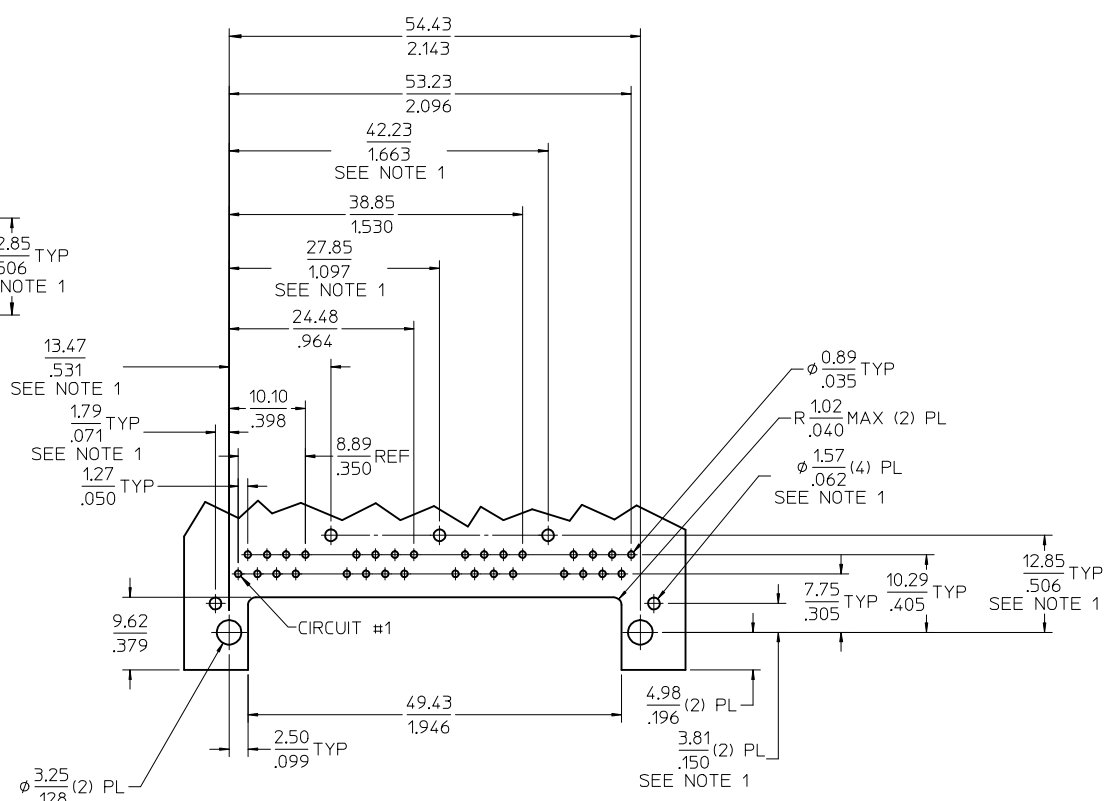
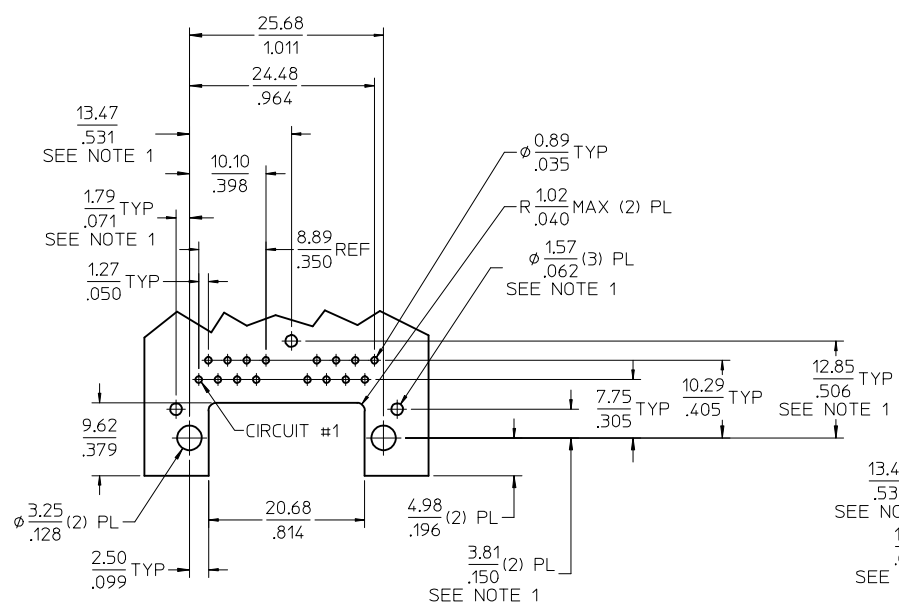
- NOTES:
1) MATERIAL:
HOUSING: NYLON(IPA), GLASS FILLED, UL94V-0, COLOR: BLACK
TERMINALS: PHOSPHOR BRONZE
SHIELD: BRASS, .007/(0.18) THICK
2) FINISH:
TERMINALS:
SELECT GOLD IN CONTACT AREA: 50 MICROINCHES (1.27 MICROMETERS) MIN.,
SELECT MATTE TIN IN PC TAIL AREA: 100 MICROINCHES (2.54 MICROMETERS) MIN.,
WITH OVERALL NICKEL UNDERPLATE: 50 MICROINCHES (1.27 MICROMETERS) MIN.
SHIELD:
100 MICROINCHES (2.54 MICROMETERS) NICKEL OVER 50 MICROINCHES
(1.27 MICROMETERS) COPPER UNDERPLATE; PCB GROUND TABS DIPPED IN TIN.
3) PRODUCT SPECIFICATION: PS-44560-003.
4) PACKAGING SPECIFICATION:
2 PORT: CONNECTOR PACKAGED IN TRAYS PER MOLEX PACKAGING SPECIFICATION
PK-44560-004
4 PORT: CONNECTOR PACKAGED IN TRAYS PER MOLEX PACKAGING SPECIFICATION
PK-44560-005
5) CONFORMS TO FCC REGULATION PART 68.5 FOR MODULAR JACKS.
6) ENHANCED GROUND TABS SHIELD (OPTION -B-) IS SHOWN IN THIS
DRAWING. (SEE CHART)
7) SEE SHEET (2) OF (2) FOR RECOMMENDED PANEL OPENING AND PCB LAYOUT.
8) CAT 5e PERFORMANCE IS NOT SPECIFIED FOR THIS MODULAR JACK BECAUSE
OF THE EVEN TERMINAL TAILS.
9) THIS PART CONFORMS TO CLASS B REQUIREMENTS OF COSMETIC
SPECIFICATION PS-45499-002 WITH THE EXCEPTION OF THE SURFACE
INDICATED, WHICH IS A CLASS C SURFACE.
10) THIS PRODUCT IS COMPLIANT TO RoHS DIRECTIVE 2002/95/EC AND ELV ANNEX
II OF DIRECTIVE 2000/53/EC.



PEG DETAIL
SCALE 4:1

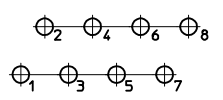
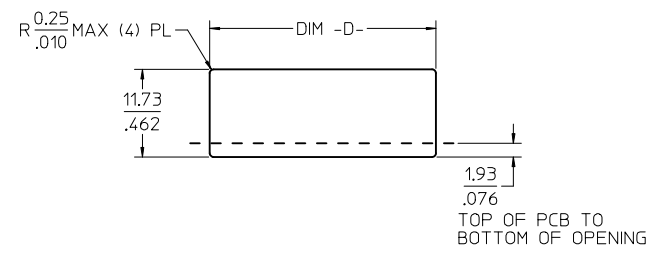
ASSEMBLY MATERIAL NUMBER	SHIELDING OPTION	NUMBER OF REAR GROUND TABS	NUMBER OF PORTS	DIM -A-	DIM -B-
445600112	B	1	2	29.44/1.159	25.68/1.011

CREATE DWG EC NO: UCP2013-0627 DRW: NGUYEN CHKD: JELL APPR: FSMITH 2012/08/14 2012/08/14 2012/08/27	DESCRIPTION REV A	QUALITY SYMBOLS ∇=0 ∇=0 ∇=0	GENERAL TOLERANCES (UNLESS SPECIFIED) mm INCH 4 PLACES ± --- ± --- 3 PLACES ± --- ± .012 2 PLACES ± 0.30 ± --- 1 PLACE ± --- ± --- 0 PLACE ± ±	DIMENSION STYLE MM/IN DRAWN BY DATE NGUYEN 2012/08/14 CHECKED BY DATE JBELL 2012/08/14 APPROVED BY DATE FSMITH 2012/08/27	SCALE 2:1 DESIGN UNITS INCH THIRD ANGLE PROJECTION	COMPACT GANGED MODJACK EVEN TAILS molex	MATERIAL NO. SEE CHART DOCUMENT NO. RSD-44560-001 SHEET NO. 1 OF 2
		DRAFT WHERE APPLICABLE MUST REMAIN WITHIN DIMENSIONS			SIZE C	THIS DRAWING CONTAINS INFORMATION THAT IS PROPRIETARY TO MOLEX INCORPORATED AND SHOULD NOT BE USED WITHOUT WRITTEN PERMISSION	



2 PORT ASSEMBLY
PCB LAYOUT : COMPONENT SIDE
RECOMMENDED PCB THICKNESS: 1.57/0.62
TOLERANCE ±.076/0.003 UNLESS OTHERWISE SPECIFIED

4 PORT ASSEMBLY
PCB LAYOUT : COMPONENT SIDE
RECOMMENDED PCB THICKNESS: 1.57/0.62
TOLERANCE ±.076/0.003 UNLESS OTHERWISE SPECIFIED



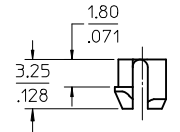
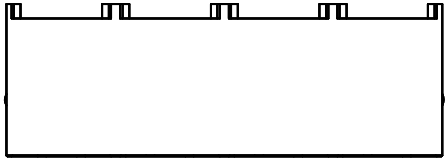
TYPICAL PC TERMINAL HOLE LAYOUT
SCALE 5:1

NOTES:
1. DIMENSIONS REFER TO ASSEMBLIES WITH SHIELDING OPTION

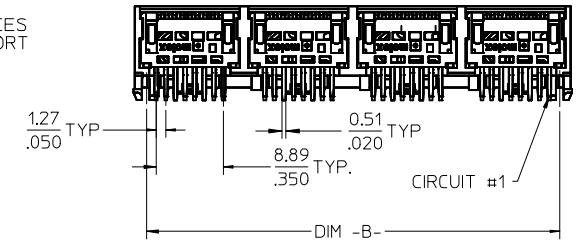
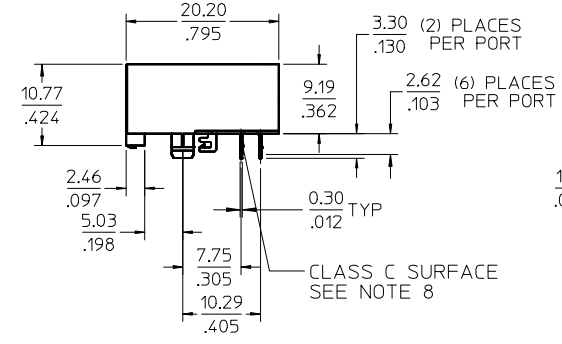
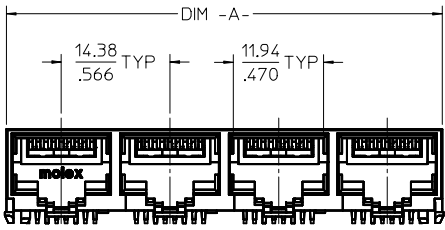
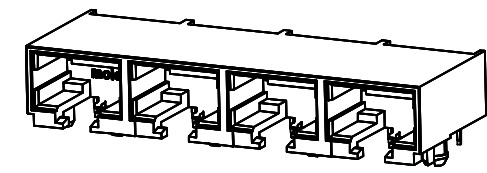
NUMBER OF PORTS	DIM -D-
2	30.20/1.189
4	58.95/2.321

RECOMMENDED
PANEL OPENING
SHIELDING OPTIONS
A AND B

SEE SHEET 1 EC NO: UCP2013-0627 DRW: NNGUYEN CHKD: JBELL APPR: FSMITH	DESCRIPTION 2012/08/14 2012/08/14 2012/08/27	QUALITY SYMBOLS	GENERAL TOLERANCES (UNLESS SPECIFIED)	DIMENSION STYLE	SCALE	DESIGN UNITS	THIRD ANGLE PROJECTION
		▽=0	mm INCH	MM/IN	2:1	INCH	
		▽=0	4 PLACES ± --- ± ---	DRAWN BY DATE	TITLE		
		▽=0	3 PLACES ± --- ±.012	CHECKED BY DATE			
			2 PLACES ± 0.30 ± ---	NGUYEN 2012/08/14			COMPACT GANGED MODJACK EVEN TAILS molex
		1 PLACE ± --- ± ---	JBELL 2012/08/14				
		0 PLACE ± ±	APPROVED BY DATE				
			FSMITH 2012/08/27				
			ANGULAR ±1/2°	MATERIAL NO.	DOCUMENT NO.		
			DRAFT WHERE APPLICABLE MUST REMAIN WITHIN DIMENSIONS	SEE SHEET 1	RSD-44560-001		
				SIZE C	THIS DRAWING CONTAINS INFORMATION THAT IS PROPRIETARY TO MOLEX INCORPORATED AND SHOULD NOT BE USED WITHOUT WRITTEN PERMISSION		
							SHEET NO. 2 OF 2



PEG DETAIL
SCALE 4:1

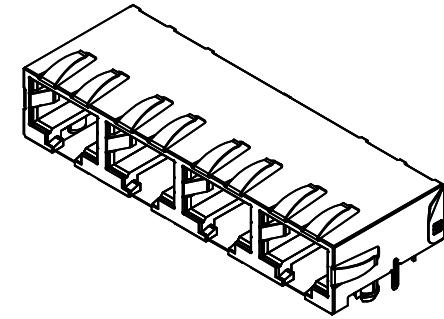
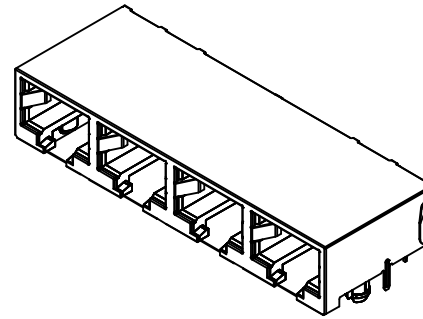
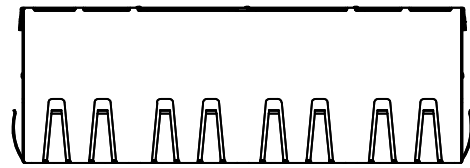


- NOTES:
- MATERIAL:
HOUSING: NYLON(PA), GLASS FILLED, UL94V-0, COLOR: BLACK
TERMINALS: PHOSPHOR BRONZE
 - FINISH:
TERMINALS:
SELECT GOLD IN CONTACT AREA: 50 MICROINCHES (1.27 MICROMETERS) MIN.
SELECT MATTE TIN IN PC TAIL AREA: 100 MICROINCHES (2.54 MICROMETERS) MIN.
WITH OVERALL NICKEL UNDERPLATE: 50 MICROINCHES (1.27 MICROMETERS) MIN.
 - PRODUCT SPECIFICATION AND PROCESSING PARAMETERS: PS-44560-003.
 - PACKAGING SPECIFICATION:
2 PORT: CONNECTOR PACKAGED IN TRAYS PER MOLEX PACKAGING SPECIFICATION PK-44560-004
4 PORT: CONNECTOR PACKAGED IN TRAYS PER MOLEX PACKAGING SPECIFICATION PK-44560-005
 - CONFORMS TO FCC REGULATION PART 68.5 FOR MODULAR JACKS.
 - SEE SHEET (4) OF (4) FOR RECOMMENDED PANEL OPENING AND PCB LAYOUT.
 - TERMINAL LENGTHS MAY BE DIFFERENT FROM TERMINAL TO TERMINAL.
 - THIS PART CONFORMS TO CLASS B REQUIREMENTS OF COSMETIC SPECIFICATION PS-45499-002 WITH THE EXCEPTION OF THE SURFACE INDICATED, WHICH IS A CLASS C SURFACE.
 - THIS PRODUCT IS COMPLIANT TO RoHS DIRECTIVE 2002/95/EC AND ELV ANNEX II OF DIRECTIVE 2000/53/EC.

ASSEMBLY MATERIAL NUMBER	NUMBER OF PORTS	DIM -A-	DIM -B-
445600001	2	28.96/1.140	25.68/1.011
445600003	4	57.71/2.272	54.43/2.143

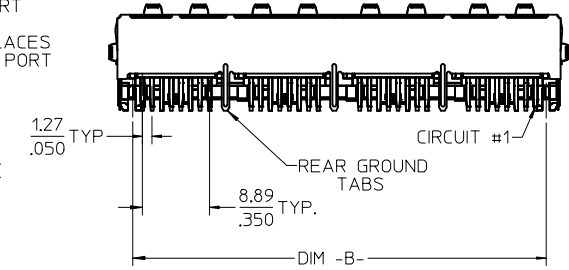
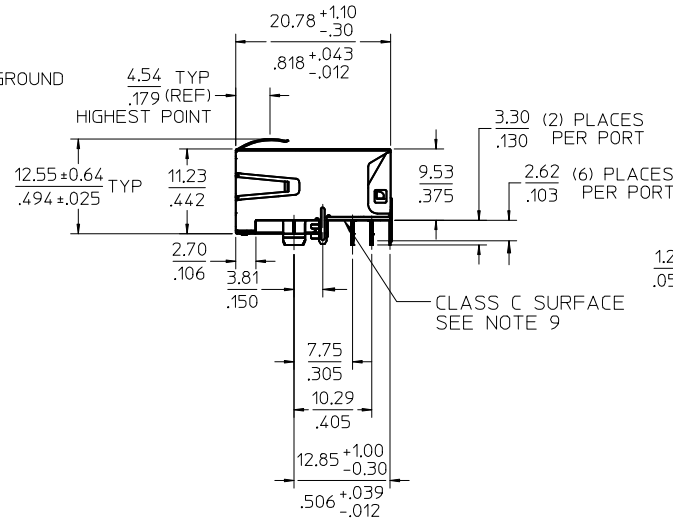
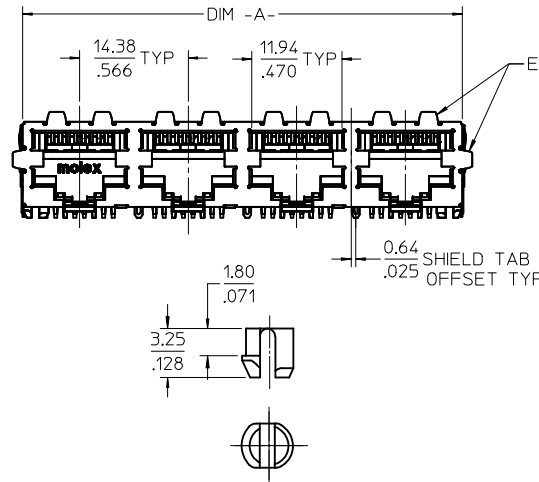
OBSOLETE PN EC NO: UCP2017-0798 DRW:AFENG02 2016/10/10 CHKD: APPR:KLANG 2016/10/17 G5 REV:	QUALITY SYMBOLS ∇=0 ∇=0 ∇=0	GENERAL TOLERANCES (UNLESS SPECIFIED) <table border="1"> <thead> <tr> <th></th> <th>mm</th> <th>INCH</th> </tr> </thead> <tbody> <tr> <td>4 PLACES</td> <td>± .012</td> <td>± .0005</td> </tr> <tr> <td>3 PLACES</td> <td>± .012</td> <td>± .0005</td> </tr> <tr> <td>2 PLACES</td> <td>± .030</td> <td>± .0012</td> </tr> <tr> <td>1 PLACE</td> <td>± .012</td> <td>± .0005</td> </tr> <tr> <td>0 PLACE</td> <td>±</td> <td>±</td> </tr> </tbody> </table>		mm	INCH	4 PLACES	± .012	± .0005	3 PLACES	± .012	± .0005	2 PLACES	± .030	± .0012	1 PLACE	± .012	± .0005	0 PLACE	±	±	DIMENSION STYLE MM/IN	SCALE 2:1	DESIGN UNITS INCH	THIRD ANGLE PROJECTION
		mm	INCH																					
	4 PLACES	± .012	± .0005																					
	3 PLACES	± .012	± .0005																					
	2 PLACES	± .030	± .0012																					
1 PLACE	± .012	± .0005																						
0 PLACE	±	±																						
DRAWN BY MKAMAR 00/03/28		DATE 00/03/28		TITLE COMPACT GANGED CATEGORY 5E MODJACK																				
CHECKED BY MKAMAR 00/03/28		DATE 00/03/28																						
APPROVED BY JROBERTS 00/03/28		DATE 00/03/28		molex																				
MATERIAL NO. SEE CHART		DOCUMENT NO. SD-44560-001					SHEET NO. 1 OF 4																	
DRAFT WHERE APPLICABLE MUST REMAIN WITHIN DIMENSIONS																								

THIS DRAWING CONTAINS INFORMATION THAT IS PROPRIETARY TO MOLEX INCORPORATED AND SHOULD NOT BE USED WITHOUT WRITTEN PERMISSION



SHIELDING OPTION -A-
STANDARD SHIELD
(SEE CHART)

SHIELDING OPTION -B-
ENHANCED GROUND TABS
(SEE CHART)

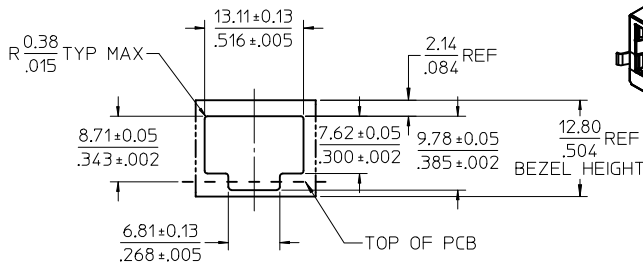
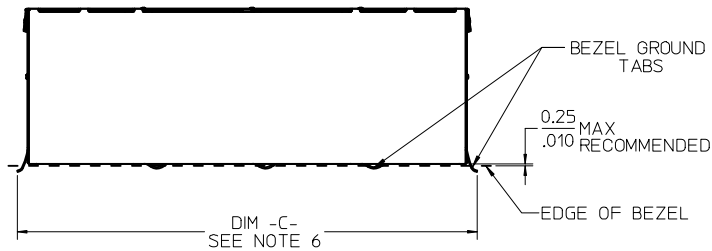


PEG DETAIL
SCALE 4:1

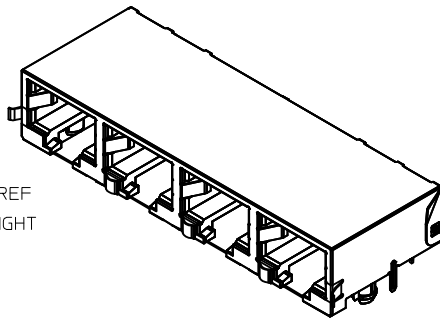
- NOTES:
- MATERIAL:
HOUSING: NYLON(PA), GLASS FILLED, UL94V-0, COLOR: BLACK
TERMINALS: PHOSPHOR BRONZE
SHIELD: BRASS, .0077(0,18) THICK
 - FINISH:
TERMINALS:
SELECT GOLD IN CONTACT AREA: 50 MICROINCHES (1.27 MICROMETERS) MIN.,
SELECT MATTE TIN IN PC TAIL AREA: 100 MICROINCHES (2.54 MICROMETERS) MIN.,
WITH OVERALL NICKEL UNDERPLATE: 50 MICROINCHES (1.27 MICROMETERS) MIN.
SHIELD:
100 MICROINCHES (2.54 MICROMETERS) NICKEL OVER 50 MICROINCHES
(1.27 MICROMETERS) COPPER UNDERPLATE; PCB GROUND TABS DIPPED IN TIN.
 - PRODUCT SPECIFICATION AND PROCESSING PARAMETERS: PS-44560-003.
 - PACKAGING SPECIFICATION:
2 PORT: CONNECTOR PACKAGED IN TRAYS PER MOLEX PACKAGING SPECIFICATION
PK-44560-004
4 PORT: CONNECTOR PACKAGED IN TRAYS PER MOLEX PACKAGING SPECIFICATION
PK-44560-005
 - CONFORMS TO FCC REGULATION PART 68.5 FOR MODULAR JACKS.
 - ENHANCED GROUND TABS SHIELD (OPTION -B-) IS SHOWN IN THIS DRAWING. (SEE CHART)
 - SEE SHEET (4) OF (4) FOR RECOMMENDED PANEL OPENING AND PCB LAYOUT.
 - TERMINAL LENGTHS MAY BE DIFFERENT FROM TERMINAL TO TERMINAL.
 - THIS PART CONFORMS TO CLASS B REQUIREMENTS OF COSMETIC SPECIFICATION PS-45499-002 WITH THE EXCEPTION OF THE SURFACE INDICATED, WHICH IS A CLASS C SURFACE.
 - THIS PRODUCT IS COMPLIANT TO RoHS DIRECTIVE 2002/95/EC AND ELV ANNEX II OF DIRECTIVE 2000/53/EC.

ASSEMBLY MATERIAL NUMBER	SHIELDING OPTION	NUMBER OF REAR GROUND TABS	NUMBER OF PORTS	DIM -A-	DIM -B-
445600002	A	1	2	29.44/1.159	25.68/1.011
445600004	A	3	4	58.19/2.291	54.43/2.143
445600012	B	1	2	29.44/1.159	25.68/1.011
445600014	B	3	4	58.19/2.291	54.43/2.143

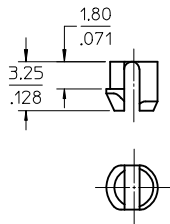
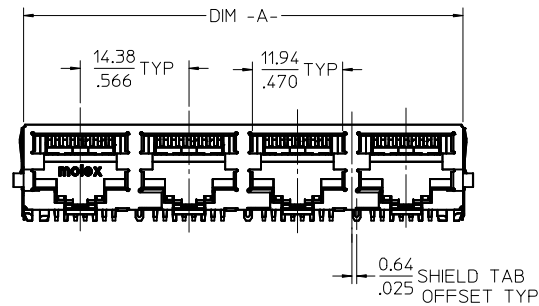
SEE SHEET 1 EC NO: UCP2017-0798 DRW:AFENG02 2016/10/10 CHKD: APPR:KLANG 2016/10/17	QUALITY SYMBOLS ▽=0 ▽=0 ▽=0	GENERAL TOLERANCES (UNLESS SPECIFIED)		DIMENSION STYLE MM/IN		SCALE 2:1	DESIGN UNITS INCH	THIRD ANGLE PROJECTION		
		mm INCH		DRAWN BY MKAMAR	DATE 00/03/28	TITLE COMPACT GANGED CATEGORY 5E MODJACK				
		4 PLACES ± --- ± --- 3 PLACES ± --- ± .012 2 PLACES ± 0.30 ± --- 1 PLACE ± --- ± --- 0 PLACE ± ±		CHECKED BY MKAMAR	DATE 00/03/28	APPROVED BY JROBERTS			DATE 00/03/28	DOCUMENT NO. SD-44560-001
		ANGULAR ±1/2°		MATERIAL NO. SEE CHART		SHEET NO. 2 OF 4				
DRAFT WHERE APPLICABLE MUST REMAIN WITHIN DIMENSIONS		THIS DRAWING CONTAINS INFORMATION THAT IS PROPRIETARY TO MOLEX INCORPORATED AND SHOULD NOT BE USED WITHOUT WRITTEN PERMISSION								



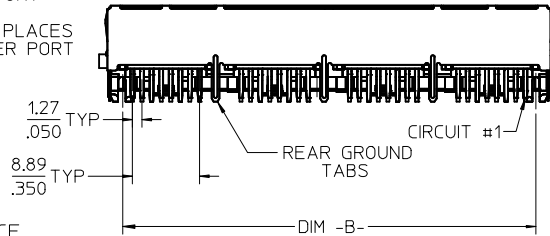
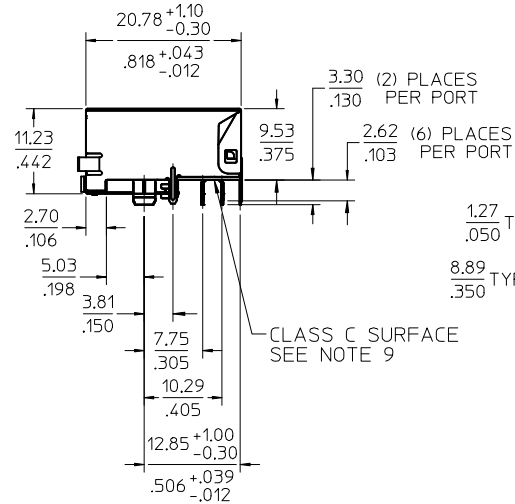
RECOMMENDED
PANEL OPENING
(EACH PORT)
FOR PMC BEZEL ONLY



SHIELDING OPTION -C-
BEZEL GROUND TABS



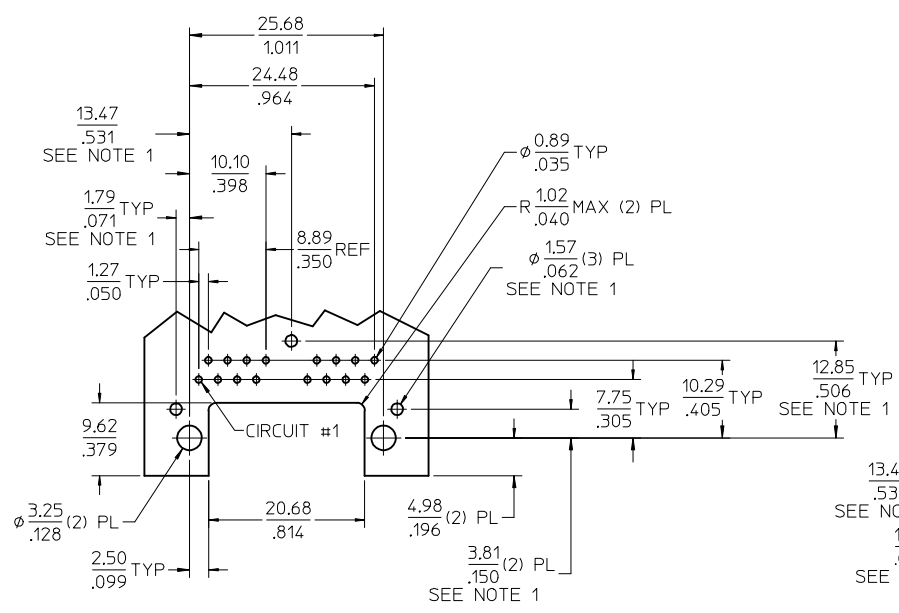
PEG DETAIL
SCALE 4:1



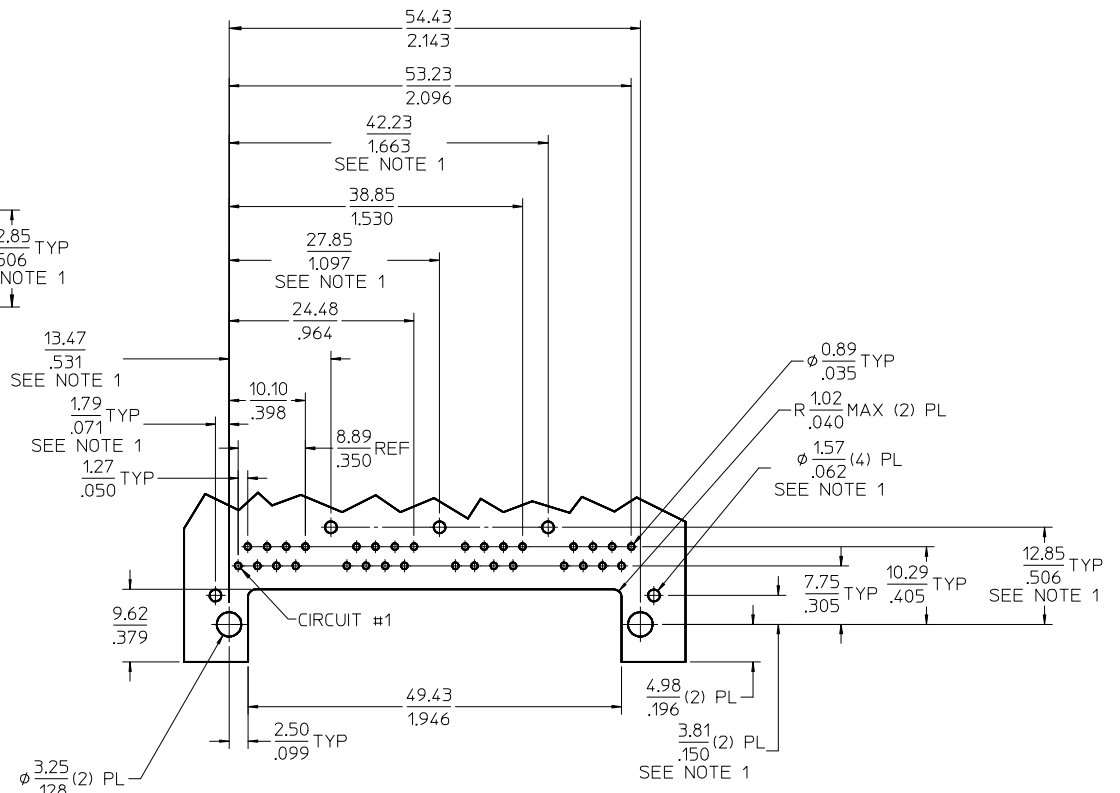
- NOTES:
- MATERIAL:
HOUSING: NYLON(IPA), GLASS FILLED, UL94V-0, COLOR: BLACK
TERMINALS: PHOSPHOR BRONZE
SHIELD: BRASS, .007/(0.18) THICK
 - FINISH:
TERMINALS:
SELECT GOLD IN CONTACT AREA: 50 MICROINCHES (1.27 MICROMETERS) MIN.
SELECT MATTE TIN IN PC TAIL AREA: 100 MICROINCHES (2.54 MICROMETERS) MIN.
WITH OVERALL NICKEL UNDERPLATE: 50 MICROINCHES (1.27 MICROMETERS) MIN.
SHIELD:
100 MICROINCHES (2.54 MICROMETERS) NICKEL OVER 50 MICROINCHES (1.27 MICROMETERS) COPPER UNDERPLATE, PCB GROUND TABS DIPPED IN TIN.
 - PRODUCT SPECIFICATION AND PROCESSING PARAMETERS: PS-44560-003.
 - PACKAGING SPECIFICATION:
2 PORT: CONNECTOR PACKAGED IN TRAYS PER MOLEX PACKAGING SPECIFICATION PK-44560-004
4 PORT: CONNECTOR PACKAGED IN TRAYS PER MOLEX PACKAGING SPECIFICATION PK-44560-005
 - CONFORMS TO FCC REGULATION PART 68.5 FOR MODULAR JACKS.
 - THIS DIMENSION HAS A MAXIMUM OF 34.82/1.371 FOR THE (2) PORT PART AND 63.57/2.503 FOR THE (4) PORT PART WHEN THE JACK IS INSTALLED BEHIND THE BEZEL.
 - SEE SHEET (4) OF (4) FOR RECOMMENDED PCB LAYOUT.
 - TERMINAL LENGTHS MAY BE DIFFERENT FROM TERMINAL TO TERMINAL.
 - THIS PART CONFORMS TO CLASS B REQUIREMENTS OF COSMETIC SPECIFICATION PS-45499-002 WITH THE EXCEPTION OF THE SURFACE INDICATED, WHICH IS A CLASS C SURFACE.
 - THIS PRODUCT IS COMPLIANT TO RoHS DIRECTIVE 2002/95/EC AND ELV ANNEX II OF DIRECTIVE 2000/53/EC.

*X=NOT TOOLED	ASSEMBLY MATERIAL NUMBER	SHIELDING OPTION	NUMBER OF REAR GROUND TABS	NUMBER OF PORTS	DIM -A-	DIM -B-	DIM -C-
X	445600022	C	1	2	29.44/1.159	25.68/1.011	32.13/1.265
	445600024	C	3	4	58.19/2.291	54.43/2.143	60.88/2.397

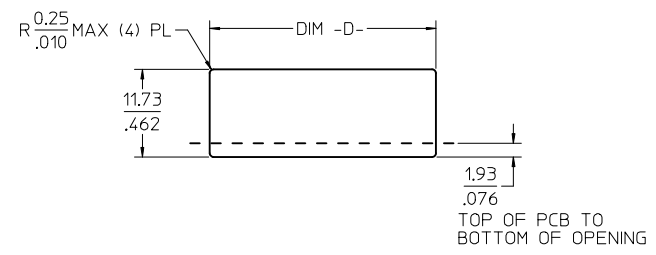
REV	DESCRIPTION	QUALITY SYMBOLS	GENERAL TOLERANCES (UNLESS SPECIFIED)		DIMENSION STYLE		SCALE	DESIGN UNITS	THIRD ANGLE PROJECTION
			mm	INCH	MM/IN	MM/IN			
G5	SEE SHEET 1 EC NO: UCP2017-0798 DRWNA-FENG02 2016/10/10 CHKD: APPR:K-LANG 2016/10/17	▽=0 ▽=0 ▽=0	4 PLACES ±	±	MM/IN	MM/IN	2:1	INCH	THIRD ANGLE PROJECTION
			3 PLACES ±	±.012					
			2 PLACES ±	±0.30					
			1 PLACE ±	±					
			0 PLACE ±	±					
			ANGULAR ±1/2°						
			DRAFT WHERE APPLICABLE MUST REMAIN WITHIN DIMENSIONS						
			SEE CHART						
			MATERIAL NO.						
			DOCUMENT NO.						
			SD-44560-001						
			SHEET NO.						
			3 OF 4						
			THIS DRAWING CONTAINS INFORMATION THAT IS PROPRIETARY TO MOLEX INCORPORATED AND SHOULD NOT BE USED WITHOUT WRITTEN PERMISSION						



2 PORT ASSEMBLY
 PCB LAYOUT : COMPONENT SIDE
 RECOMMENDED PCB THICKNESS: 1.57/.062
 TOLERANCE ±.076/.003 UNLESS OTHERWISE SPECIFIED

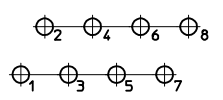


4 PORT ASSEMBLY
 PCB LAYOUT : COMPONENT SIDE
 RECOMMENDED PCB THICKNESS: 1.57/.062
 TOLERANCE ±.076/.003 UNLESS OTHERWISE SPECIFIED



NUMBER OF PORTS	DIM -D-
2	30.20/1.189
4	58.95/2.321

RECOMMENDED
 PANEL OPENING
 SHIELDING OPTIONS
 A AND B



TYPICAL PC TERMINAL HOLE LAYOUT
 SCALE 5:1

NOTES:
 1. DIMENSIONS REFER TO ASSEMBLIES WITH SHIELDING OPTION

SEE SHEET 1 IEC NO: UCP2017-0798 IDRWNAFENG02 2016/10/10 CHKD: CAPPK-KLANG APPR: KLANG REV: G5	QUALITY SYMBOLS 	GENERAL TOLERANCES (UNLESS SPECIFIED) <table border="1"> <thead> <tr> <th></th> <th>mm</th> <th>INCH</th> </tr> </thead> <tbody> <tr> <td>4 PLACES</td> <td>± .15</td> <td>± .005</td> </tr> <tr> <td>3 PLACES</td> <td>± .10</td> <td>± .004</td> </tr> <tr> <td>2 PLACES</td> <td>± .30</td> <td>± .012</td> </tr> <tr> <td>1 PLACE</td> <td>± .50</td> <td>± .020</td> </tr> <tr> <td>0 PLACE</td> <td>±</td> <td>±</td> </tr> </tbody> </table>		mm	INCH	4 PLACES	± .15	± .005	3 PLACES	± .10	± .004	2 PLACES	± .30	± .012	1 PLACE	± .50	± .020	0 PLACE	±	±	DIMENSION STYLE MM/IN	SCALE 2:1	DESIGN UNITS INCH	THIRD ANGLE PROJECTION
		mm	INCH																					
	4 PLACES	± .15	± .005																					
	3 PLACES	± .10	± .004																					
	2 PLACES	± .30	± .012																					
1 PLACE	± .50	± .020																						
0 PLACE	±	±																						
DRAWN BY: MKAMAR DATE: 00/03/28		CHECKED BY: MKAMAR DATE: 00/03/28		COMPACT GANGED CATEGORY 5E MODJACK																				
APPROVED BY: JROBERTS DATE: 00/03/28		MATERIAL NO. SEE CHART																						
DRAFT WHERE APPLICABLE MUST REMAIN WITHIN DIMENSIONS		ANGULAR ±1/2°		DOCUMENT NO. SD-44560-001																				
		SIZE 		SHEET NO. 4 OF 4																				
THIS DRAWING CONTAINS INFORMATION THAT IS PROPRIETARY TO MOLEX INCORPORATED AND SHOULD NOT BE USED WITHOUT WRITTEN PERMISSION																								