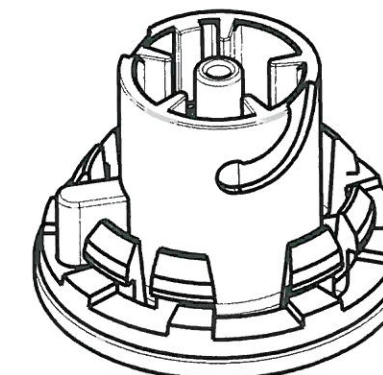
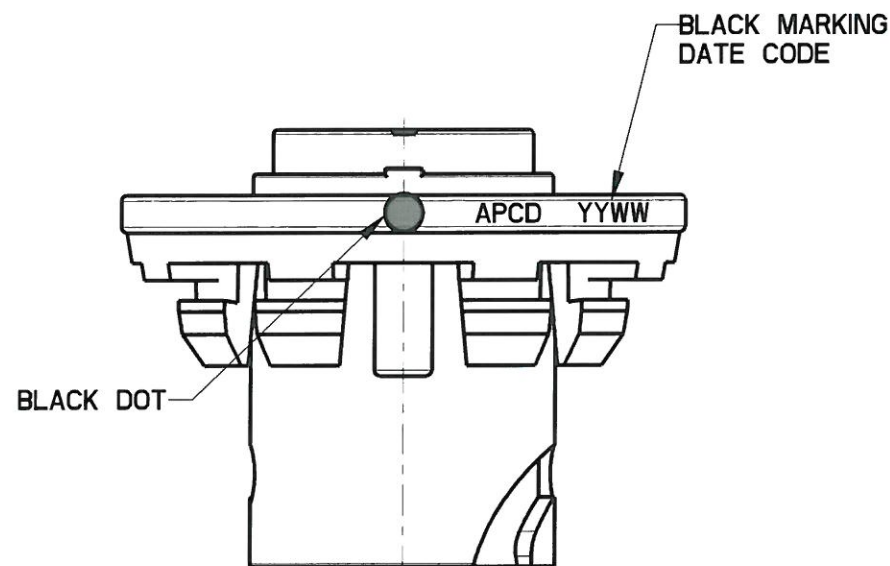
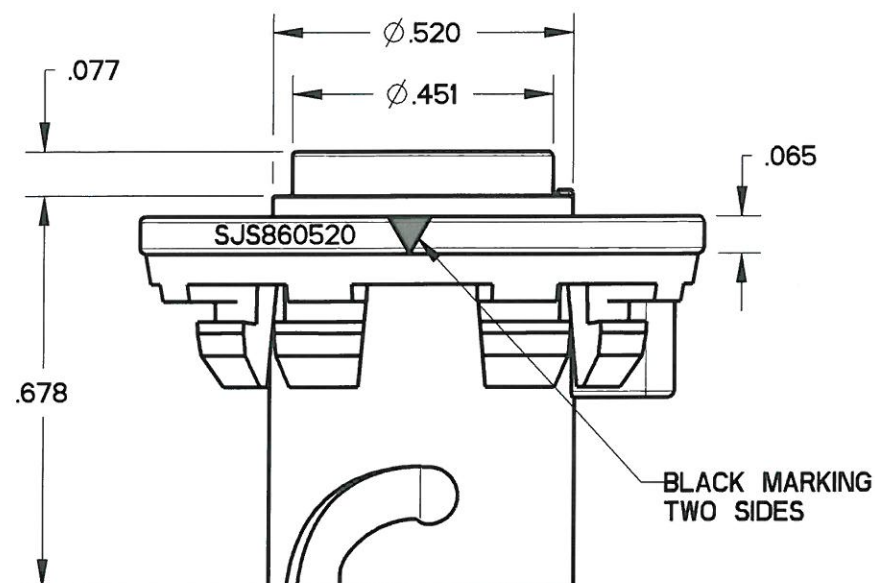
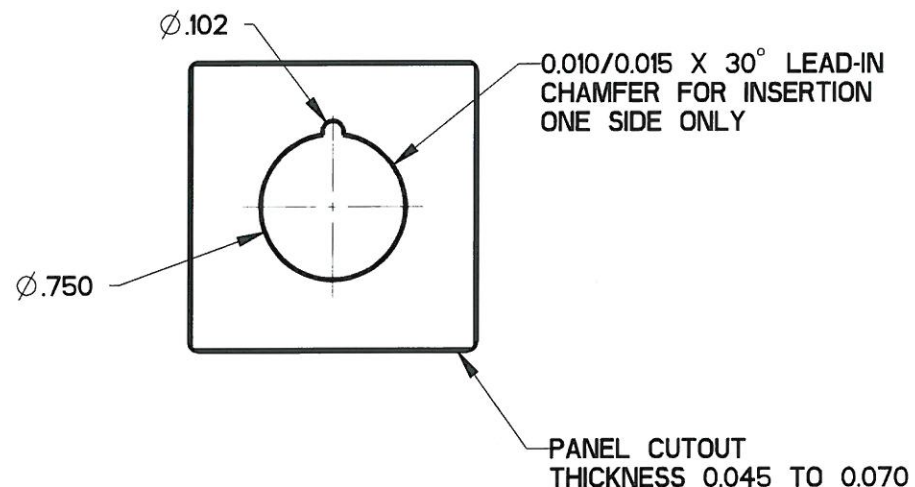
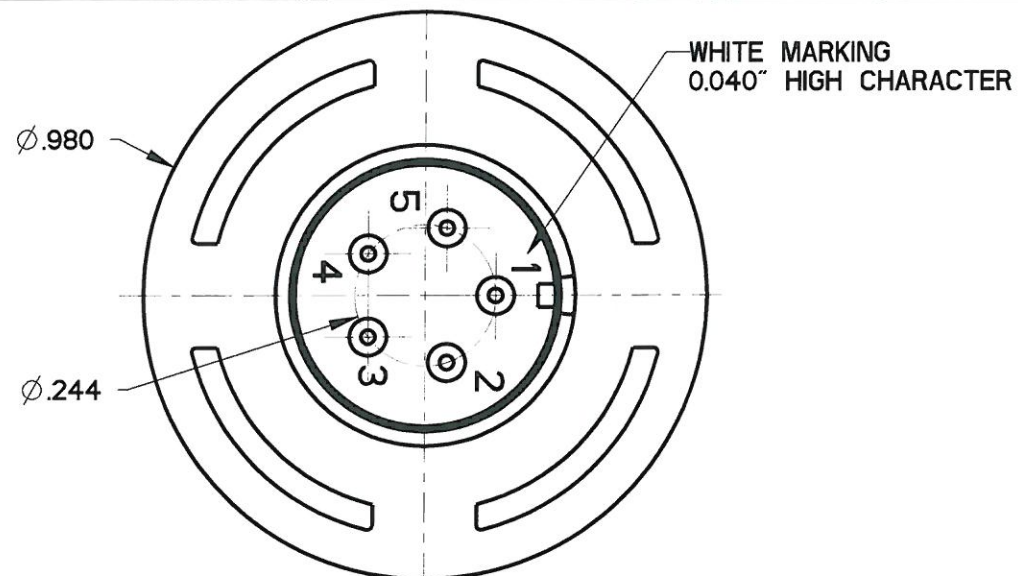
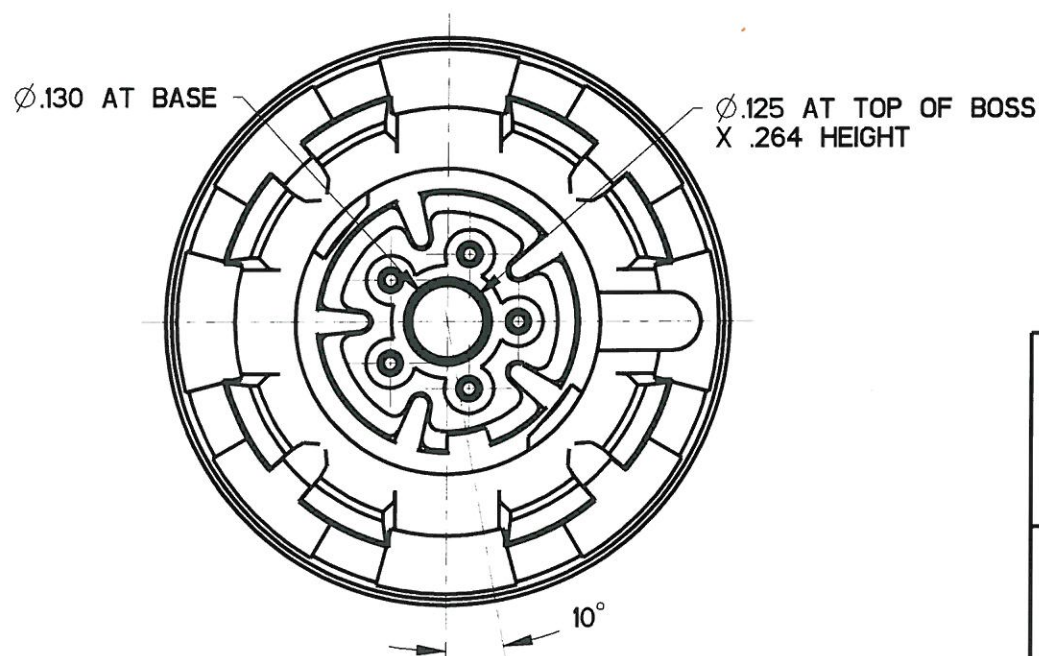


REV	ECN	APP'D
-	6498	JT 3/11/10
A	6564	JT 8/6/10



SCALE 2:1



- NOTES:
- MATERIALS:
HOUSING: PA6/6
CONTACT RETAINER: STAINLESS STEEL
GROMMET: SILICONE RUBBER PER A-A-59588
 - ACCEPTS M39029/58-360 PIN CONTACTS (NOT INCLUDED)
 - PART MATES WITH SJS860510
 - WEIGHT: 3.6 GRAMS
 - SUPPLIED WITH DUST CAP

DIMENSIONS ANSI Y14.5M UNITS: INCHES Pro/E FILE	TOLERANCES .XX ±0.01 .XXX ±0.005 ANGLES ±1.0°	PROJECTION 	Amphenol Pcd SPECIFICATION DRAWING		TITLE 5P SZ22 PANEL WHITE RECEPTACLE FOR SJS			
			ENGR	Frank.Li	15-Mar-09	SIZE	DWG NO.	REV
ORIGINAL 	THIS DOCUMENT CONTAINS PROPRIETARY INFORMATION WHICH IS THE CONFIDENTIAL PROPERTY OF AMPHENOL PCD INC., BEVERLY, MA			CHKD 	APPD 	B	SJS860520_CE	A
				CODE: 58982	SCALE: 3:1	SHEET 1 OF 1		

SJS860520

SJS860520