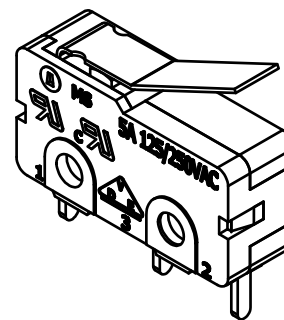
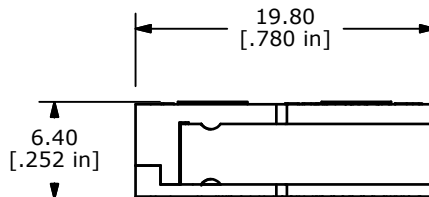


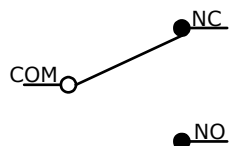
P.C. MOUNTING



ISOMETRIC

O.P. (MM)	P.T. (MM)
13.9±1.5	4.1 MAX

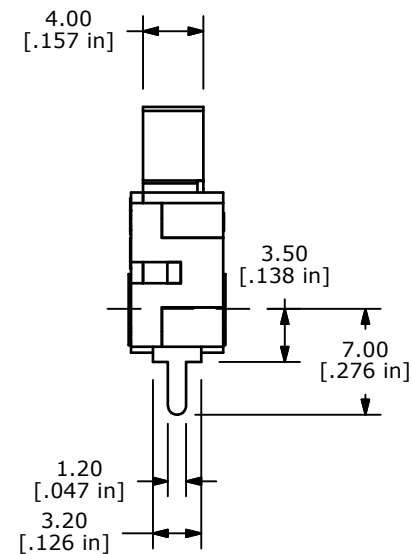
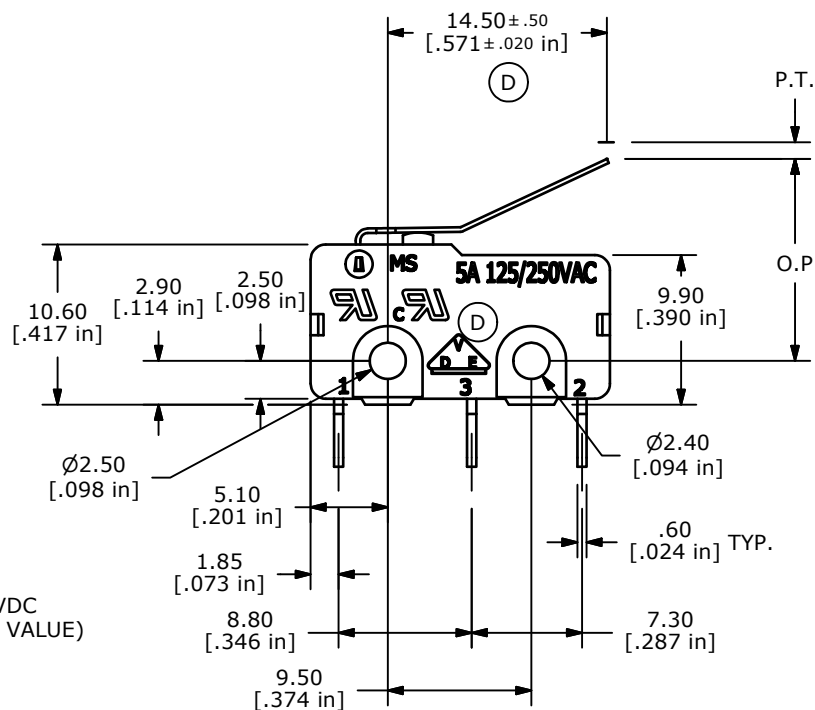
O.P. = OPERATING POINT
P.T. = PRE-TRAVEL



CIRCUIT: SPDT

NOTES:

1. ALL DIMENSIONS IN MM [INCH]
2. GENERAL TOLERANCE: X.X±0.4
X.XX±0.25
3. RATING: 5A @125/250VAC UL, CUL, VDE APPROVED
- ▲4. OPERATING FORCE: 35± 20 GRAMS
5. OPERATING TEMP: -25°C TO 85°C
6. ELECTRICAL LIFE: 50,000 CYCLES MIN.
7. MECHANICAL LIFE: 1,000,000 CYCLES TYP.
8. INSULATION RESISTANCE: 100 MEGA-OHMS AT 500VDC
9. DIELECTRIC STRENGTH: 1000VAC 1 MINUTE (INITIAL VALUE)
10. CONTACT RESISTANCE: 100 MILLI-OHMS MAX.
11. ▲ DENOTES CRITICAL PARAMETER.
12. 2002/95/EC (ROHS) COMPLIANT



A	20299	RELEASED FOR PRODUCTION	11/21/11	BMA
REV	PCR NO	DESCRIPTION	DATE	BY

TITLE MS0850506F035P1A				
SCALE	DATE	DR	DWG	REV
2:1	11/21/2011	rc	Q970118	A

THE INFORMATION CONTAINED IN THIS DOCUMENT IS PROPRIETARY TO E-SWITCH AND IS NOT TO BE COPIED OR TRANSFERRED