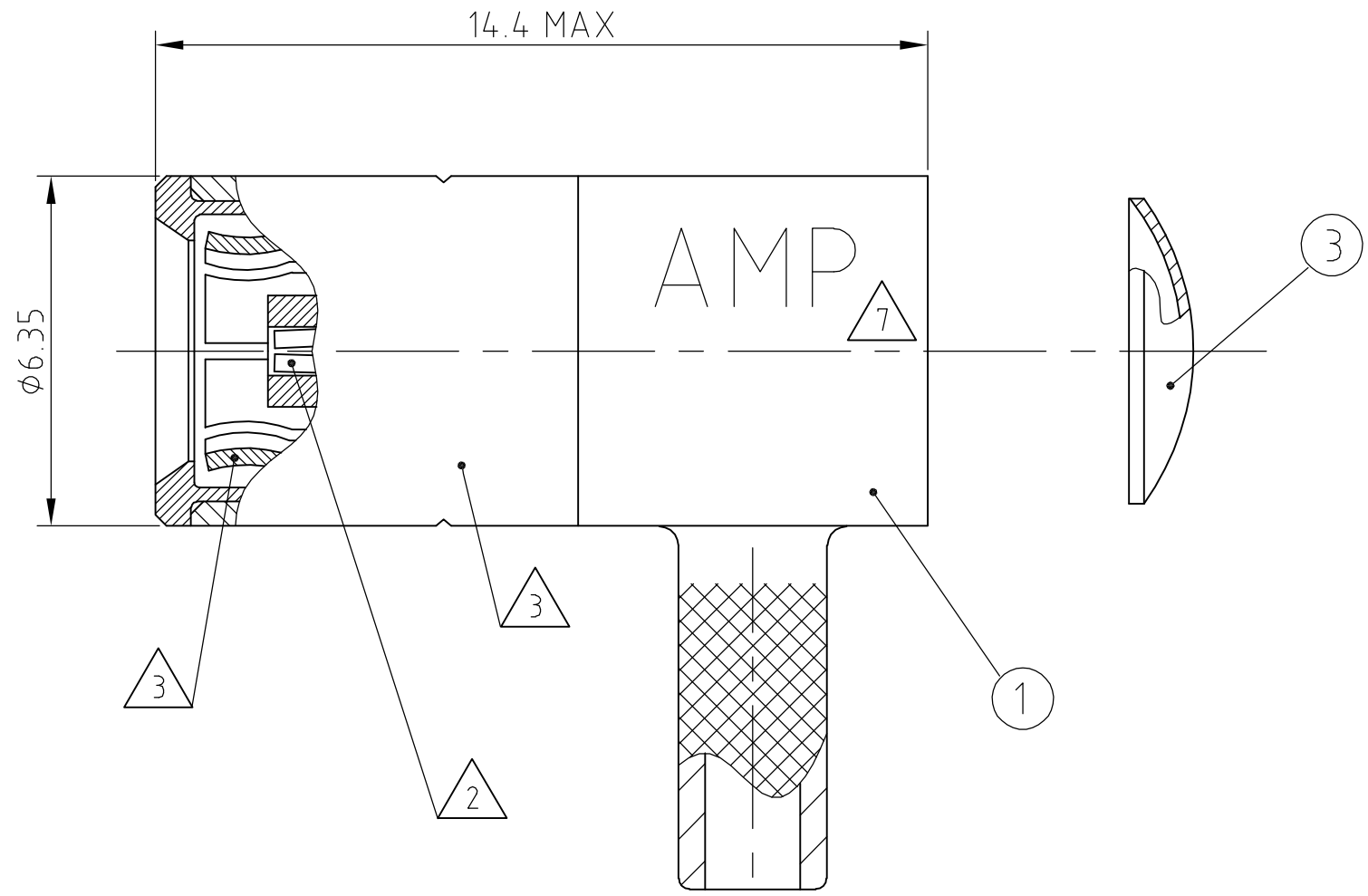
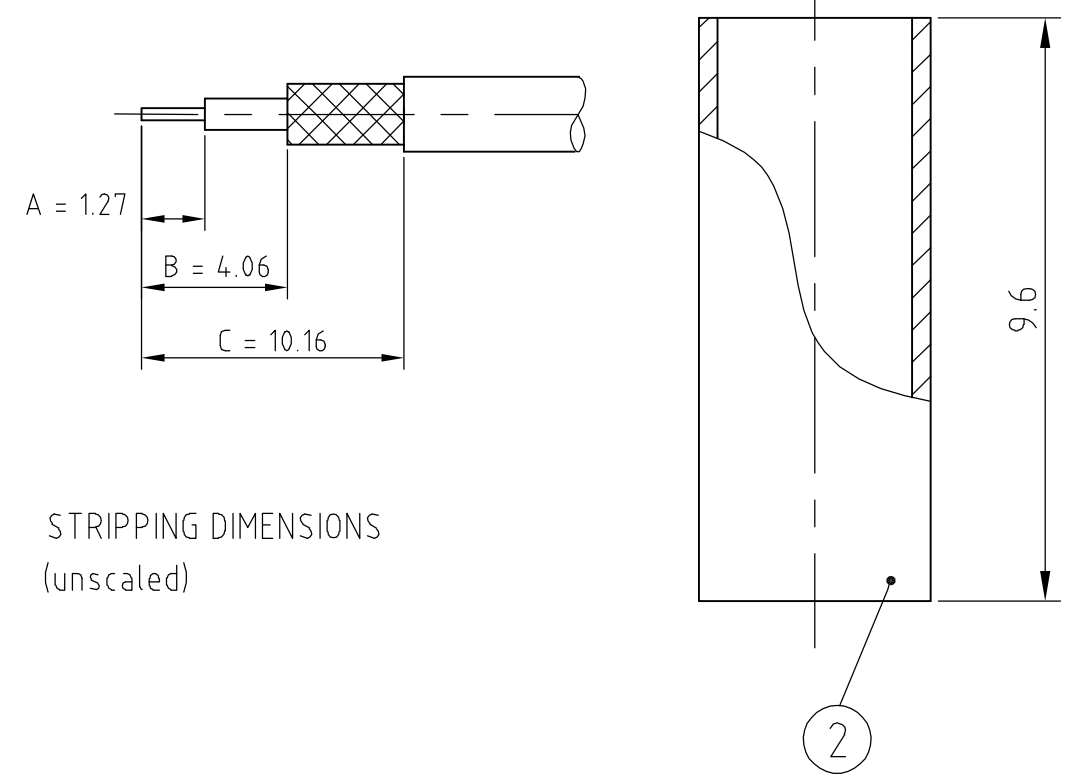


THIS DRAWING IS UNPUBLISHED. RELEASED FOR PUBLICATION OCTOBER, 2002.
 © COPYRIGHT 2002 BY TYCO ELECTRONICS CORPORATION. ALL RIGHTS RESERVED.

| | | | | | |
|-----------|------------|--------------|---------|-----|------|
| LOC EK | DIST 00 | REVISIONS | | | |
| P | LTR | DESCRIPTION | DATE | DWN | APVD |
| | C | EBD0-0298-04 | 26JUL04 | JMS | SP |



- 1 COMPLIES WITH MIL-C-39012
- 2 PLATING: 1.27 μm MIN Au OVER Ni
- 3 PLATING: Ni
- 4 1000 SMB IN A CARTON BOX
- 5 CABLETYP: RG174
- 6 SEE INSTRUCTION SHEET: 408-2987-9
- 7 AMP LOGO



| 619203-1 | 3 | 1 | CAP | BRASS | 3 |
|--|------|-----|--|---|----------------------|
| 4 | 2 | 1 | FERRULE | BRASS | 3 |
| | 1 | 1 | PLUG ASSY | - | 2, 3 |
| ORDER N° | ITEM | NBR | DESCRIPTION | MATERIAL | PLATING |
| THIS DRAWING IS A CONTROLLED DOCUMENT. | | | DWN F. Rossier 05NOV02 | Tyco Electronics Corporation RF Team, Switzerland | |
| | | | CHK B. Rithener 05NOV02 | | |
| DIMENSIONS: MM | | | TOLERANCES UNLESS OTHERWISE SPECIFIED: | | |
| | | | 0 PLC ± 0.3 | COAX, SERIES SMB, RA PLUG, 50 OHM ANTI-STUB VERSION | |
| | | | 1 PLC ± 0.3 | | |
| | | | 2 PLC ± 0.13 | | |
| | | | 3 PLC ± - | | |
| | | | 4 PLC ± - | | |
| MATERIAL | | | FINISH | RESTRICTED TO | |
| | | | | - | |
| | | | WEIGHT | - | |
| CUSTOMER DRAWING | | | SIZE A3 | CAGE CODE 00779 | DRAWING NO 619203 |
| | | | SCALE 15:1 | SHEET 1 OF 1 | REV C |