

THIS DRAWING IS UNPUBLISHED.

RELEASED FOR PUBLICATION

2007

© COPYRIGHT 2007

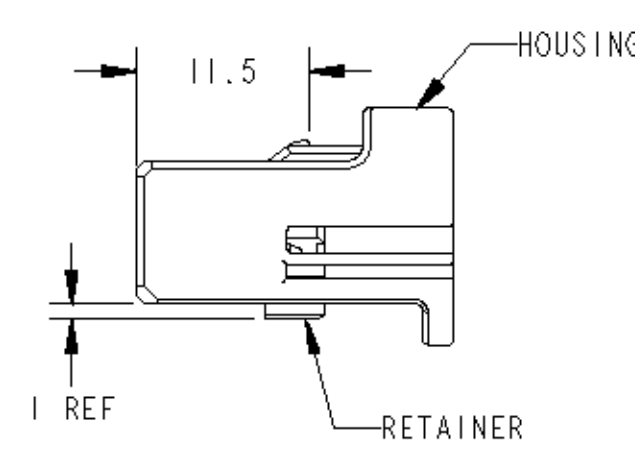
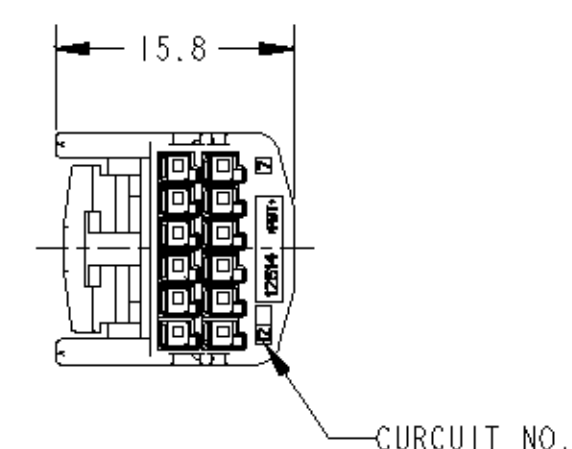
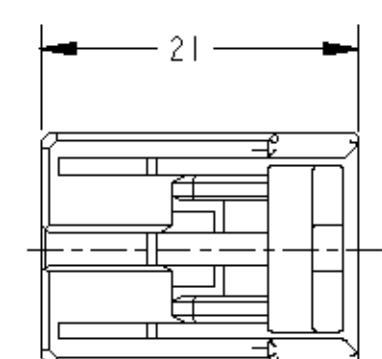
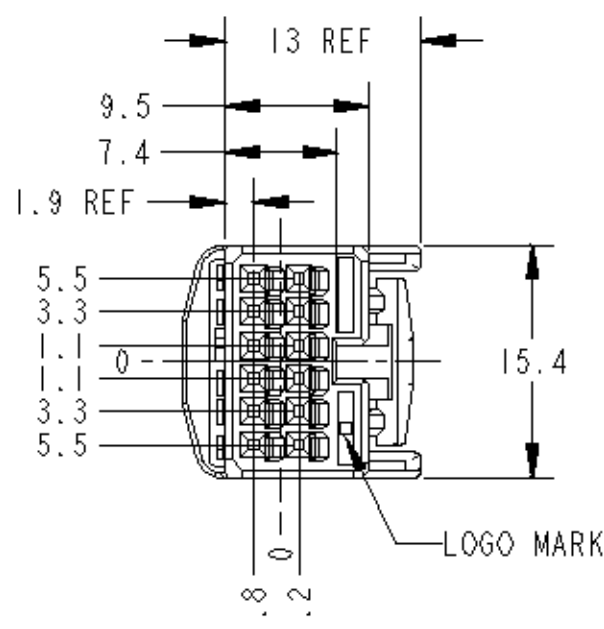
ALL RIGHTS RESERVED.

LOC  
J

DIST  
-

REVISIONS

P	LTR	DESCRIPTION	DATE	DWN	APVD
	A	RELEASED	26APR2007	YS	TH
	B	REVISED ECR-10-007504	17MAY10	SF	KB
	B1	REVISED ECR-14-005496	14APR2014	TS	KB



- 1. RETAINER SHOULD BE SENT TO THE PRE-ASSEMBLY.
- 2. INSTRUCTION SHEET NO. 411-78080.
- 3. PART NUMBER OF CAP HOUSING TO BE MATED: SEE TABLE-1
- 4. APPLIED TERMINALS: SEE TABLE-2

- 1. プラグハウジングのリテーナを仮停止して出荷される。
- 2. 取扱説明書NO. 411-78080
- 3. 嵌合相手型番: TABLE-1参照
- 4. 適用端子: TABLE-2参照

TABLE-1


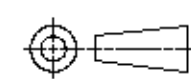
CAP ASSEMBLY PART NO. キャップ 型番
1473773
1747080
1747082

TABLE-2

	TERMINAL NO. 端子型番	APPLICABLE WIRE RANGE 適用電線
SIGNAL 0.64111	TIN	1674311-1
	SELECTIVE GOLD	1674311-2
		AVSS/CAVS/CAVUS/AVSSH-f 0.3~0.5mm <sup>2</sup>

PACKING STYLE 梱包形態	COLOR	PART NUMBER
PAPER BOX ダンボール	BLACK	1747375-2
PLASTIC BAG ビニール袋	NATURAL	1747375-1
OUTER 外装	INNER 内装	

THIS DRAWING IS A CONTROLLED DOCUMENT.

DIMENSIONS: 単位: mm	TOLERANCES UNLESS OTHERWISE SPECIFIED: 一般 ±0.3	DWN Y. SHINDO 26APR2007	 TE Connectivity 0.64111 SERIES 12 POSITION PLUG HOUSING ASSY KEYING
	0-PLG ±	CHK T. HAYASHI 26APR2007	
	1-PLG ±0.1	APVD H. YAMAGAMI 26APR2007	
	2-PLG ±0.01	PRODUCT SPEC 108-5931	
	3-PLG ±0.001	APPLICATION SPEC 114-5329	SIZE A3
	4-PLG ±0.000	WEIGHT 2.3g	CAGE CODE 00779
	ANGLES ±3'00"	CUSTOMER DRAWING	DRAWING NO C=1747375
MATERIAL PBT	FINISH SEE TABLE	RESTRICTED TO -	SCALE 2:1
			SHEET 1 OF 1
			REV B1