

THIS DRAWING IS UNPUBLISHED.

RELEASED FOR PUBLICATION

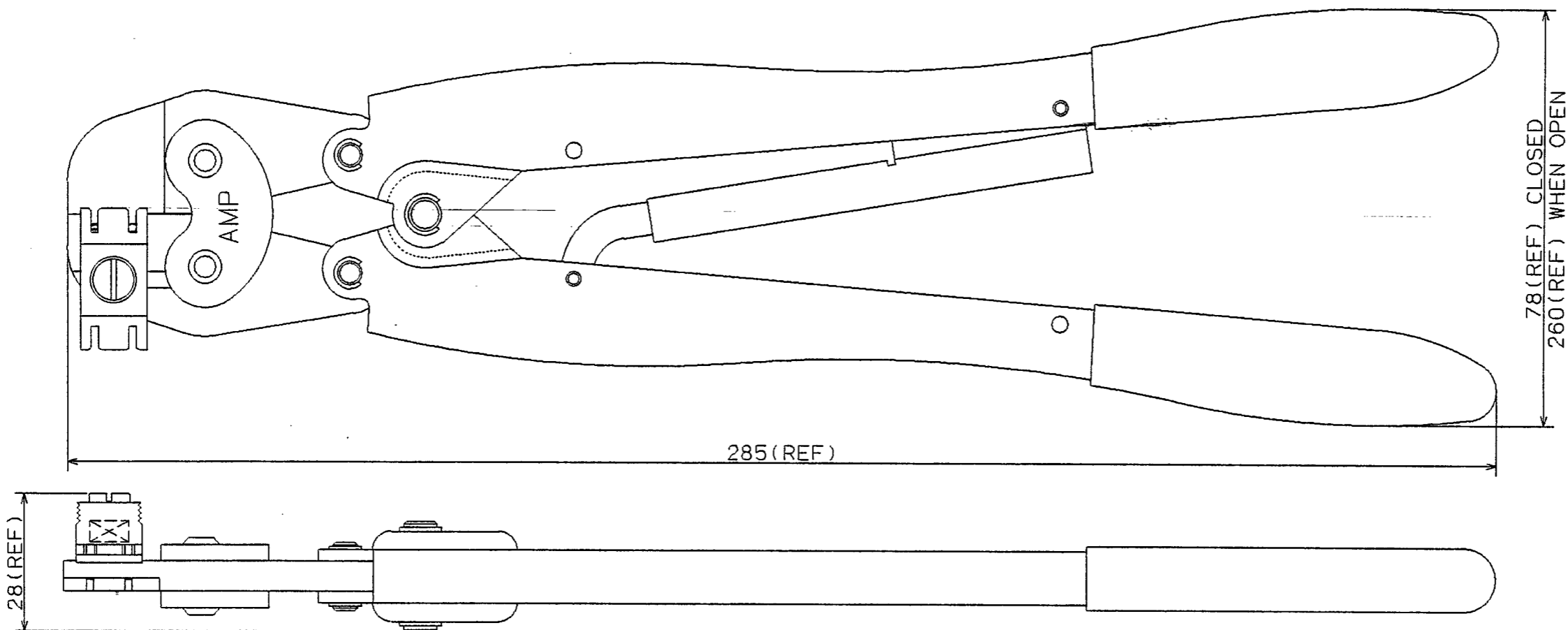
20

© COPYRIGHT 20 BY TYCO ELECTRONICS CORPORATION. ALL RIGHTS RESERVED.

LOC J DIST -

REVISIONS

P	LTR	DESCRIPTION	DATE	DWN	APVD
	A	REDRAWN W/R FJ00-2119-02	04-Oct-02	J.K	S.Y



CRIMP SYMBOL	TERMINAL NO	WIRE SIZE AWG(mm ²)	INS RANGE (mm)	TERMINAL CH(mm)		IS NO	APPL SPEC	WEIGHT (g)
	L.P.			WIRE	INS			
圧着部記号	適用端子型番	電線サイズ	絶縁被覆径	圧着高さ		取扱説明書番号	取付適用規格	重量
	ハ"ラ状			芯線部	被覆部			
22-20	1674075-1	#22-20 (0.37-0.56)	-	0.84-1.00	-	411-5981	114-5032	530
INS	1318143-1/-2 1376607-1/-2	-	1.1-1.6	-	1.6REF		5250 5291	

THIS DRAWING IS A CONTROLLED DOCUMENT FOR TYCO ELECTRONICS CORPORATION. IT IS SUBJECT TO CHANGE AND THE CONTROLLING ENGINEERING ORGANIZATION SHOULD BE CONTACTED FOR THE LATEST REVISION.

DIMENSIONS: mm	TOLERANCES UNLESS OTHERWISE SPECIFIED:	DWN J.KOGA 04-Oct-02	Tyco Electronics AMP K.K. Kawasaki, Japan
	0 PLC ±-	CHK J.KOGA 04-Oct-02	
		1 PLC ±-	APVD S.YABE 04-Oct-02
MATERIAL		FINISH	PRODUCT SPEC
	APPLICATION SPEC		DOUBLE ACTION HAND TOOL (025 G-Tab, 025 Tab and Rec Contact)
		WEIGHT	SIZE CAGE CODE DRAWING NO RESTRICTED TO
		CUSTOMER DRAWING	A3 00779 C=1463260-1
			SCALE - SHEET OF REV A