

CODE	DIM "M" MATING LENGTH	CONTACT TYPE
PF	[2.34]	POWER
F	[N/A]	SIGNAL
HA	[N/A]	HOLD-DOWN
PC	[1.07]	POWER



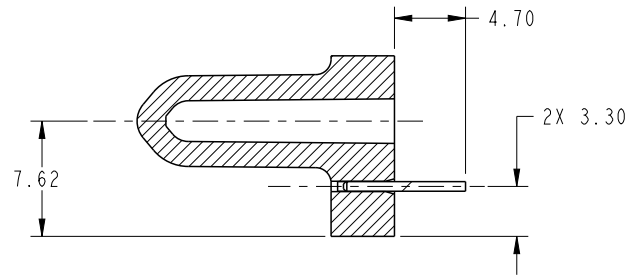
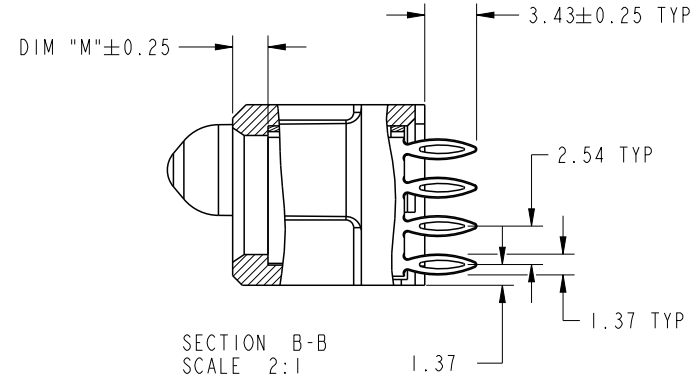
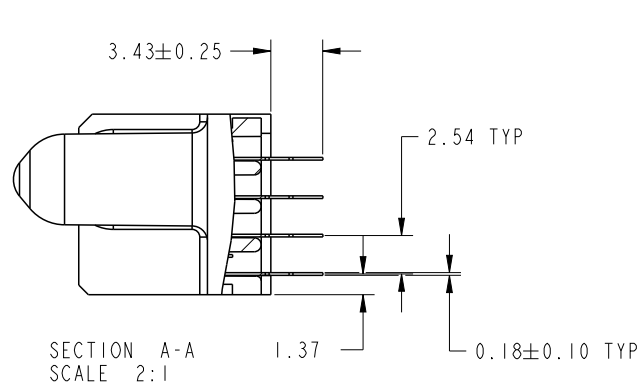
Copyright FCI.

spec ref	See Notes		dr	X Q Wang	2011/05/14	projection 	MM ←→	size	A4	scale	17:16
tolerance std	TOLERANCES UNLESS OTHERWISE SPECIFIED		eng	X Q Wang	2011/06/14			ecn no	-		
See Notes			chr	-	-			rel level	Released		
surface	linear	0.X ±0.5 0.XX ±0.25 0.XXX ±0.1	appr	Pei-Ming Zheng	2011/06/15	product family	PwrBlade	rev	A		
	angular	0° ±2°	www.fci.com		cat. no.	-	Product - Customer Drw	sheet 1 of 4			

Prod File - REV C - 2009-06-09

PRODUCT NUMBER

51940-388\_\_  
NOTE: 3



spec ref		See Notes		dr	X Q Wang	2011/05/14	projection 	MM 	size	A4	scale	17:16
tolerance std		TOLERANCES UNLESS OTHERWISE SPECIFIED		eng	X Q Wang	2011/06/14			ecn no	-		
See Notes				chr	-	-			rel level	Released		
surface	✓	linear	0.X	±0.5		title	10P + 20S + 10P	dwg no	51940-388	rev	A	
			0.XX	±0.25								
			0.XXX	±0.1								
angular	0°	±2°	www.fci.com	cat. no.	-	Product - Customer Drw	sheet 2 of 4					

PRODUCT NUMBER

51940-388\_  
NOTE: 3

A

B

C

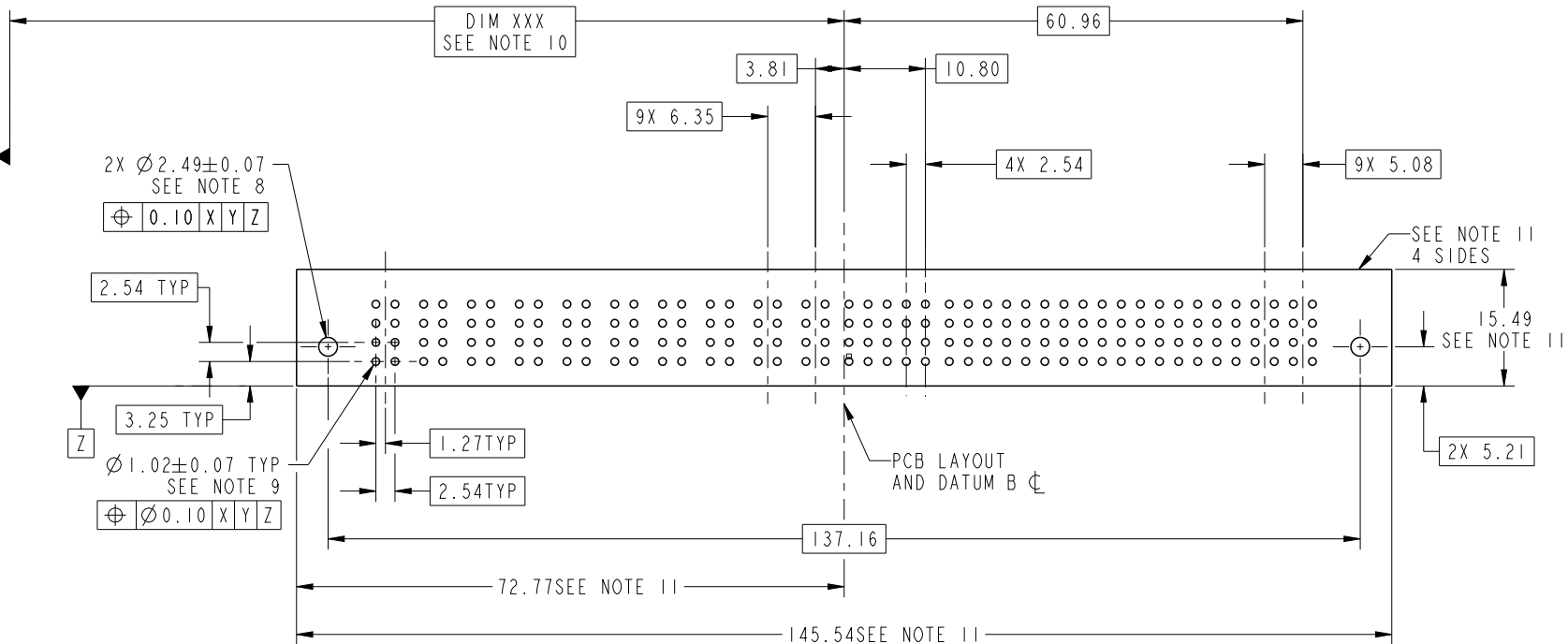
D

A

B

C

D



RECOMMENDED PCB LAYOUT

spec ref	See Notes	dr	X Q Wang	2011/05/14	projection 	MM 	size	A4	scale	17:16
tolerance std	TOLERANCES UNLESS OTHERWISE SPECIFIED	eng	X Q Wang	2011/06/14			ecn no	-		
See Notes		chr	-	-						
surface	linear	appr	Pei-Ming Zheng	2011/06/15	product family	PwrBlade	rel level	Released		
	angular				title	10P + 20S + 10P VERTICAL PRESS-FIT RECEPT	dwg no	51940-388		
					cat. no.	-	Product - Customer Drw	sheet 3 of 4		
							rev	A		



Copyright FCI.

PRODUCT NUMBER

51940-388\_-  
NOTE: 3

NOTES:

1. DIMENSIONS AND TOLERANCES ARE IN ACCORDANCE WITH ASME Y14.5M, 1994 UNLESS OTHERWISE SPECIFIED.

CONNECTOR NOTES:

- 2 HOUSING MATERIAL: UL 94 V-0 GLASS FILLED HIGH-TEMP THERMOPLASTIC  
POWER CONTACT MATERIAL: COPPER ALLOY  
SIGNAL PIN MATERIAL: COPPER ALLOY
  - 3. SEE ITEM 7 & 8 IN PRINT I0064183 FOR PLATING SPEC OF 51940-388 AND 51940-388LF RESPECTIVELY.
  - 4 MANUFACTURER'S NAME, DATE CODE AND OPTIONAL P/N TO APPEAR ON THIS SURFACE. THE P/N CAN BE OMITTED IF THERE IS NOT ENOUGH SPACE ON THIS SURFACE.
  - 5. PRODUCT SPECIFICATION GS-12-149.  
APPLICATION SPECIFICATION BUS-20-067.
  - 6. PACKAGED IN TRAYS.
- PCB NOTES:
- 7. ALL HOLE DIAMETERS ARE FINISHED HOLE SIZE.
  - 8 MOUNTING HOLES, WHERE APPLICABLE, ARE UNPLATED.
  - 9  $\varnothing 1.151 \pm 0.025$  DRILLED HOLES PLATED WITH  
0.008 MIN SnPb OR Sn OVER 0.03  
TO 0.08 Cu PLATING TO ACHIEVE  
 $\varnothing 1.02 \pm 0.07$  HOLE.
  - 10 "DIM XXX" TO BE DETERMINED BY THE CUSTOMER.
  - 11 CONNECTOR KEEP-OUT ZONE.
  - 12. THE VOID CORING IN BETWEEN POWER MODULES, SIGNAL MODULES AND END MODULES ARE OPTIONAL AND THE SHAPE MAY BE DIFFERENT FOR OPTIMIZE THE MOLDING PROCESS. THE VOID CORING WILL NOT EFFECT TO PRODUCT FUNCTION.

spec ref		See Notes		dr	X Q Wang	2011/05/14	projection 	MM 	size	A4	scale	1:1
tolerance std		TOLERANCES UNLESS OTHERWISE SPECIFIED		eng	X Q Wang	2011/06/14			ecn no	-		
See Notes				chr	-	-						
surface		linear		appr	Pei-Ming Zheng	2011/06/15	product family		PwrBlade	rel level	Released	
		0.X		FCI		title		10P + 20S + 10P		rev		
		0.XX		www.fci.com		VERTICAL PRESS-FIT RECEPT		51940-388		A		
		0.XXX		cat. no.		-		Product - Customer Drw		sheet 4 of 4		
		angular		0°		±2°						



Copyright FCI.