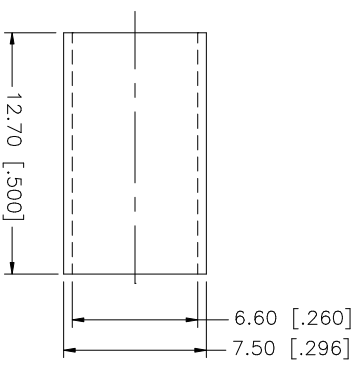
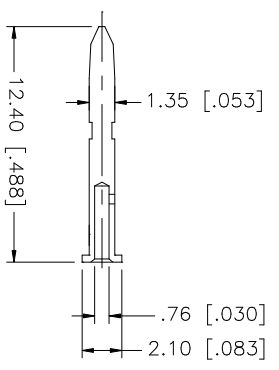
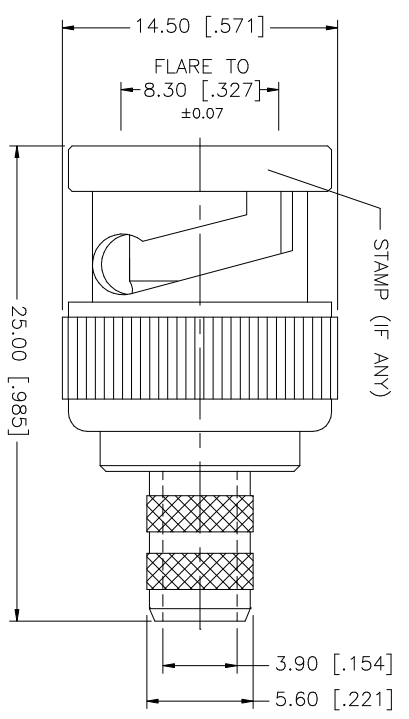
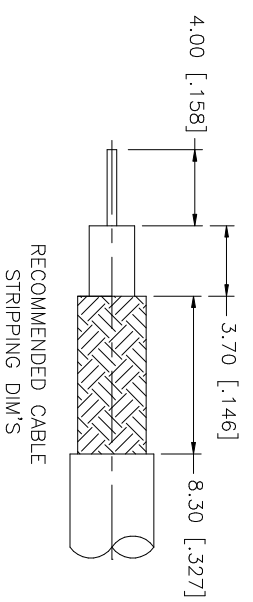


REV.	DATE	DESCRIPTION
A	11/21/03	UPDATE DRAWING FORMAT



CRIMP NOTES:

1. CRIMPED FERRULE
HEX CRIMP SIZE .255"
2. CRIMPED CONTACT PIN
HEX CRIMP SIZE .043"

QTY	FINISH	MATERIAL	DESCRIPTION
1	NICKEL	BRASS	BODY
1	GOLD	BRASS	CONTACT PIN
1	NATURAL	TEFLON	INSULATOR
1	NICKEL	COPPER	FERRULE

APPROVALS	DATE
DRAWN G.R.S.	11/21/03
CHECKED	
ISSUED	
SHEET 1 OF 1	

DO NOT SCALE DRAWING	CAD FILE	DWG. NO.	REV.	SIZE	SCALE
	C:/112/112952.DWG	112952.DWG	A	A	NA

Amphenol Connex

BNC CRIMP PLUG
(FOR BELDEN 8241, RG-59/U)

112952