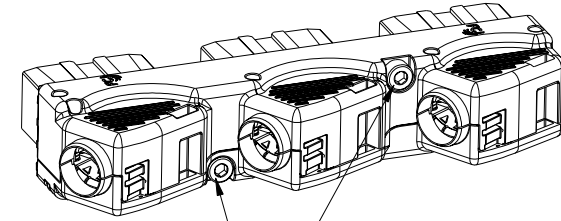
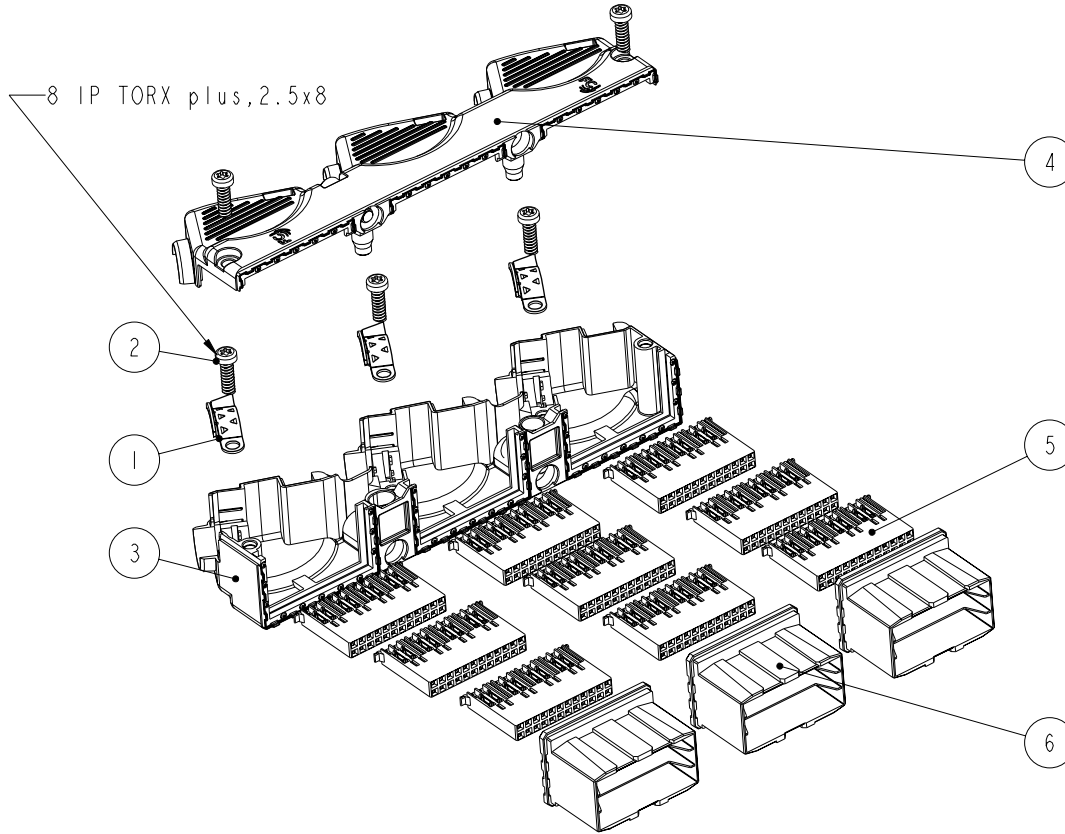


PART NUMBER:
10110224-101LF

72 Pair Cable Connector



Hexagon M2.5x3
(Pre-assembled in cover-parts)

| | | |
|-----------|------------------------------|-----|
| 6 | SHROUD | 3 |
| 5 | TERMINAL BLOCK ASSEMBLY | 9 |
| 4 | SUB-ASS'Y TOP-COVER | 1 |
| 3 | SUB-ASS'Y BOTTOM-COVER | 1 |
| 2 | CONNECTOR SELF TAPPING SCREW | 5 |
| 1 | CLAMP | 3 |
| INDEX NO. | TITLE I | QTY |



Copyright FCI.

| rev | ecn no | dr | date |
|-----|----------|-----|------------|
| A | N10-0022 | R.B | 12/08/2009 |
| - | - | - | - |
| - | - | - | - |
| - | - | - | - |

| | | | | | | |
|--------------------|-------------|---------------------|-------------------------------------|------------------|---------------------------------------|----------|
| www.fciconnect.com | | surface ISO 1302 | tolerance std ISO 406 / ISO 1101 | projection mm | TOLERANCES UNLESS OTHERWISE SPECIFIED | |
| Dr | Rick Bian | 12/08/2009 | ANGULAR | 0.x | ±- | size |
| Eng | Rick Bian | 12/08/2009 | LINEAR | 0.xx | ±- | A3 |
| Chr | Daniel Tao | 12/08/2009 | 0° ±° | 0.xxx | ±- | ECN |
| Appr | Joseph Hsia | 12/08/2009 | Product family | Metral | Spec ref | |
| Title | | | ASSEMBLY KIT | | dwg no | 10110224 |
| Title | | | METRAL HDXS CABLE CONNECTOR | | Rev. | A |
| catalog no | | | CUSTOMER | | sheet 1 of 4 | |

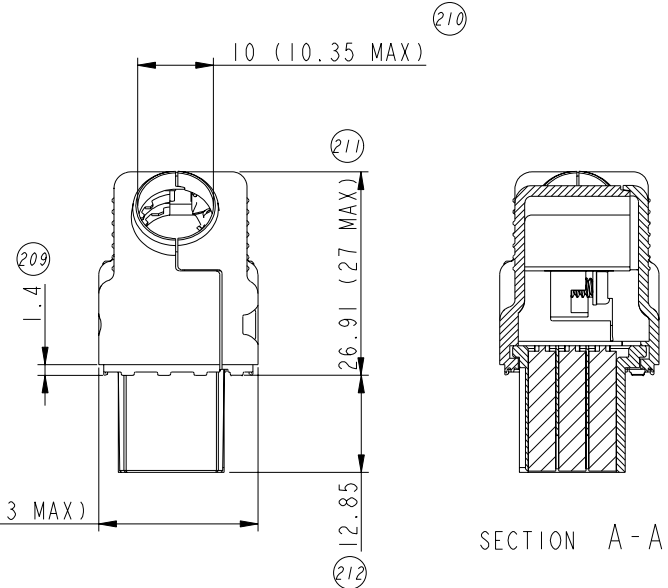
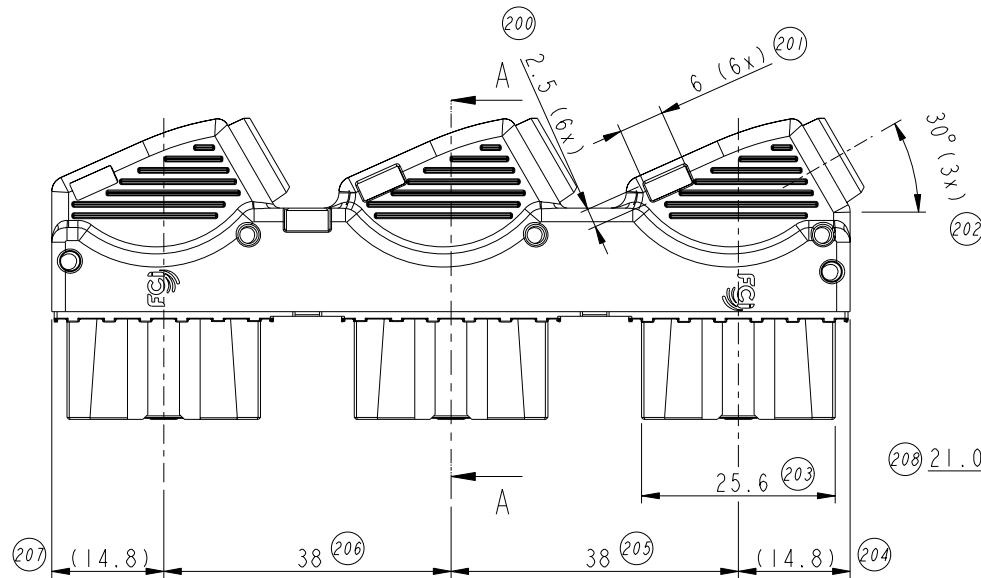
REV F - 2006-04-17

PART NUMBER:
10110224-101LF

TOP CABLING

A

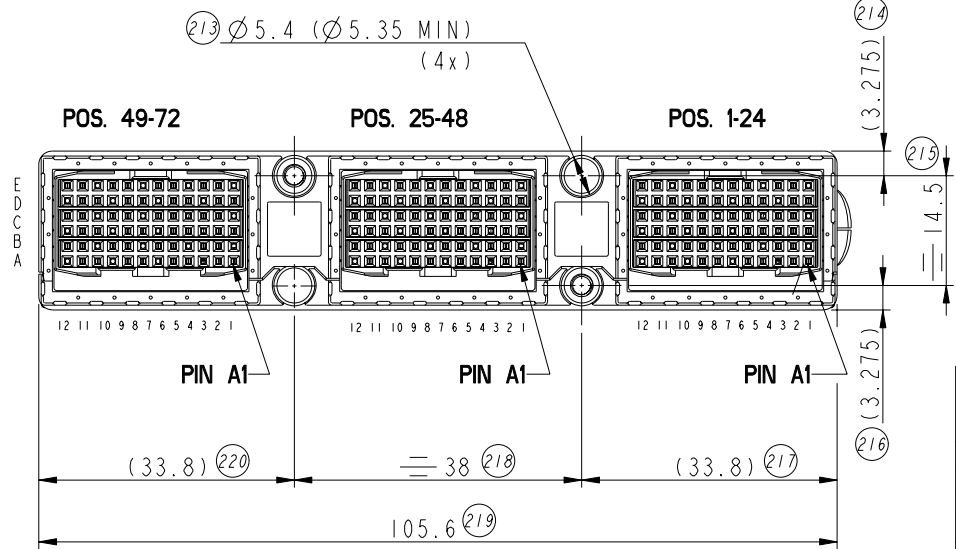
B



SCALE 3:2

C

D



Copyright FCI.

| | | | | | |
|--------------------|-------------|---------------------------------------|-------------------------------------|-----------------------------|----------|
| www.fciconnect.com | | surface ISO 1302 | tolerance std ISO 406 / ISO 1101 | projection mm | |
| | | TOLERANCES UNLESS OTHERWISE SPECIFIED | | | |
| Dr | Rick Bian | 12/08/2009 | ANGULAR | 0.x | ± |
| Eng | Rick Bian | 12/08/2009 | LINEAR | 0.xx | ± |
| Chr | Daniel Tao | 12/08/2009 | 0° ±° | 0.xxx | ± |
| Appr | Joseph Hsia | 12/08/2009 | Product family | Metral | Spec ref |
| | | Title | | ASSEMBLY KIT | |
| | | Title | | METRAL HDXS CABLE CONNECTOR | |
| | | catalog no | | - | |
| | | dwg no | | 10110224 | |
| | | Rev. | | A | |
| | | CUSTOMER | | sheet 2 of 4 | |

Highest balloon number: 220
Removed balloon numbers:

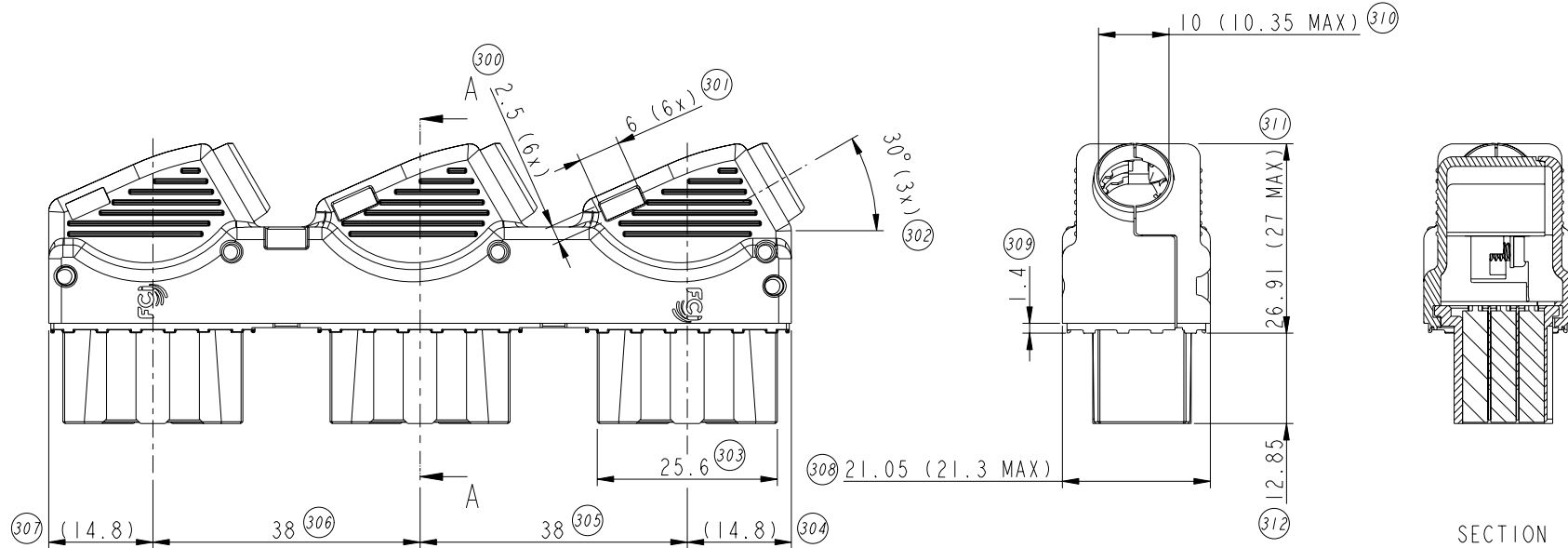
REV F - 2006-04-17

PART NUMBER:
10110224-101LF

BOTTOM CABLING

A

B

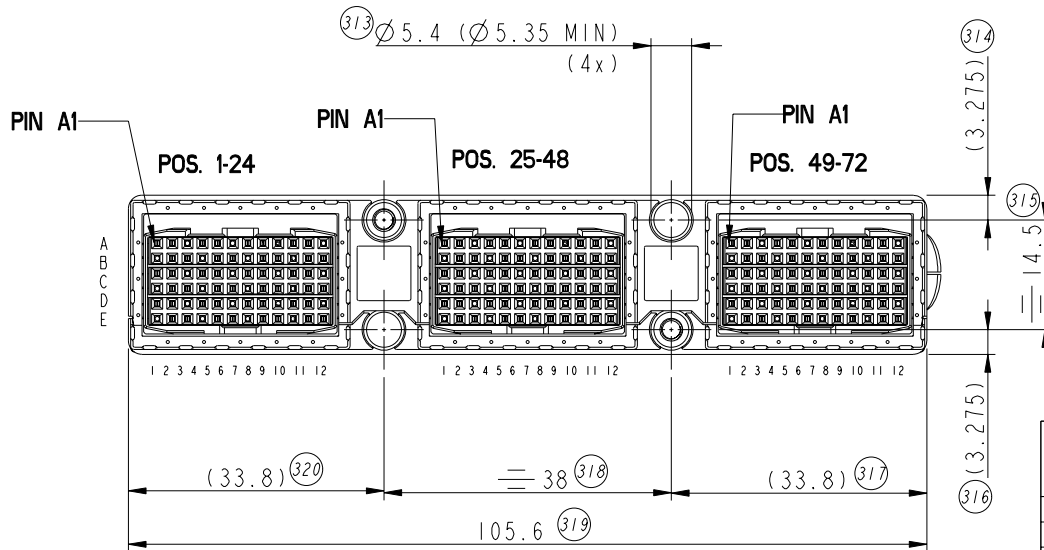


SECTION A-A

SCALE 3:2

C

D



Copyright FCI.

| | | | | | |
|--------------------|-------------|--|-------------------------------------|--------------------|--------------|
| www.fciconnect.com | | surface ISO 1302 | tolerance std ISO 406 / ISO 1101 | projection mm | |
| | | TOLERANCES UNLESS OTHERWISE SPECIFIED | | | |
| Dr | Rick Bian | 12/08/2009 | ANGULAR | 0.x | ±- |
| Eng | Rick Bian | 12/08/2009 | LINEAR | 0.xx | ±- |
| Chr | Daniel Tao | 12/08/2009 | 0° ±° | 0.xxx | ±- |
| Appr | Joseph Hsia | 12/08/2009 | Product family | Metral | Spec ref |
| | | title ASSEMBLY KIT METRAL HDXS CABLE CONNECTOR | | dwg no 10110224 | Rev. A |
| | | catalog no | | CUSTOMER | sheet 3 of 4 |

Highest balloon number: 320
Removed balloon numbers:

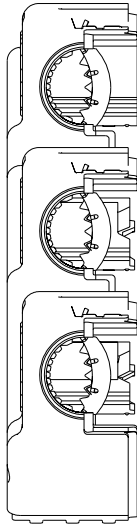
REV F - 2006-04-17

PART NUMBER:
10110224-101LF

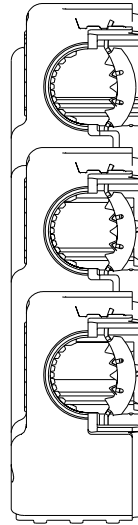
Cable diameter and cable clamp position

Cable Clamp at pos.A
for cable diameters
Ø 7mm-Ø 8mm

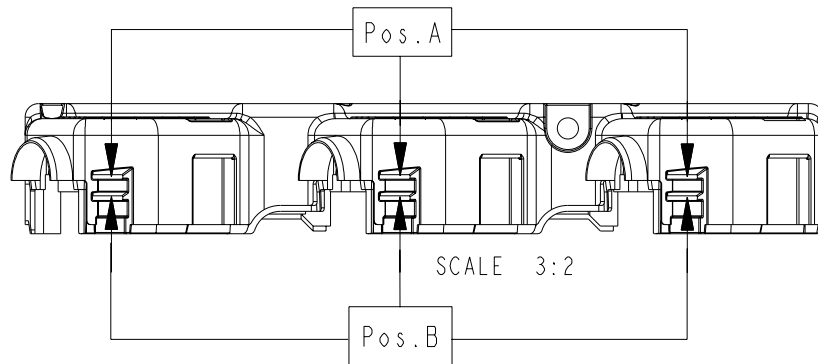
Cable Clamp at pos.B
for cable diameters
Ø 9mm-Ø 10mm



SCALE 3:2



SCALE 3:2



SCALE 3:2

NOTES:

1. Product specification: GS-12-485.
2. Application specification: GS-20-091.
3. Packaging specification: GS-14-1265.
4. Performance level: Telcorida CO.
5. Flammability classification: UL94 V-0.
6. RoHS Compliant.
7. Wire size: AWG24

| | | | | | |
|--------------------|-----------------------|---------------------------------------|-------------------------------------|------------------|-----------|
| www.fciconnect.com | | surface ISO 1302 | tolerance std ISO 406 / ISO 1101 | projection mm | |
| | | TOLERANCES UNLESS OTHERWISE SPECIFIED | | | |
| Dr | Rick Bian | 12/08/2009 | ANGULAR | 0.X | ±- |
| Eng | Rick Bian | 12/08/2009 | LINEAR | 0.XX | ±- |
| Chr | Daniel Tao | 12/08/2009 | 0° ±° | 0.XXX | ±- |
| Appr | Joseph Hsia | 12/08/2009 | Product family | Metral | Spec ref |
| | title ASSEMBLY KIT | | dwg no 10110224 | | Rev. A |
| | | METRAL HDXS CABLE CONNECTOR | | CUSTOMER | |
| | | catalog no | | sheet 4 of 4 | |

Copyright FCI.