

**NOTE:**

1. BERYLLIUM COPPER 0.1 THICK
2. FINISH: NICKEL UNDERPLATE 1.0/3.0 MICRONS
3. PRE-LOAD FORCE: 0.39 N @ CONTACT POINT
4. FORCE @ MAXIMUM DEFLECTION: 0.68 N @ CONTACT POINT
6. RINGED DIMENSIONS AND GEOMETRIC TOLERANCE ARE CRITICAL.
7. 9500 PCS ONE REEL WITH 100 LEADER EMPTY POCKETS AND 100 TRAILER EMPTY POCKETS. REEL OUTER DIMETER IS  $\phi$ 330mm, REEL HUB DIMETER IS  $\phi$ 100mm.
8. RECOMMENDED PCB PAD SIZE: 2.45 X 1.00 mm.

DO NOT SCALE		A3/B	
Drawn	BILLS	26-FEB-07	Material: BERYLLIUM COPPER 0.10 THICK
Checked	David	26-FEB-07	
Engineer.	BILLS	26-FEB-07	
Manufact.			Treatment:
Assembly			
Quality			Dimensions in: mm
Approvals	Sign	Date	
Iss Rev	DCN/ECN or Description	Date	Cust Spec No:

3rd ANGLE PROJECTION  
Surface Roughness  
Unless Specified

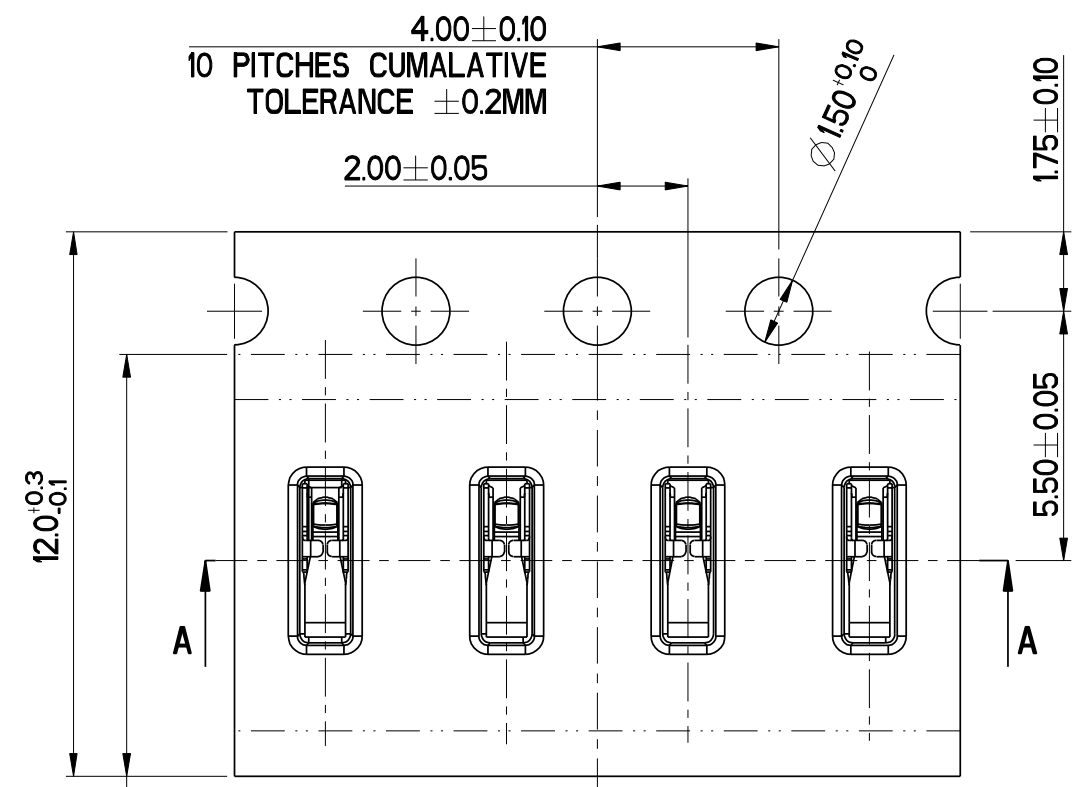
ITT Industries  
Cannon Electronics (SZ) Co. Ltd.

Toupan Industrial Area,  
Jinda Cheng, Xiner Village,  
Shajing Town, Baoan District,  
Shenzhen City  
PRC 518125

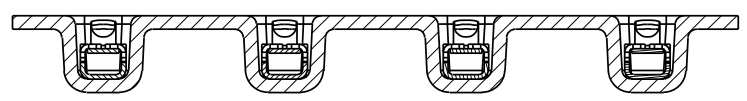
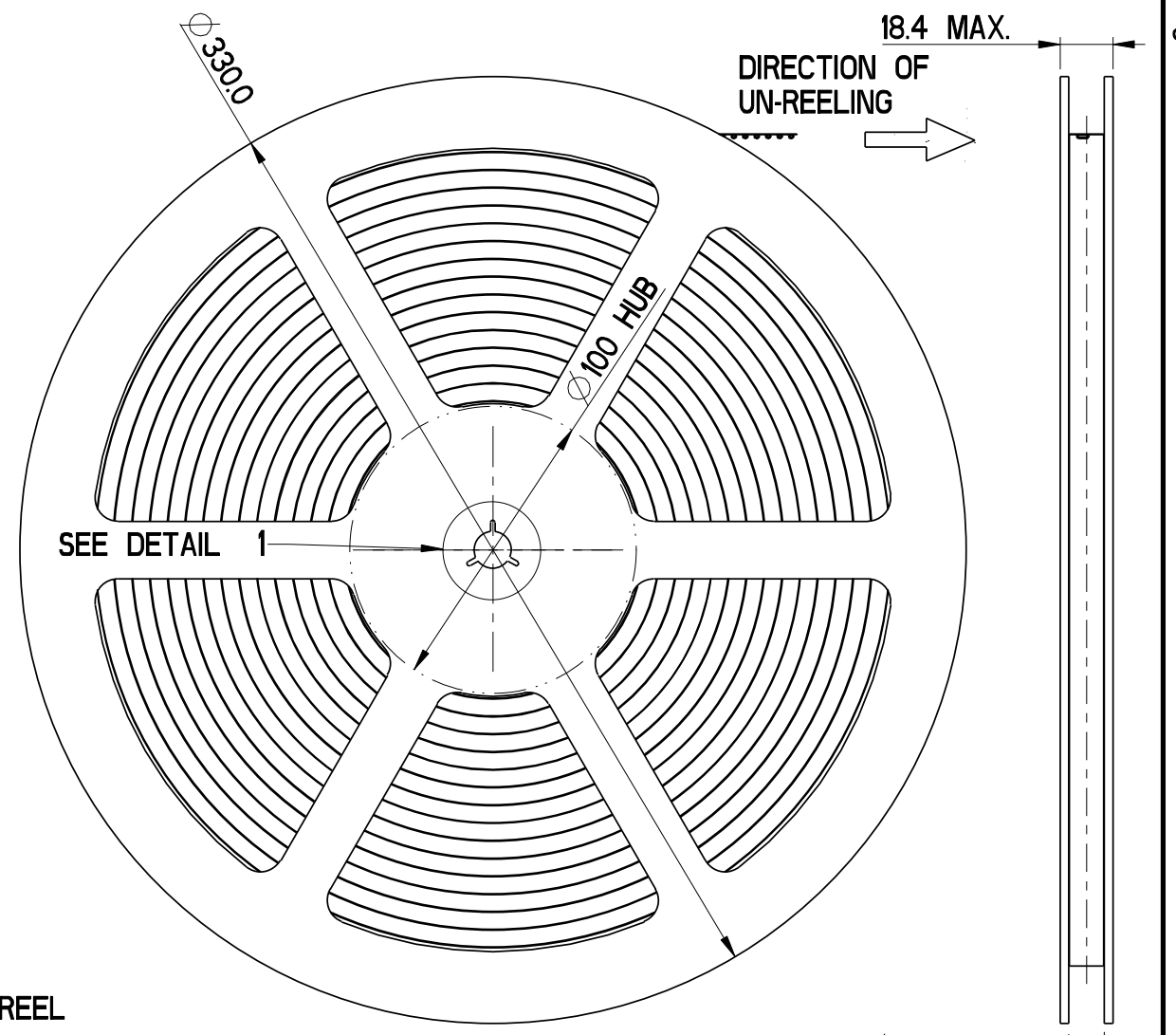
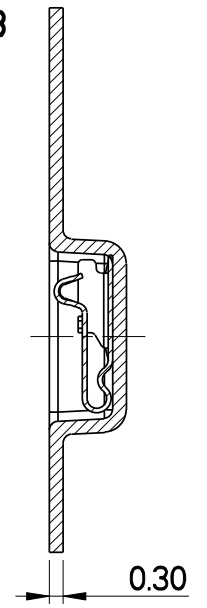
Pro/E Generic Model  
Title  
MICRO UNIVERSAL CONTACT 1.3mm

Drwg. No. CU-120220-0210  
iss/rev C

Scale 20:1 Sheet 1 of 2



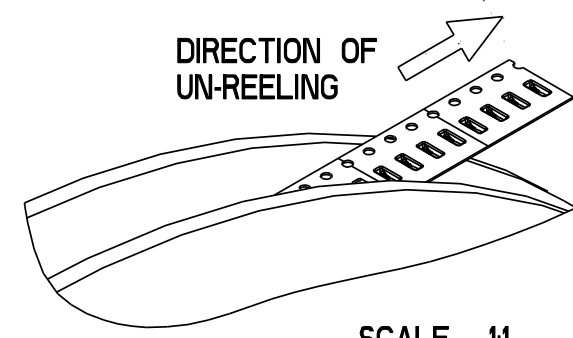
SECTION B-B



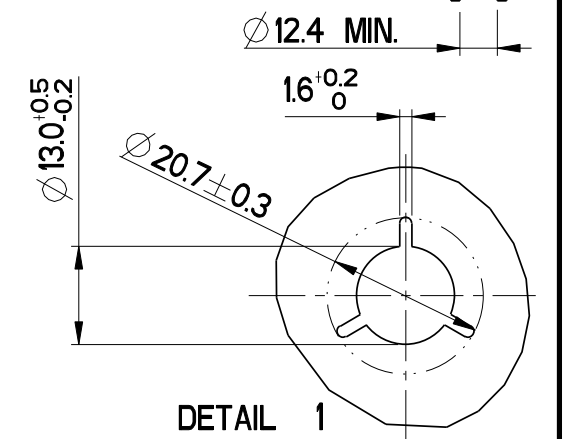
SECTION A-A

PACKAGING DETAILS

- 1) 9500 PCS TO BE PACKED PER REEL
- 2) LEADER = 400 MM
- 3) TRAILER = 400 MM
- 4) REEL MATERIAL - BLACK ANTI-STATIC POLYSTYRENE



SCALE 1:1



DETAIL 1  
SCALE 1:1

- NOTES:
- 1, UNSPECIFIED INTERNAL RADII R0.2 MM MAX.
  - 2, CARRIER TAPE MATERIAL - BLACK CONDUCTIVE POLYSTYRENE.

9.3 ANTI-STATIC COVER TAPE POLYESTER - 0.025 THICK PRESSURE SEAL

<b>DO NOT SCALE</b>				A3/B					
Drawn	BILLS	26-FEB-07	Material: BERYLLIUM COPPER 0.10 THICK	<p>3rd ANGLE PROJECTION</p>	<p>ITT Industries</p> <p>Cannon Electronics (SZ) Co. Ltd.</p>	Pro/E Generic Model			
Checked	DAVID	26-FEB-07				Title			
Engineer.	BILLS	26-FEB-07				MICRO UNIVERSAL CONTACT 1.3mm			
Manufact.									
Assembly			Treatment:	<p>Surface Roughness</p>	Toupandun Industrial Area, Jinda Cheng, Xiner Village, Shajing Town, Baoan District, Shenzhen City PRC 518125	Drwg. No.	CU-120220-0210	iss/rev	C
Quality						Unless Specified	Scale 1:1	Sheet 2 of 2	
Approvals	Sign	Date	Dimensions in: mm	Cust Spec No:					

SEE SHEET 1  
DCN/ECN or Description  
Date

This is issued in strict confidence on condition that it is not used as a basis for manufacture or sale and that it is not copied reprinted or disclosed to a third party either wholly or in part without the prior written consent of ITT Industries © 24-May-05