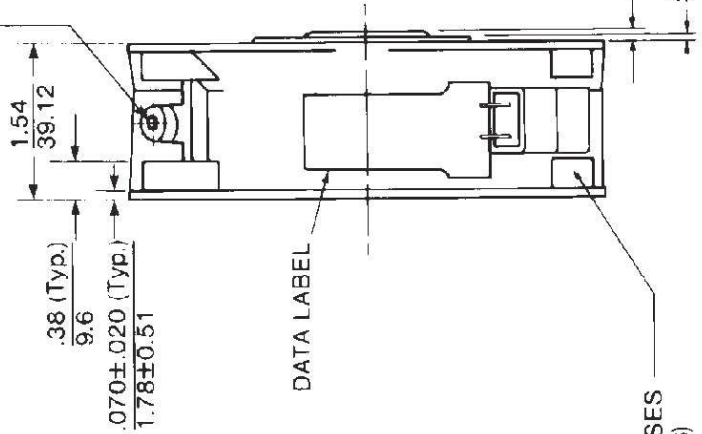


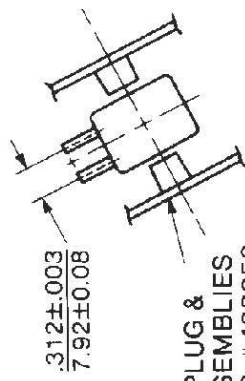
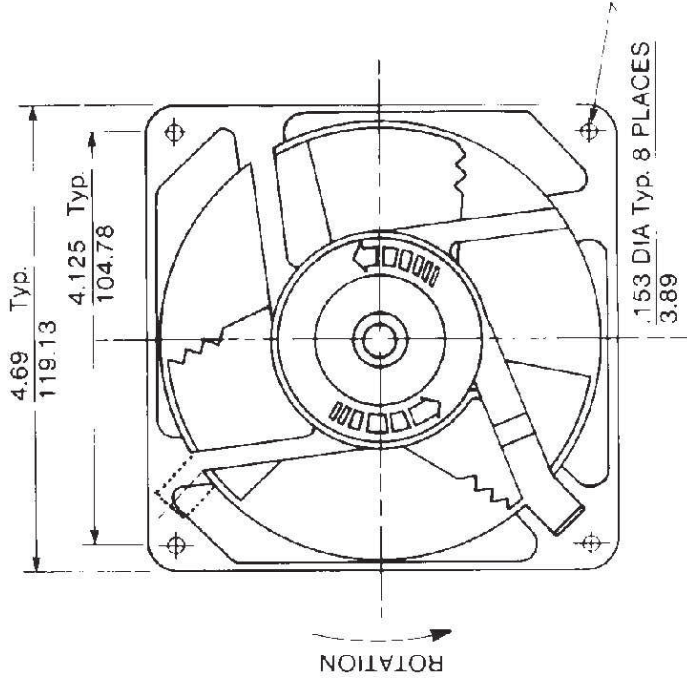
.173 DIA x .350 DEEP

4.39 8.89

2 PLACES (AS SHOWN AND 180° FAR SIDE)
USE #10-32 TYPE "F" SELF-TAPPING SCREW
FOR GROUND CONNECTION.



WILL ACCOMMODATE #550113
BLIND MOUNTING CLIPS FOR USE
WITH #6-32 MACHINE SCREW.



WILL FIT PLUG &
CORD ASSEMBLIES
#550440 & #428056
OR AMP 110 SERIES
RECEPTACLES OR
EQUIVALENT

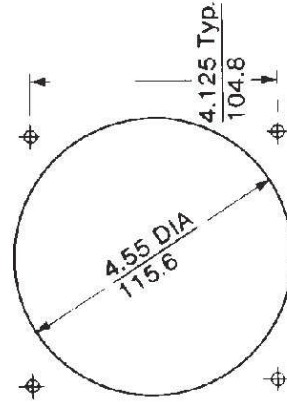
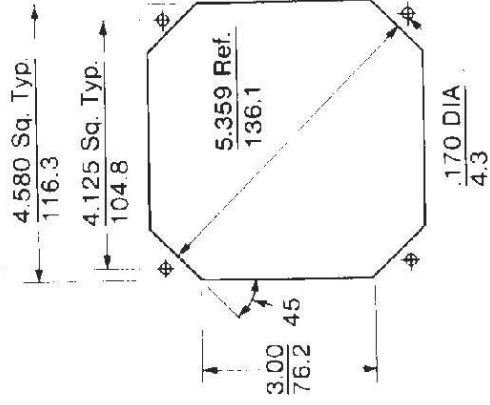
TERMINALS

.120±.002 WIDE
3.05±0.05

.020±.001 THICK
0.51±0.03

.300±.025 LONG
7.62±0.64

RECOMMENDED CUT OUT



DIMENSIONS: in ±
mm ±

TOLERANCES: .xx= .03
.08
.xxx=.010
(UNLESS NOTED) .25

Specifications subject to change without notice.