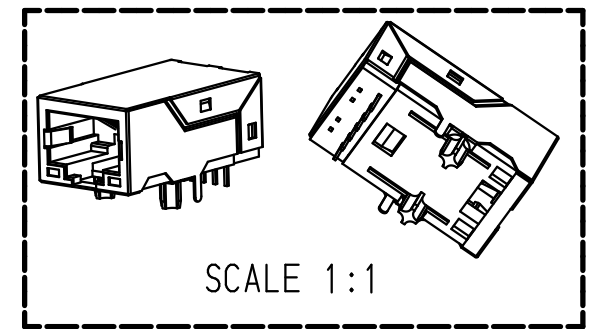
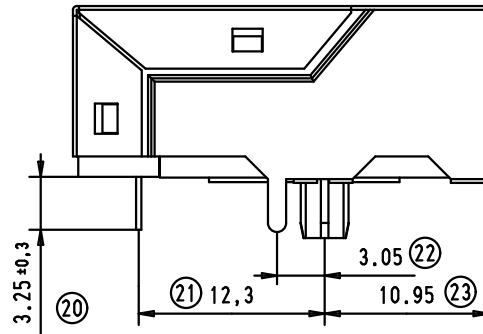
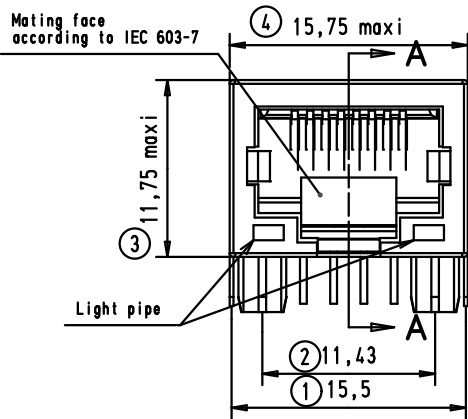


5 4 3 2 1



D

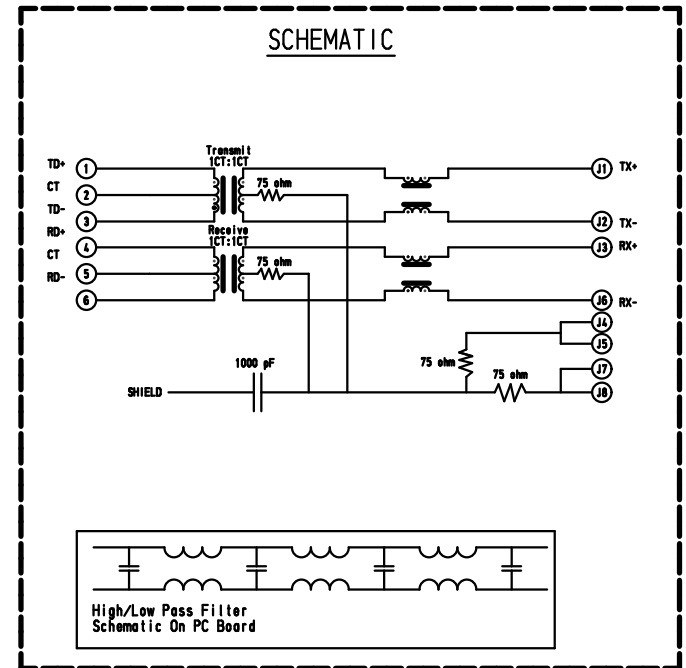
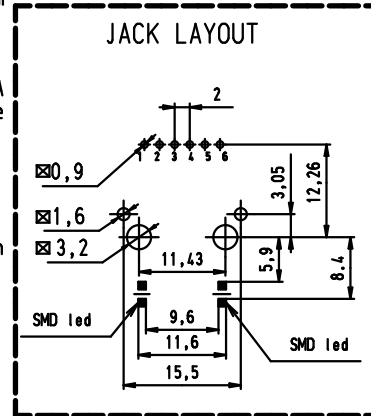
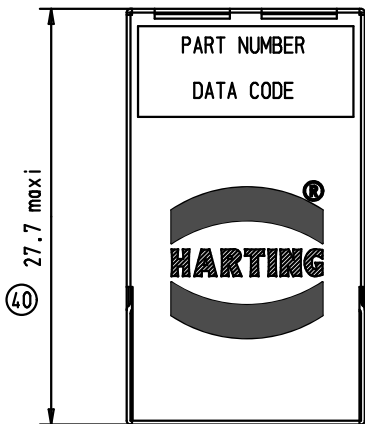
C

B

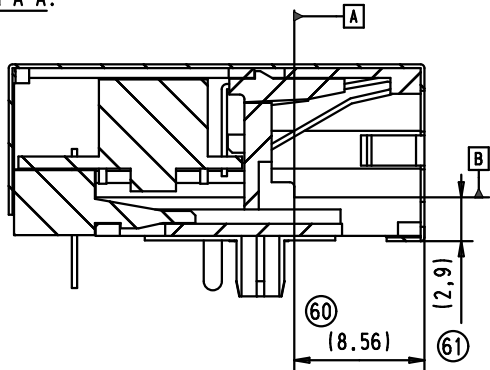
Material:
 Housing and insert material: High Temperature BK UL94V-0
 Shield material: Brass C2680 H. Plating Nickel
 Contact material: Phosphor Bronze t=0.35mm
 Plating contact: gold plating over nickel

Technical data:
 In accordance with IEEE 802.3u & TIA 1096A
 For 100 base transmission over UTP-5 cable
 Storage: -40°C to 85°C
 Operation: -25°C to 70°C
 Operating lifetime: 750 cycles min

Packaging:
 56 pieces per tray and 13 trays per carton



SECTION A-A:



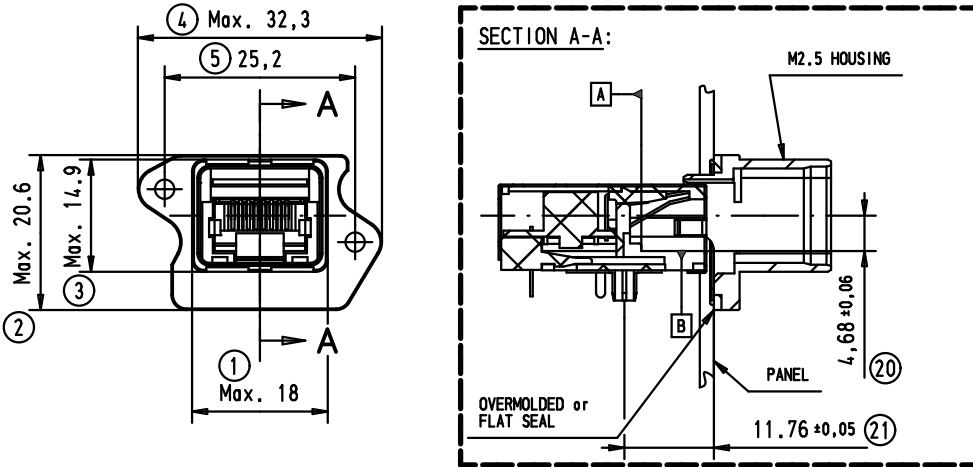
A

All Dimensions in mm Original Size DIN A 4			Techn. Character.			Nicht tolerierte Maßel/Free size tolerances			
			Dat.	Name	Maßstab/Scale 2:1	HARTING RJ Industrial® RJ45 jack with transformer for 10/100 Mbit			
			Detail.	24/06/11					AB
			Insp.	24/06/11					JMV
36317	16/01/12	AB	Stand.			TB 09 45 551 1130			
EC04225	03/01/12	AB	HARTING EURL F-95972 Paris						
EC03526	11/07/11	AB							
Mod.	Dat.	Name				Sub.			

MOUNTING INSTRUCTIONS FOR HARTING PUSHPULL
COMPACT RECEPTACLE HOUSING

PN: 09 45 545 0023

PN: 09 45 545 0033

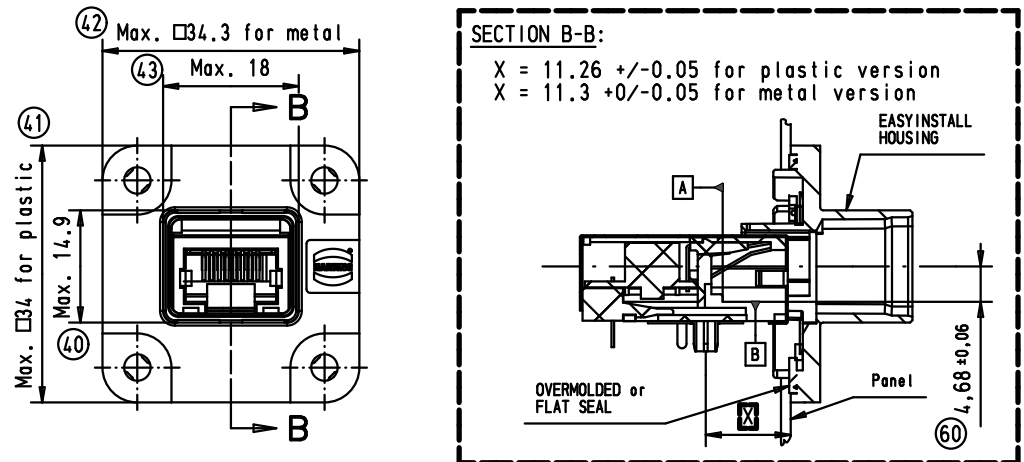


Receptacle mating side according to
IEC 61076-3-106 variant 4

MOUNTING INSTRUCTIONS FOR HARTING PUSHPULL
EASYINSTALL RECEPTACLE HOUSINGS

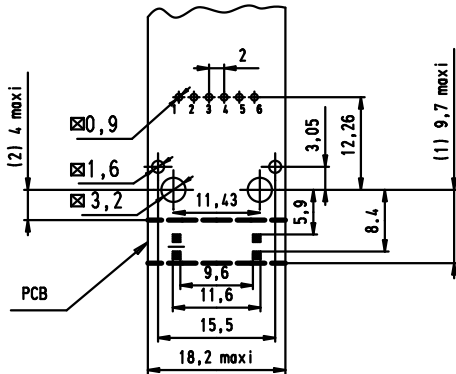
PN: 09 45 545 0030

PN: 09 45 595 0030



Receptacle mating side according to
IEC 61076-3-106 variant 4

PCB LAYOUT



PCB thickness: 1.6mm +/- 0.1

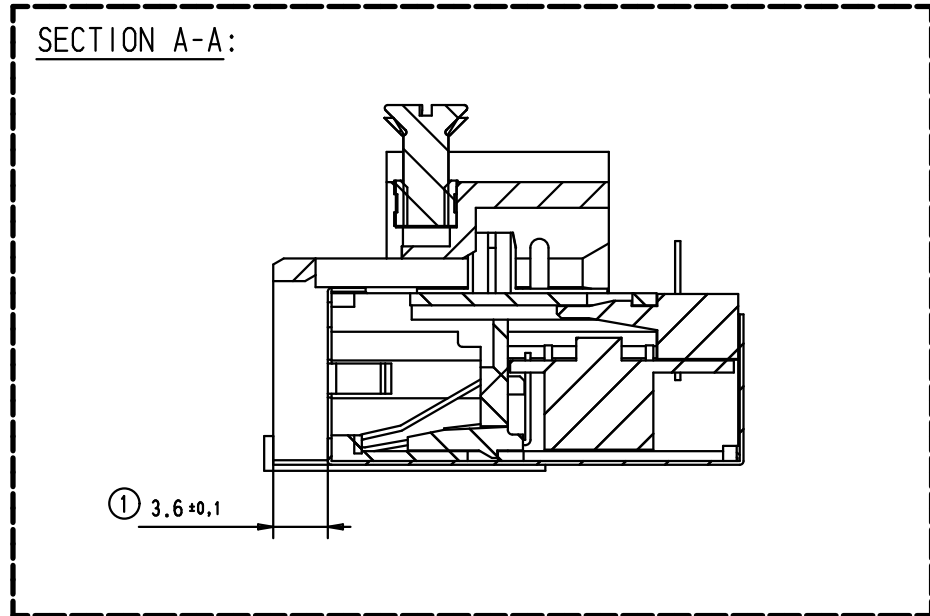
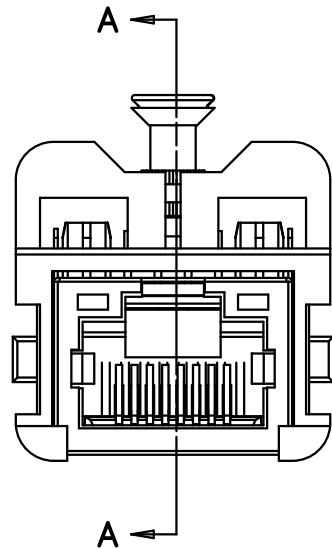
(1) maxi PCB front side position if SMD LED used
if LED used, maxi panel thickness for Pushpull compact
receptacle housing, is 1.5mm

(2) maxi PCB front side position if SMD led NOT used

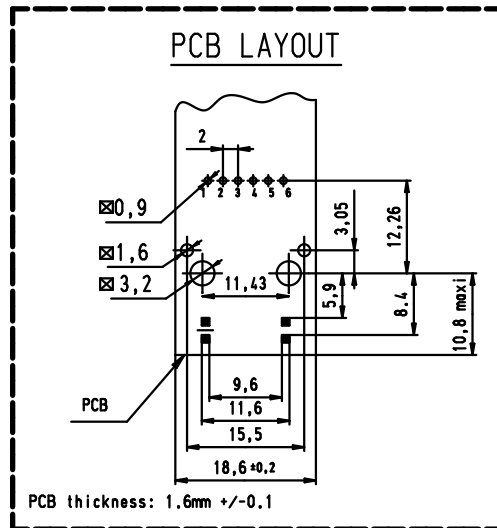
All Dimensions in mm Original Size DIN A 4		Techn. Character.			Nicht tolerierte Maßel/Free size tolerances	
		Dat.	Name	Maßstab/Scale	HARTING RJ Industrial® RJ45 jack with transformer for 10/100 Mbit	
		Detail.	AB			
		Insp.	JMV			
36317	16/01/12	AB	Stand.	1:1	TB 09 45 551 1130 Sub.	
EC04225	03/01/12	AB				
EC03526	11/07/11	AB				
Mod.	Dat.	Name	HARTING EURL F-95972 Paris		Blatt/ page 2 / 4	

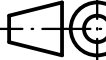



MOUNTING INSTRUCTION FOR HAN 3A RJ45 HOUSING WITH HAN 3A ADAPTER WITHOUT FIXING CLIPS 09 45 515 0022



Receptacle mating side according to
IEC 61076-3-106 variant 5



 All Dimensions in mm Original Size DIN A 4			Techn. Character.			Nicht tolerierte Maße/Free size tolerances		
			Dat.	Name	Maßstab/Scale 2:1	HARTING RJ Industrial® RJ45 jack with transformer for 10/100 Mbit		
			Detail.	24/06/11				AB
			Insp.	24/06/11				JMV
36317	16/01/12	AB	Stand.			TB 09 45 551 1130		
EC04225	03/01/12	AB	HARTING EURL					
EC03526	11/07/11	AB	F-95972 Paris					
Mod.	Dat.	Name				Sub.		

5

4

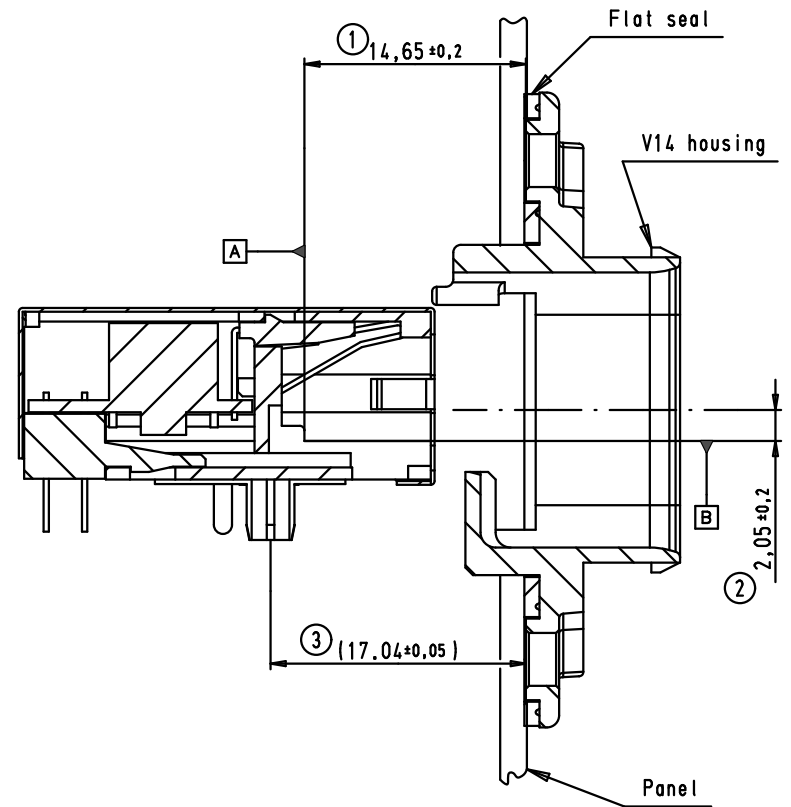
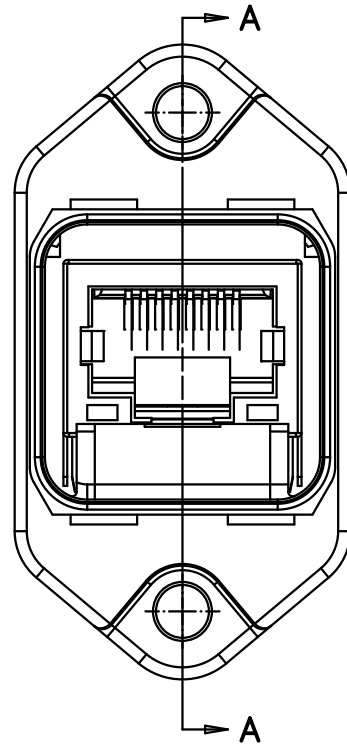
3

2

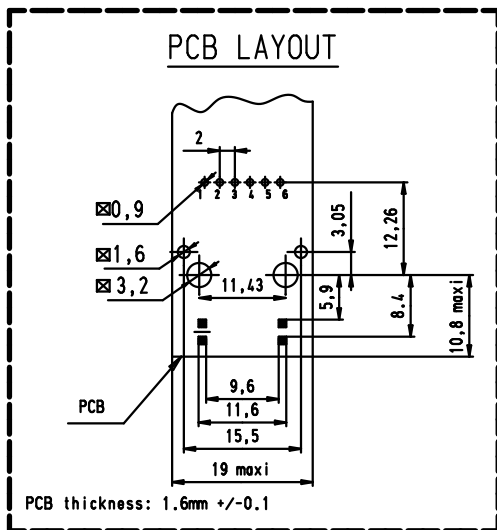
1

MOUNTING INSTRUCTION FOR HAN PUSH-PULL RJ45 HOUSING 09 35 002 0301

Receptacle mating side according to
DIN EN 61076-3-117



PCB LAYOUT



All Dimensions in mm Original Size DIN A 4			Techn. Character.			Nicht tolerierte Maßel/Free size tolerances		
			Dat.	Name	Maßstab/Scale 2:1	HARTING RJ Industrial® RJ45 jack with transformer for 10/100 Mbit		
			Detail.	24/06/11				AB
			Insp.	24/06/11				JMV
			Stand.					
36317	16/01/12	AB	HARTING EURL F-95972 Paris				TB 09 45 551 1130 Sub.	
EC04225	03/01/12	AB						
EC03526	11/07/11	AB						
Mod.	Dat.	Name					Blatt/ page 4 / 4	