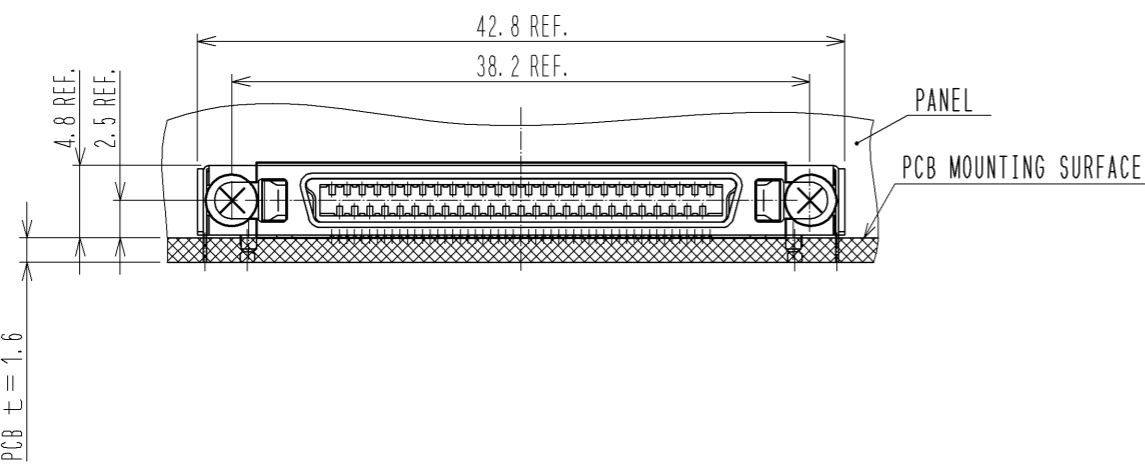
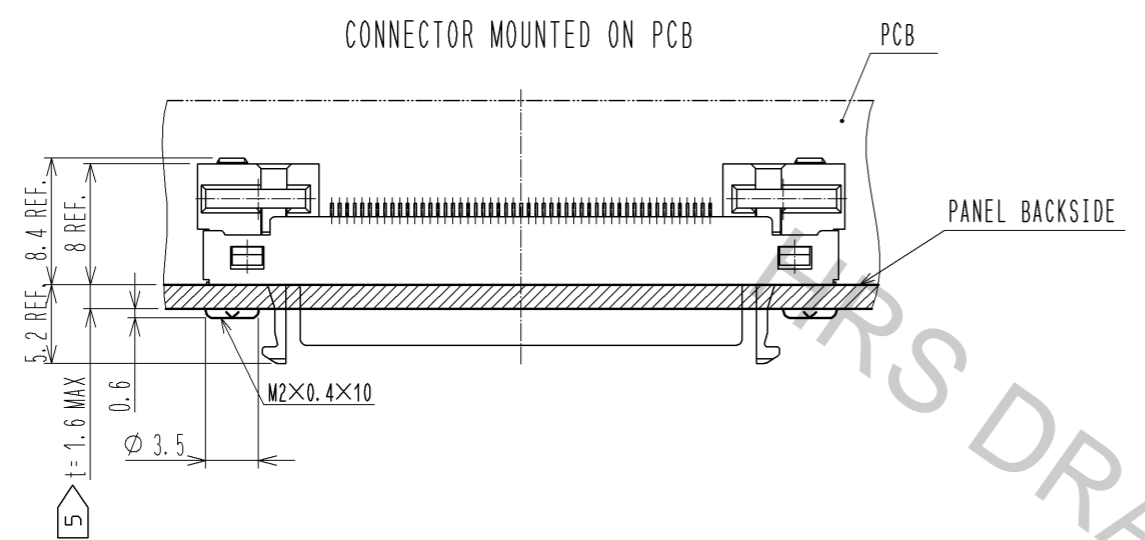
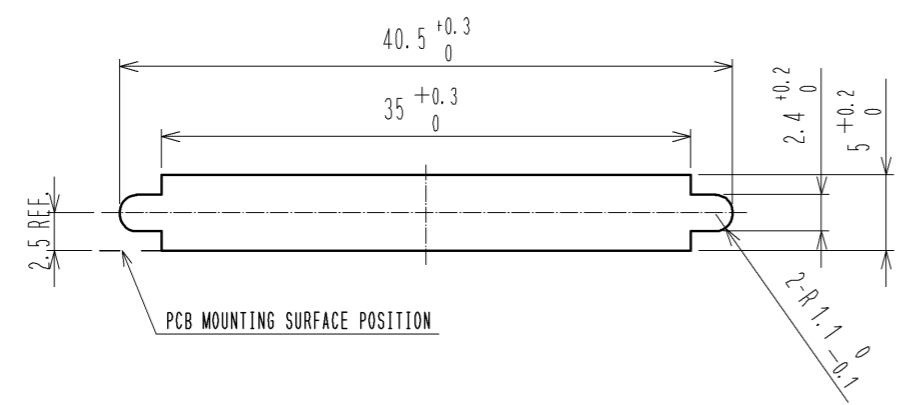


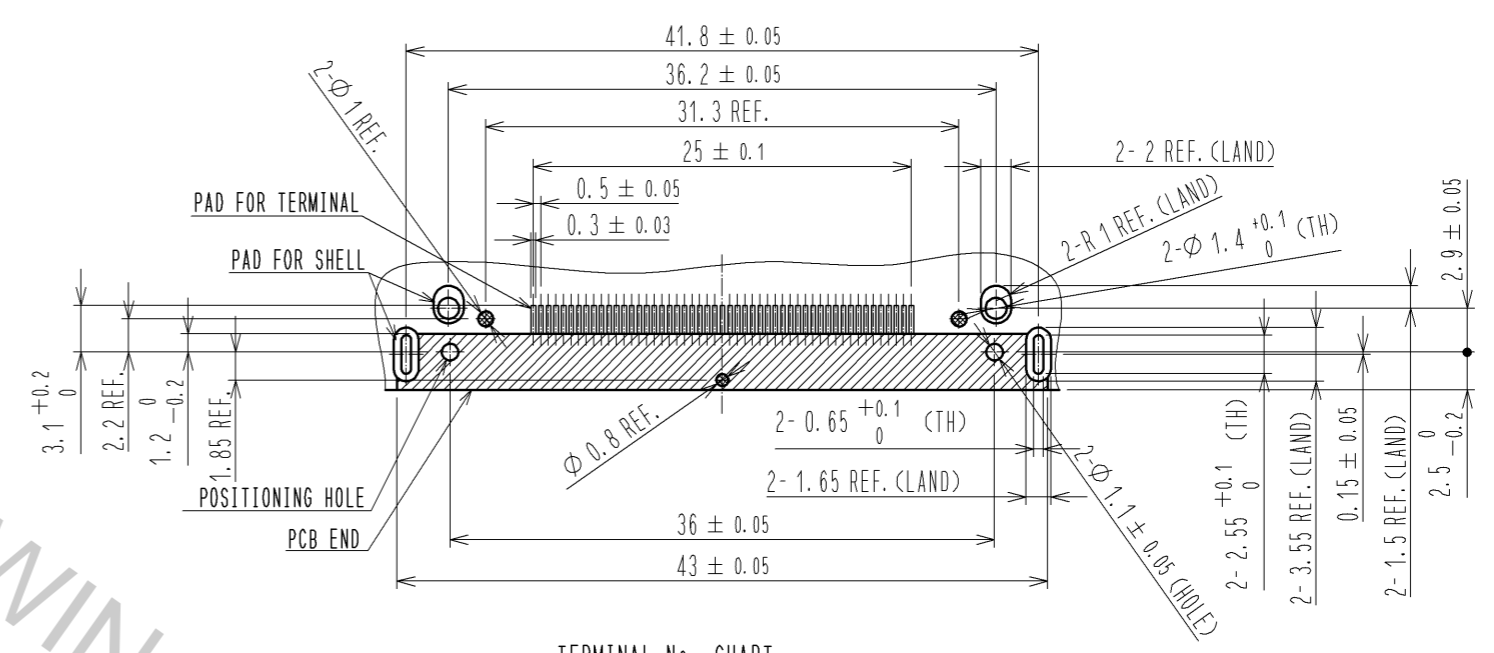
UNITS	SCALE	COUNT	DESCRIPTION OF REVISIONS	DESIGNED	CHECKED	DATE
mm	4 : 1	1	DIS-E-003061	TM. ONO	KN. ICHIKAWA	09.12.14
APPROVED : AO. SUZUKI			09.04.28	DRAWING NO. EDC3-126869-00		
CHECKED : KN. ICHIKAWA			09.04.28	PART NO. DH60A-51P		
DESIGNED : MO. SHIMOYAMA			09.04.28	CODE NO. CL244-0043-4-00		
DRAWN : MO. SHIMOYAMA			09.04.28	1/3		



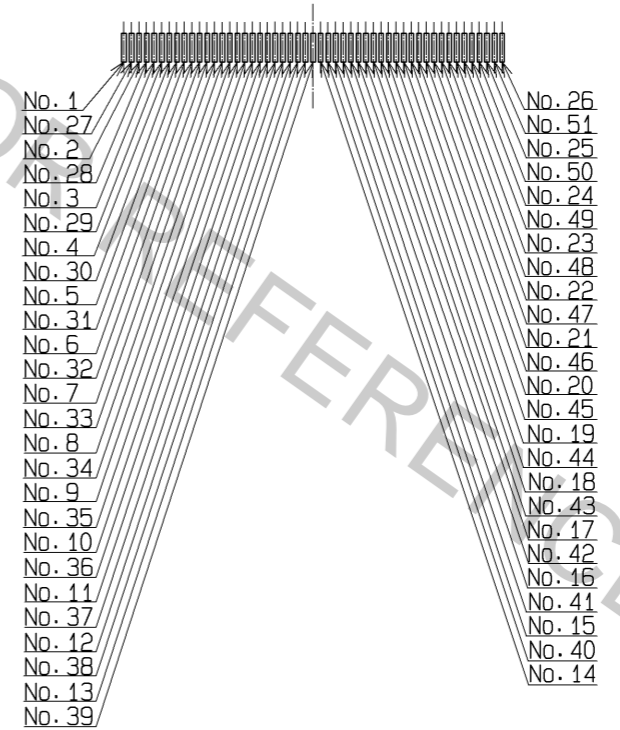
PANEL CUTOUT FOR REFERENCE
(THE DIMENSION IS SPECIFIED BASED ON THE CENTER OF THE CONNECTOR INTERFACE)



PCB LAYOUT FOR REFERENCE (MOUNTING SURFACE SIDE)



TERMINAL No. CHART

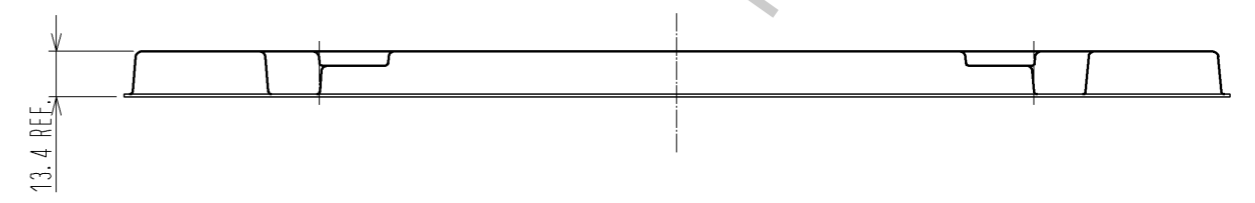
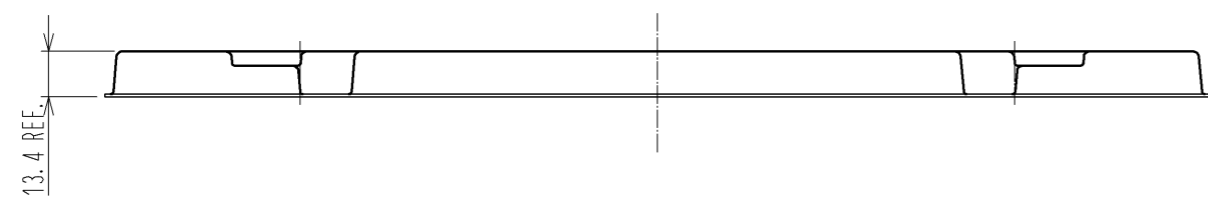
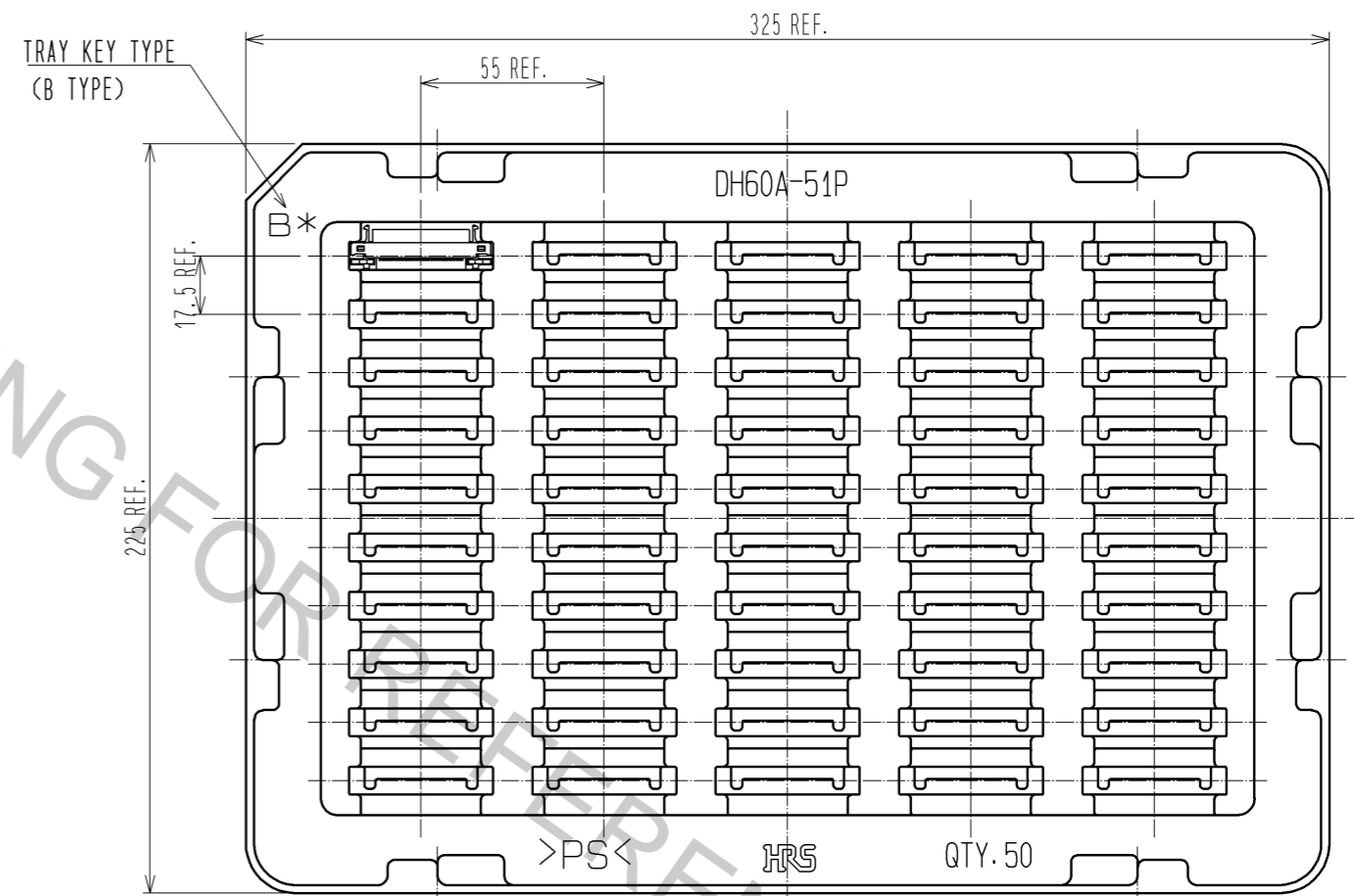
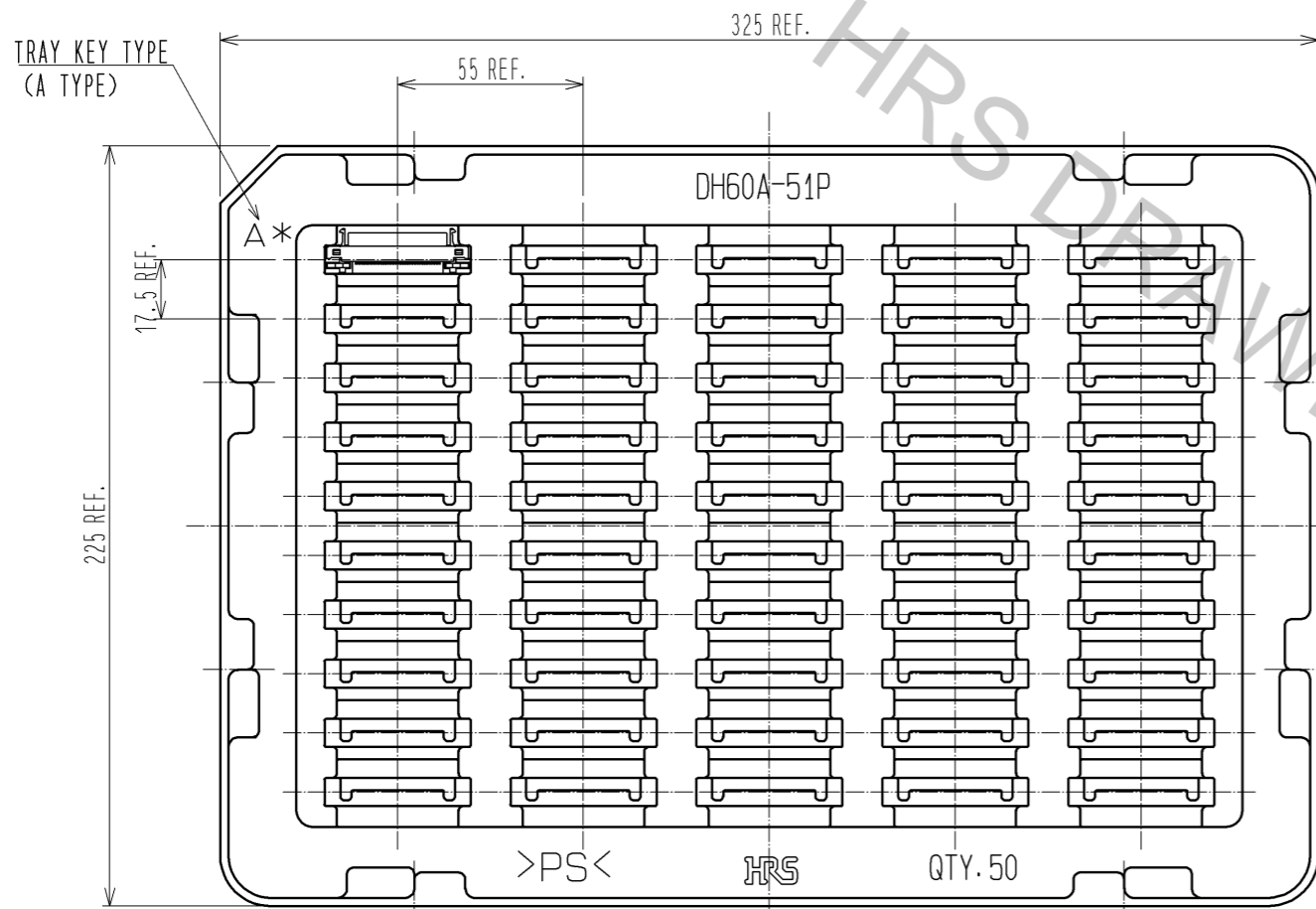


▨ : PATTERN PROHIBITION AREA
▩ : REFERENCE PLANE POSITION

NOTE 5 PANEL THICKNESS IS 1.6mm MAX.

HRS	DRAWING NO.	EDC3-126869-00
	PART NO.	DH60A-51P
	CODE NO.	CL244-0043-4-00
		2/3

DRAWING FOR PACKING(FREE)



※TRAYS. A TYPE AND B TYPE. ARE PILED UP ALTERNATELY.

HRS	DRAWING NO.	EDC3-126869-00		3/3
	PART NO.	DH60A-51P		
	CODE NO.	CL244-0043-4-00		