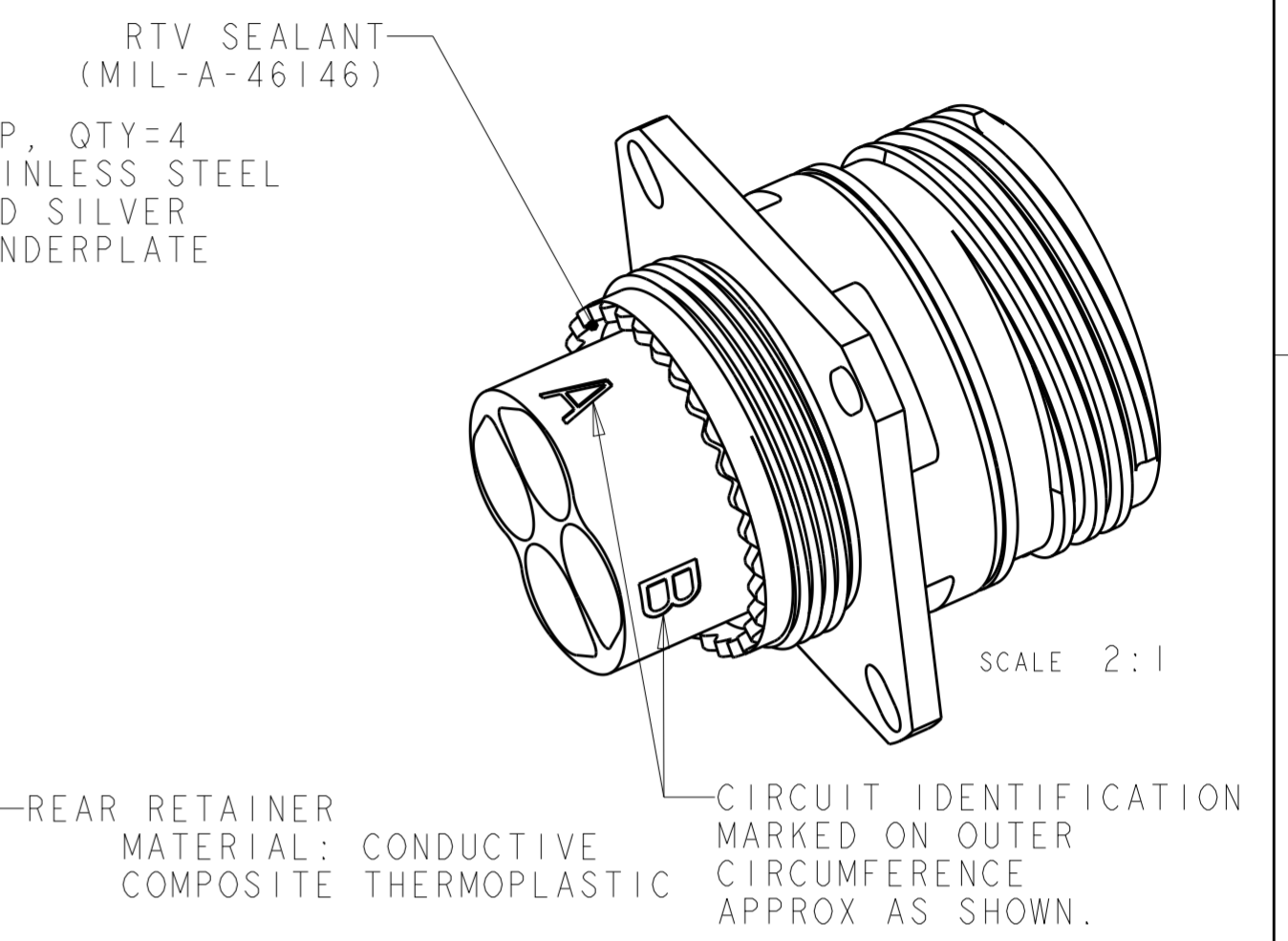
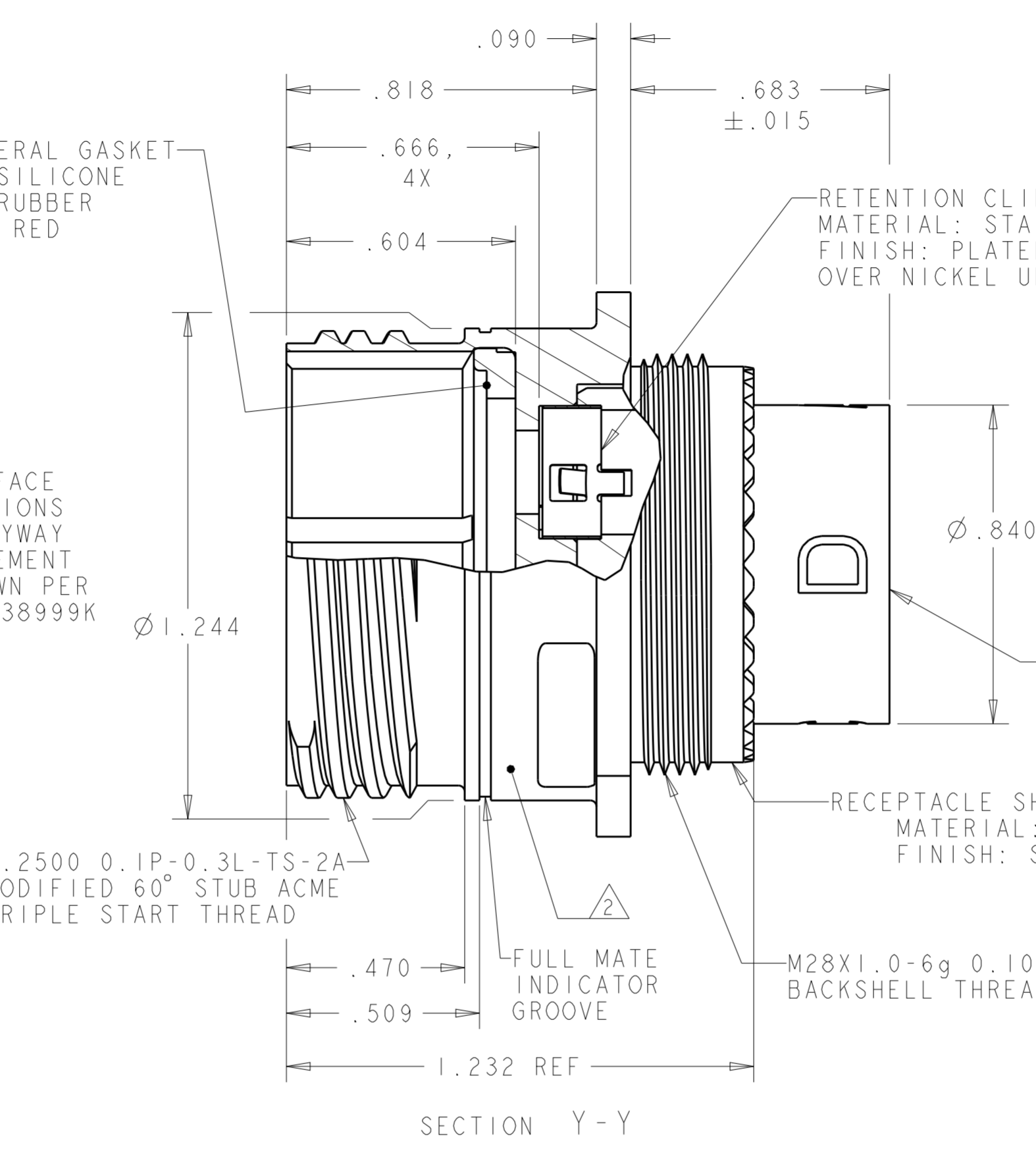
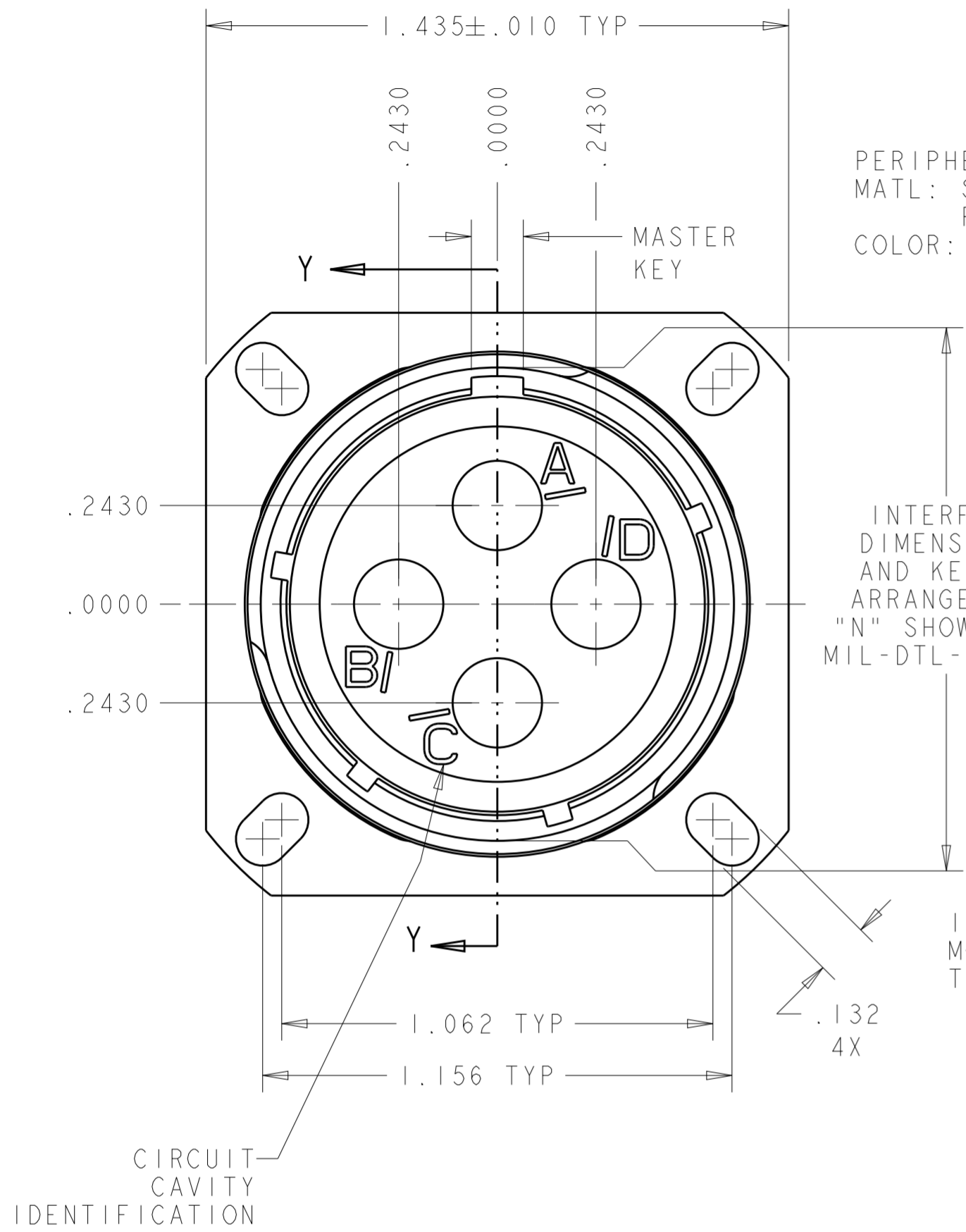


THIS DRAWING IS UNPUBLISHED. RELEASED FOR PUBLICATION 20
 © COPYRIGHT 20 BY - ALL RIGHTS RESERVED.

REVISIONS				
P	LTR	DESCRIPTION	DATE	APVD
F		REV PER ECO 16-013700	9-21-16	CT DM



- THIS CONNECTOR ACCEPTS TE CONNECTIVITY QUADRAX PIN ASSEMBLY; PART NUMBER 1445692-3 or 1877039-2.
- PART IS MARKED WITH TE CONNECTIVITY PART NO. (SEE TABLE), TE CONNECTIVITY LOGO OR TE, TE CAGE CODE, AND DATE CODE.
- OPERATING TEMPERATURE RANGE: -65°C TO +125°C (-85°F TO +257°F).
- QUADRAX PIN ASSEMBLY, 1445692-3 SHOWN FOR REF ONLY
 -1, -2, -3, -10, -11, -12, -13, 14, & 15: CONTACT PROVIDED UN-ASSEMBLED
 -7, -8, & -9 : CONTACT SOLD SEPARATELY
- THE CONNECTOR QUALIFICATION WAS COMPLETED PER TEC 108-2199. THE QUADRAX CONTACTS ARE QUALIFIED PER TEC 108-2131. THE REFERENCE TEST REPORTS ARE TEC 501-660 FOR THE CONNECTOR AND 501-574 FOR THE CONTACTS WHICH ARE SAME AS ARINC 600-13, DRAFT 2 OF SUPPLEMENT 14 (AIR TRANSPORT AVIONICS EQUIPMENT INTERFACES).

OLIVE DRAB	-	B	1-1811901-8
OLIVE DRAB	-	A	1-1811901-7
OLIVE DRAB	-	N	1-1811901-6
NICKEL	1877039-2	B	1-1811901-5
NICKEL	1877039-2	A	1-1811901-4
NICKEL	1877039-2	N	1-1811901-3
OLIVE DRAB	1445692-3	B	1-1811901-2
OLIVE DRAB	1445692-3	A	1-1811901-1
OLIVE DRAB	1445692-3	N	1-1811901-0
NICKEL	-	B	1811901-9
NICKEL	-	A	1811901-8
NICKEL	-	N	1811901-7
NICKEL	1445692-3	B	1811901-3
NICKEL	1445692-3	A	1811901-2
NICKEL	1445692-3	N	1811901-1
SHELL FINISH	QUADRAX CONTACT QTY=4	SHELL KEYING ARRANGEMENT	PART NUMBER

THIS DRAWING IS A CONTROLLED DOCUMENT. DWN R FLAIG 02AUG2005
 CHK L OH 02AUG2005
 APVD L OH 02AUG2005

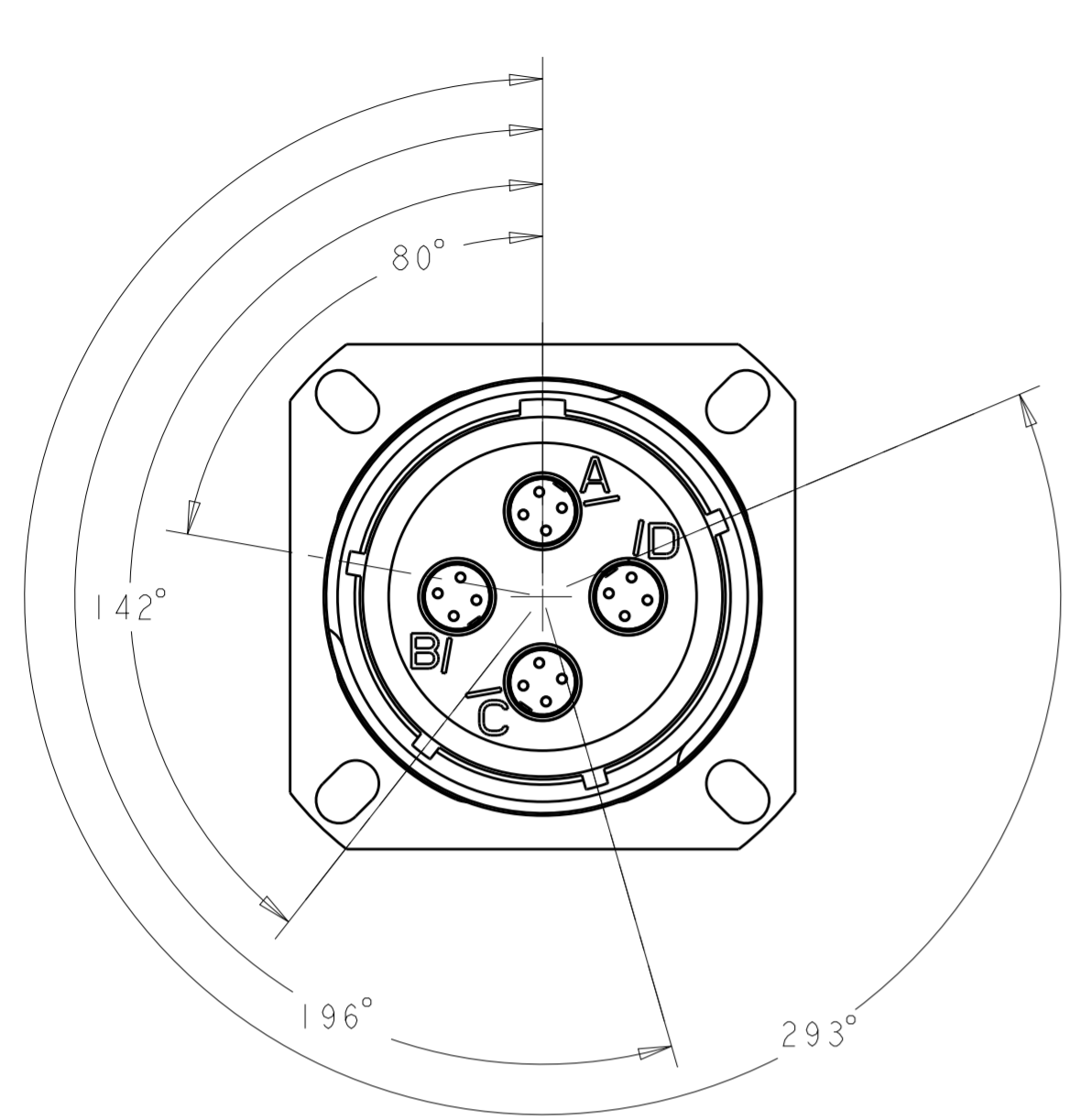
STC TE Connectivity

ASSY, RECEPTACLE, SIZE 19, 404, M38999 STYLE

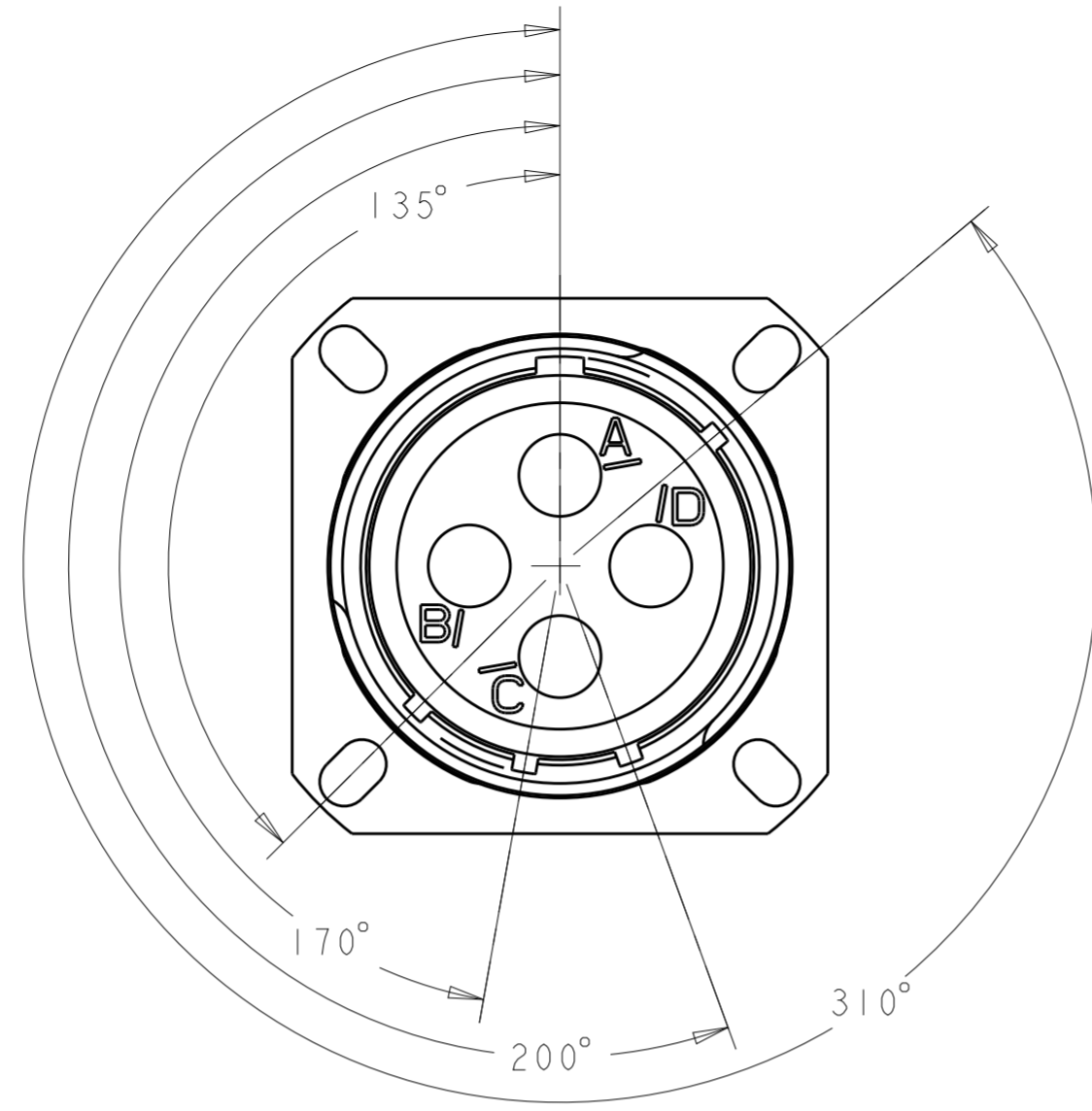
SIZE A2 CAGE CODE - DRAWING NO C-1811901 RESTRICTED TO -
 CUSTOMER DRAWING SCALE 3:1 SHEET 1 OF 2 REV F

THIS DRAWING IS UNPUBLISHED. RELEASED FOR PUBLICATION 20
 © COPYRIGHT 20 BY - ALL RIGHTS RESERVED.

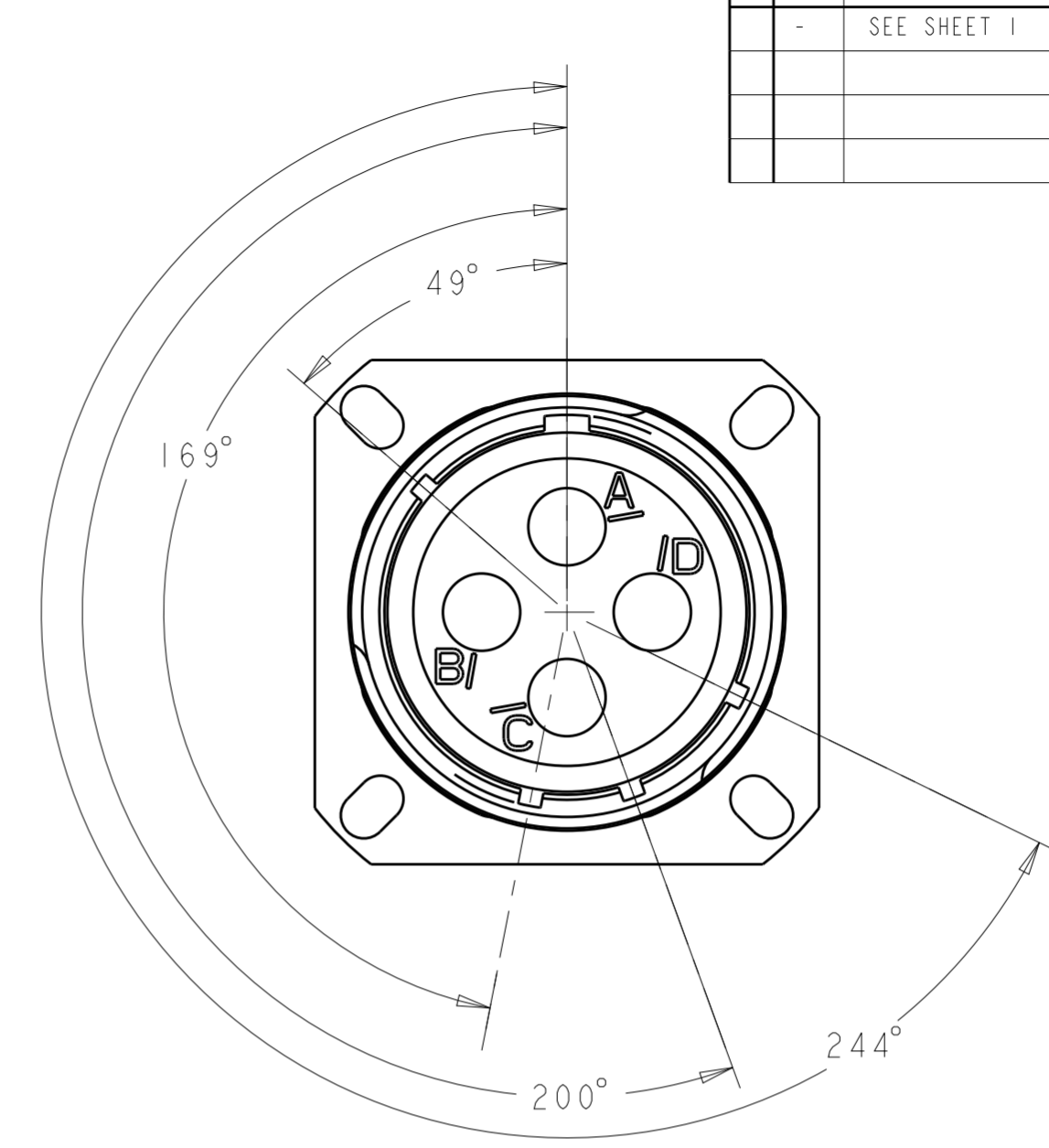
REVISIONS				
P	LTR	DESCRIPTION	DATE	APVD
-		SEE SHEET 1	-	-



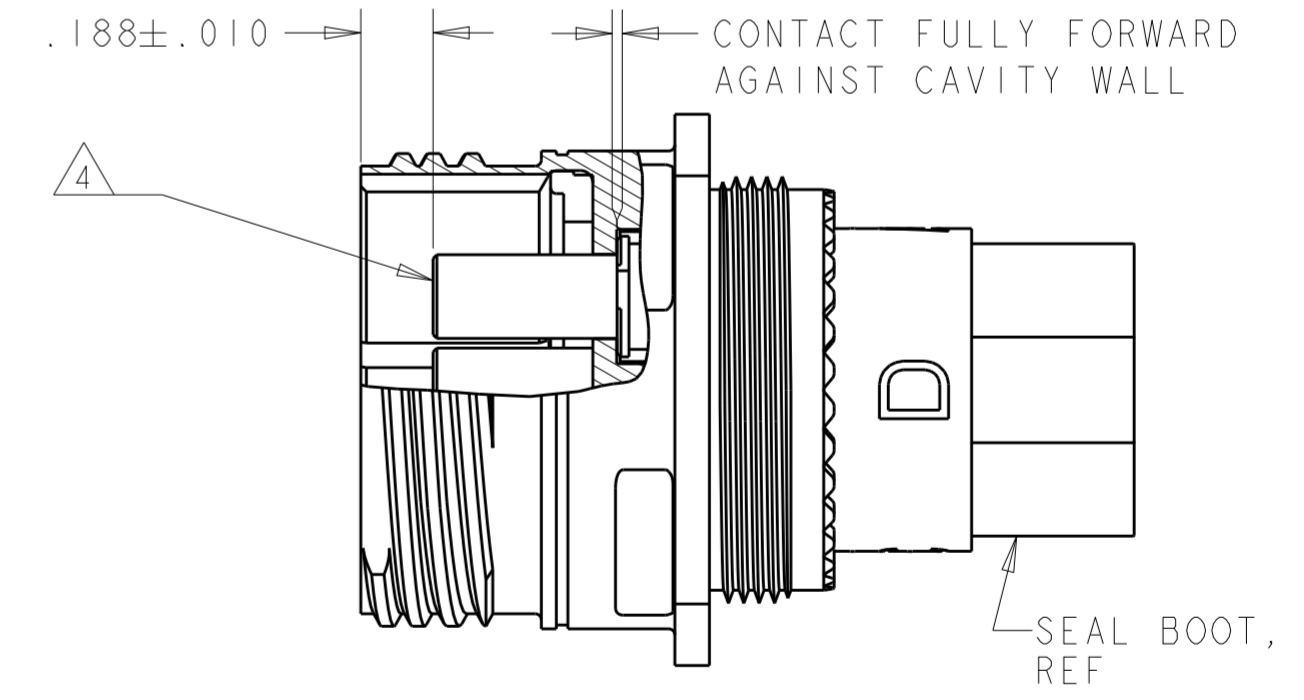
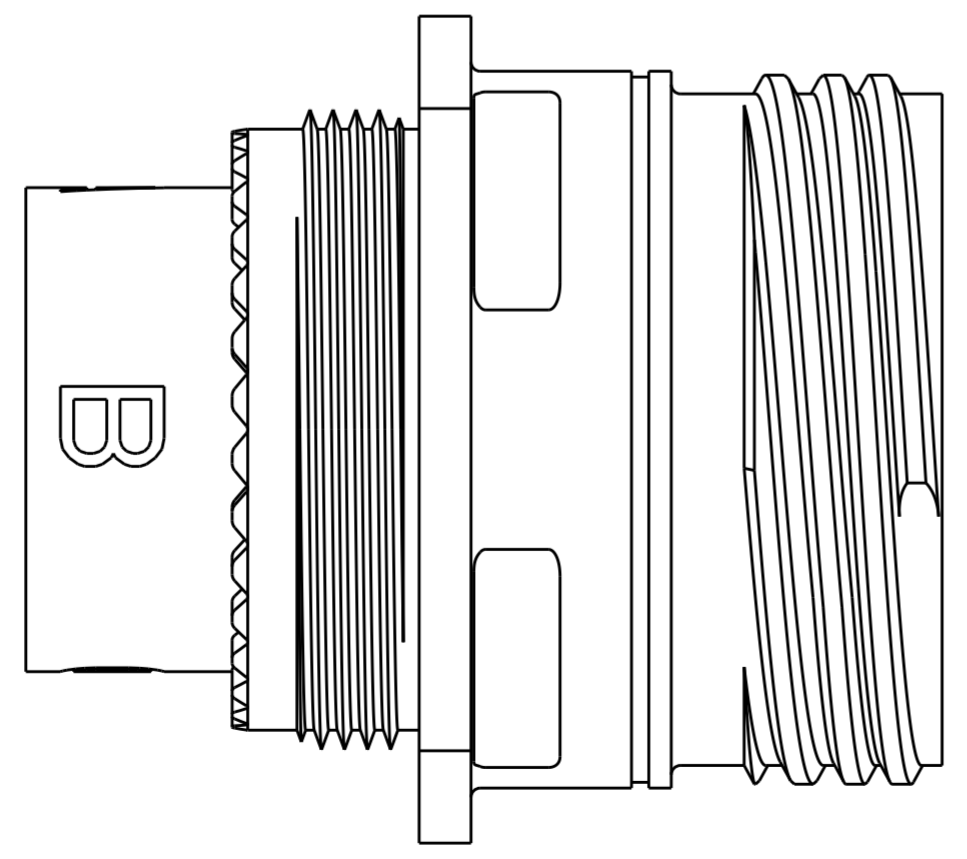
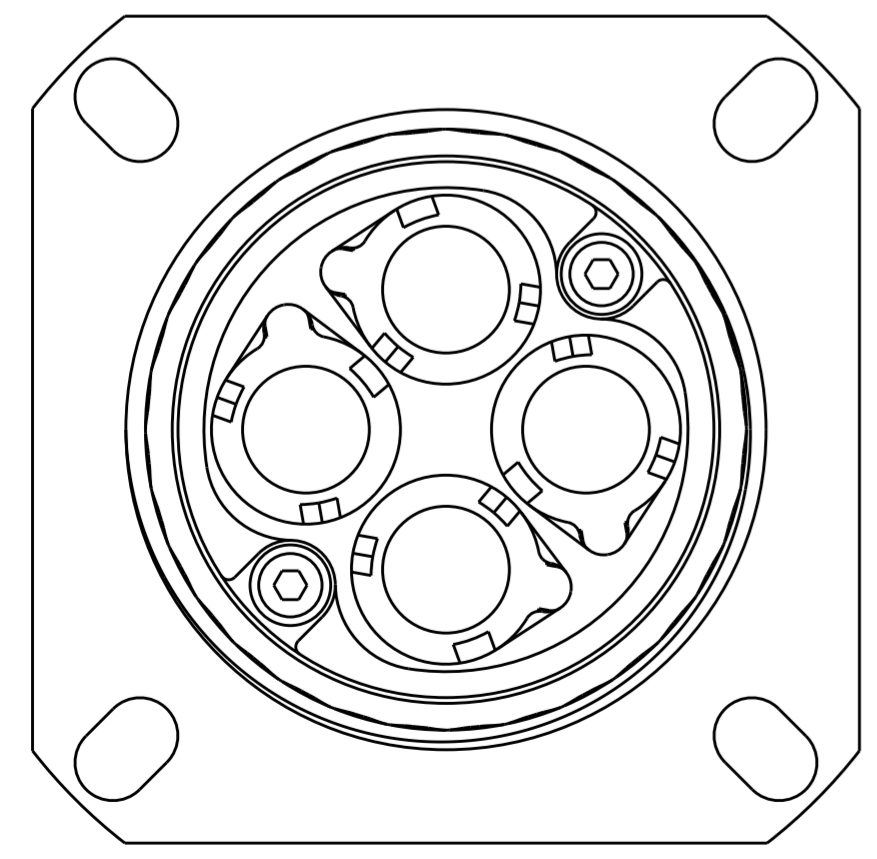
1811901-1
"N" POLARIZATION



1811901-2
"A" KEY POLARIZATION



1811901-3
"B" KEY POLARIZATION



SECTION Y-Y
SCALE 2:1

THIS DRAWING IS A CONTROLLED DOCUMENT.		DWN R FLAIG	02AUG2005	TE Connectivity			
DIMENSIONS: INCHES		CHK L OH	02AUG2005			NAME ASSY, RECEPTACLE, SIZE 19, 404, M38999 STYLE	
TOLERANCES UNLESS OTHERWISE SPECIFIED:		APVD L OH	02AUG2005			SIZE A2	
0 PLC ±.1 1 PLC ±.01 2 PLC ±.01 3 PLC ±.005 4 PLC ±.0020 ANGLES ±1° FINISH		PRODUCT SPEC APPLICATION SPEC				CAGE CODE DRAWING NO G-1811901	
MATERIAL		WEIGHT		RESTRICTED TO			
-		-		-			
CUSTOMER DRAWING				SCALE 3:1	SHEET 2 OF 2		
				REV F			