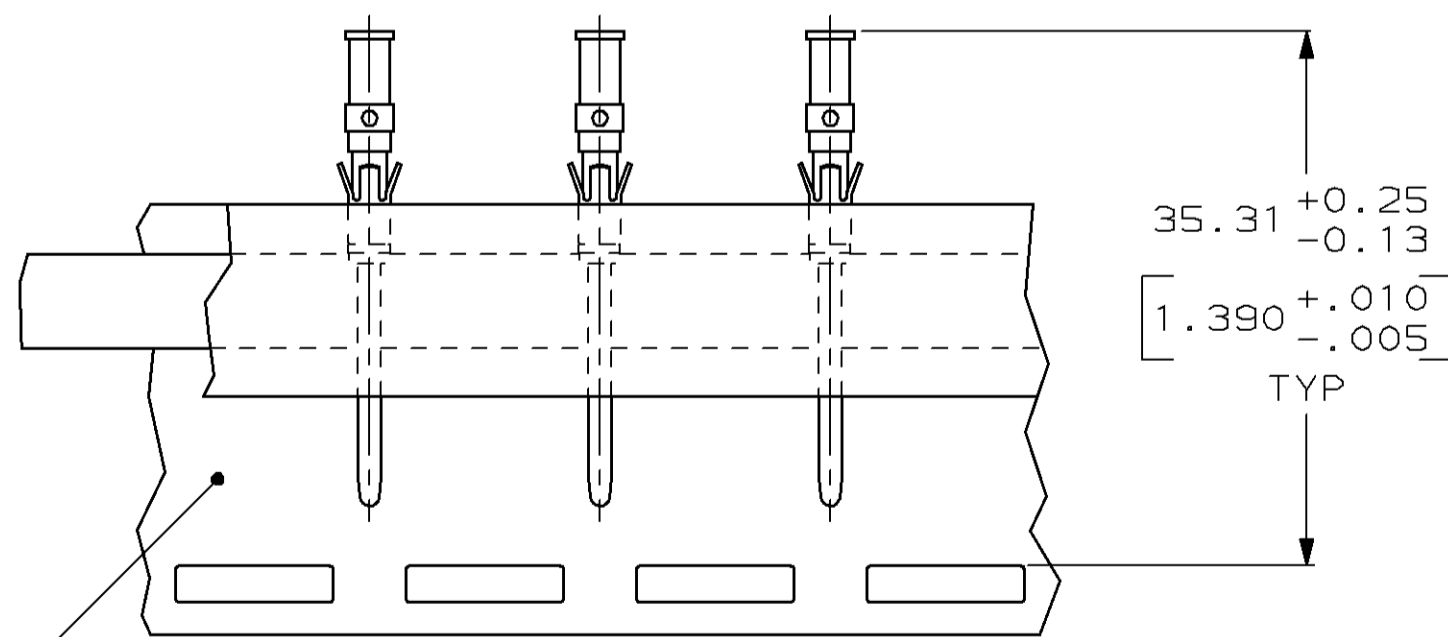
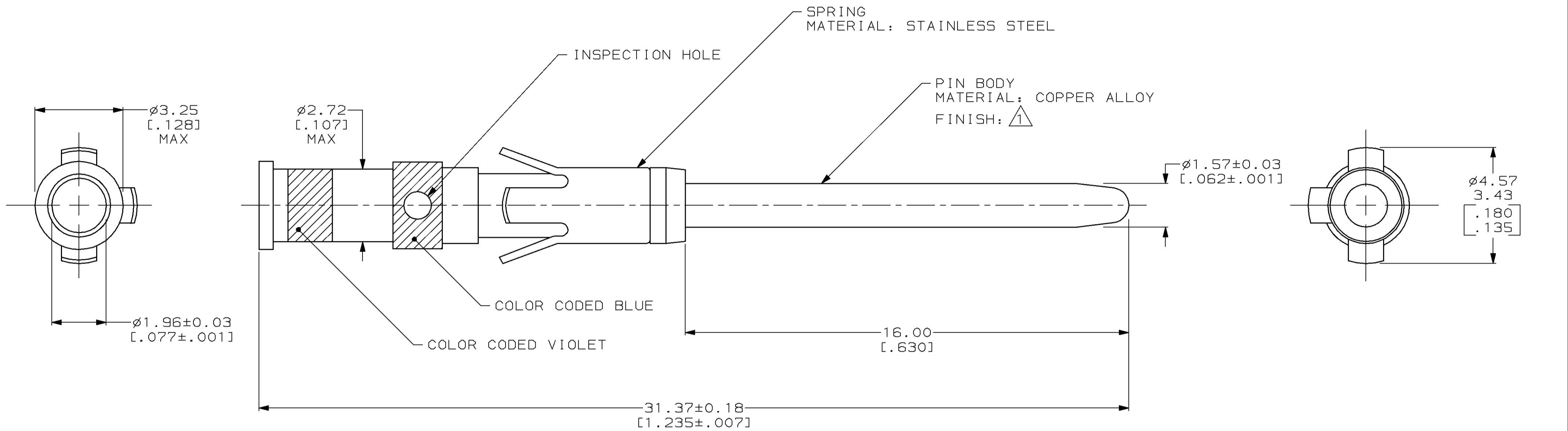


THIS DRAWING IS UNPUBLISHED. RELEASED FOR PUBLICATION  
 BY AMP INCORPORATED. ALL RIGHTS RESERVED.

REVISIONS				DATE	DWN	APVD
P	LTR	DESCRIPTION				
D		REDRAWN W/O CHANGE PER EC 0320-109-96	26 NOV 97	-	-	-



MYLAR TAPE

TAPE MTG DETAIL  
SCALE 2:1

1 0.76µm [.000030] MIN GOLD OVER 1.27µm [.000050] MIN NICKEL.

TAPE MTD	212618-2
STANDARD	212618-1
PACKAGING TYPE	PART NUMBER

THIS DRAWING IS A CONTROLLED DOCUMENT.		DWN B. CARBO 26 NOV 97	AMP Incorporated Harrisburg, PA 17105-3608	
DIMENSIONS: mm [INCHES]		CHK R. STONE 10 DEC 97	NAME G. STEINHAUER	
TOLERANCES UNLESS OTHERWISE SPECIFIED:		APVD G. STEINHAUER 06 JAN 98	PRODUCT SPEC	
0 PLC ±-		APPLICATION SPEC		
1 PLC ±-		WEIGHT		
2 PLC ±0.13 [.005]		SCALE 10:1 SHEET 1 OF 1 REV D		
3 PLC ±-		CUSTOMER DRAWING		
4 PLC ±-		RESTRICTED TO		
ANGLES ±-		FINISH		
SEE CALLOUTS		SEE CALLOUTS		