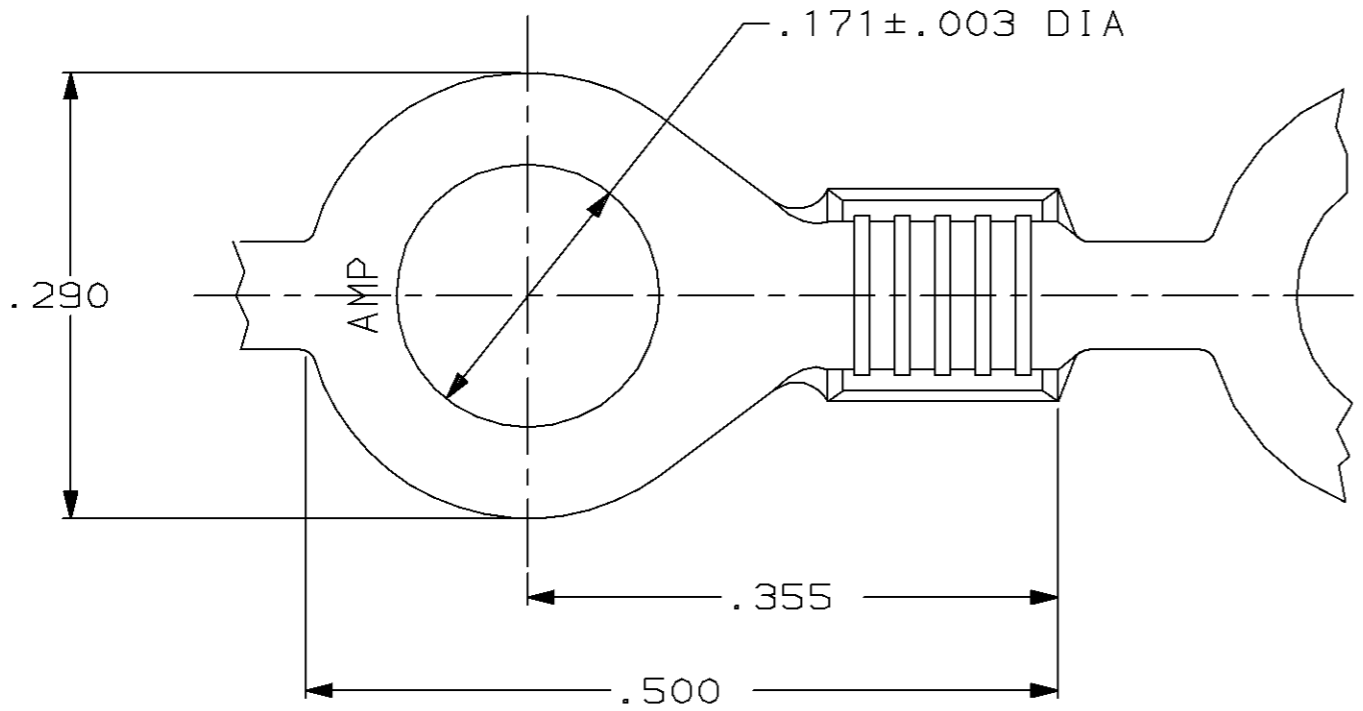
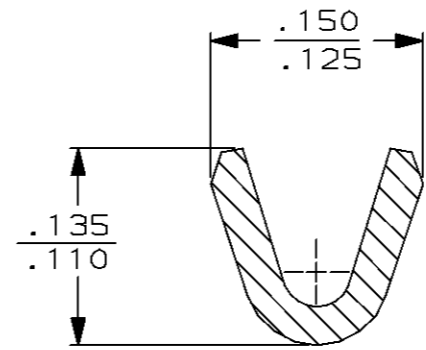
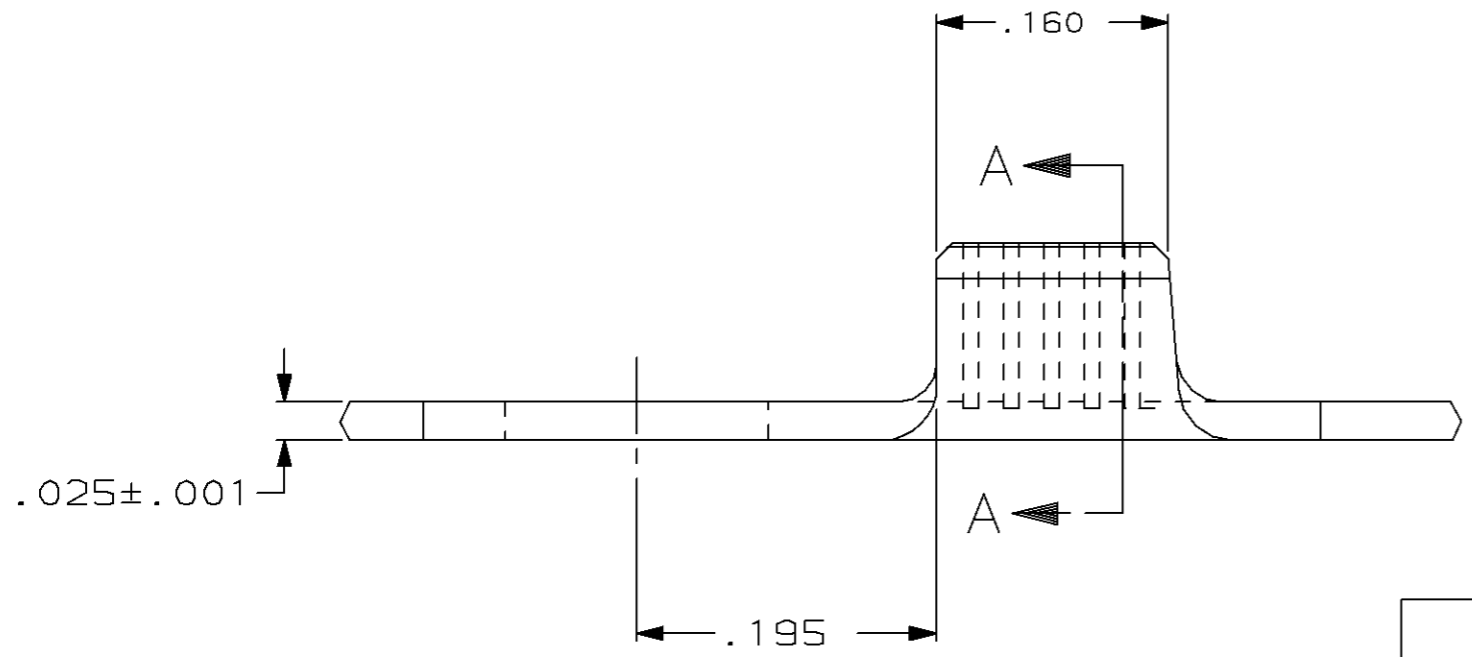


THIS DRAWING IS UNPUBLISHED. RELEASED FOR PUBLICATION ,19 .
© COPYRIGHT 19 BY AMP INCORPORATED, HARRISBURG, PA. ALL INTERNATIONAL RIGHTS RESERVED. AMP PRODUCTS MAY BE COVERED BY U.S. AND FOREIGN PATENTS AND/OR PATENTS PENDING.

LOC	DIST	P	F	ZONE	LTR	DESCRIPTION	DATE	APPROVED
AF	50				C	ADD -2 PER AF-8086	8/6/92	PF/GY



1 .000080 MIN TIN PL PER MIL-T-10727.



SECTION A-A

FINISH	WIRE SIZE	PART NO
\triangle	22-18	63446-2
—	22-18	63446-1

UNLESS OTHERWISE SPECIFIED DIMENSIONS ARE IN INCHES TOLERANCES ON: 2 PL DEC ± - 3 PL DEC ± .015 ANGLES ± -	DR 12/11/86 D HOLLINGSWORTH	AMP INCORPORATED Harrisburg, Pa. 17105
	CHK 1/6/87 G YETTER	
	APPD 1/6/87 R FRANTZ	
	APPD 1/6/87 T SHUTTER	
MATERIAL H01 BRASS	PRODUCT SPEC -	NAME RING, AMPLIVAR
FINISH SEE TABLE	APPLICATION SPEC -	SIZE B
	WEIGHT -	FSCM NO 00779
		DRAWING NO 63446
		SCALE 8:1
		SHEET 1 OF 1