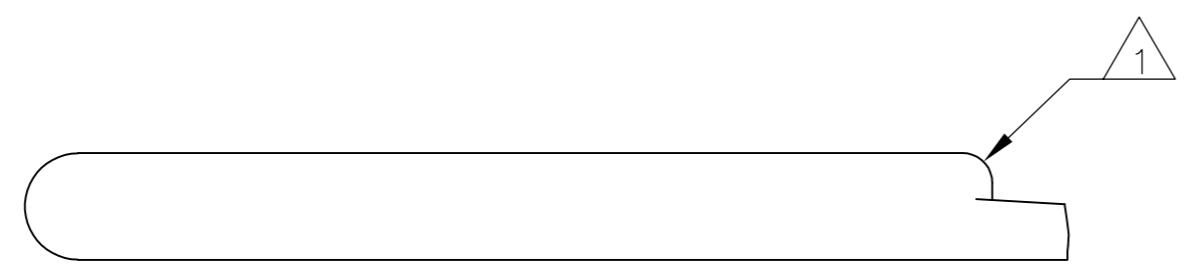
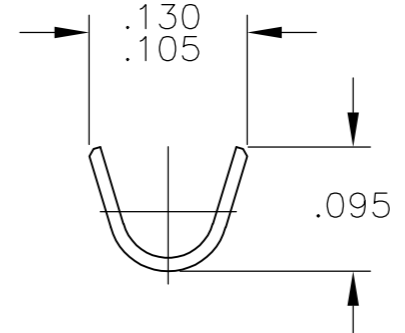
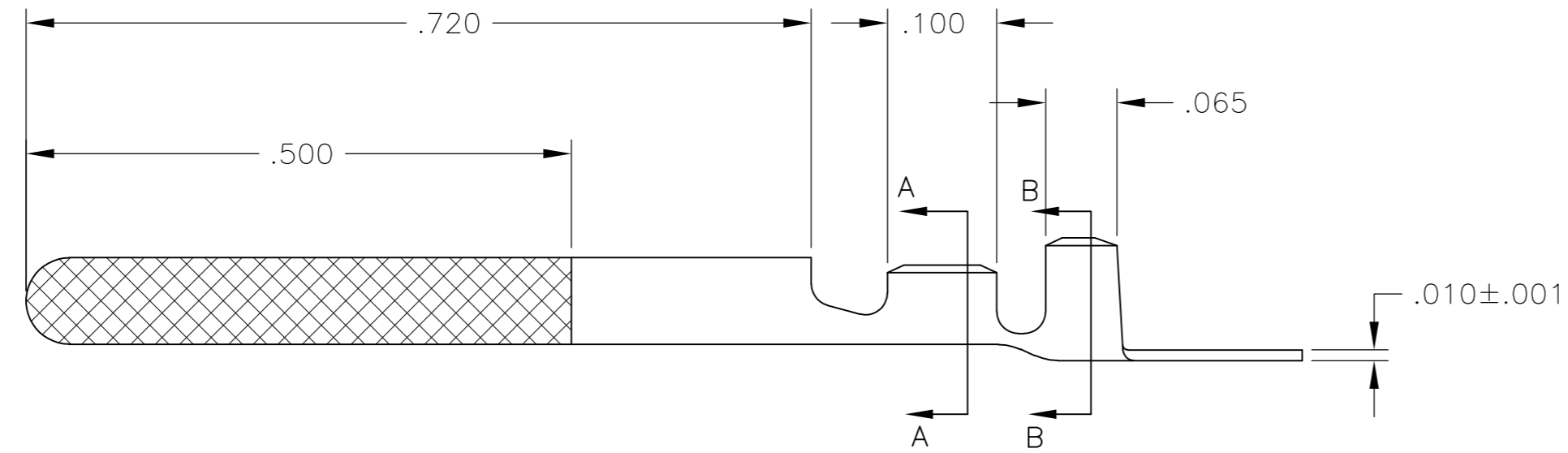
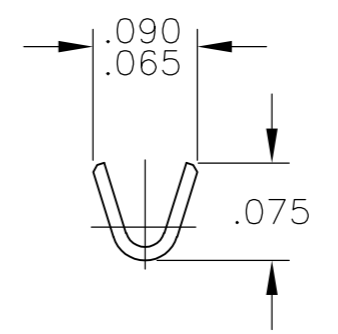
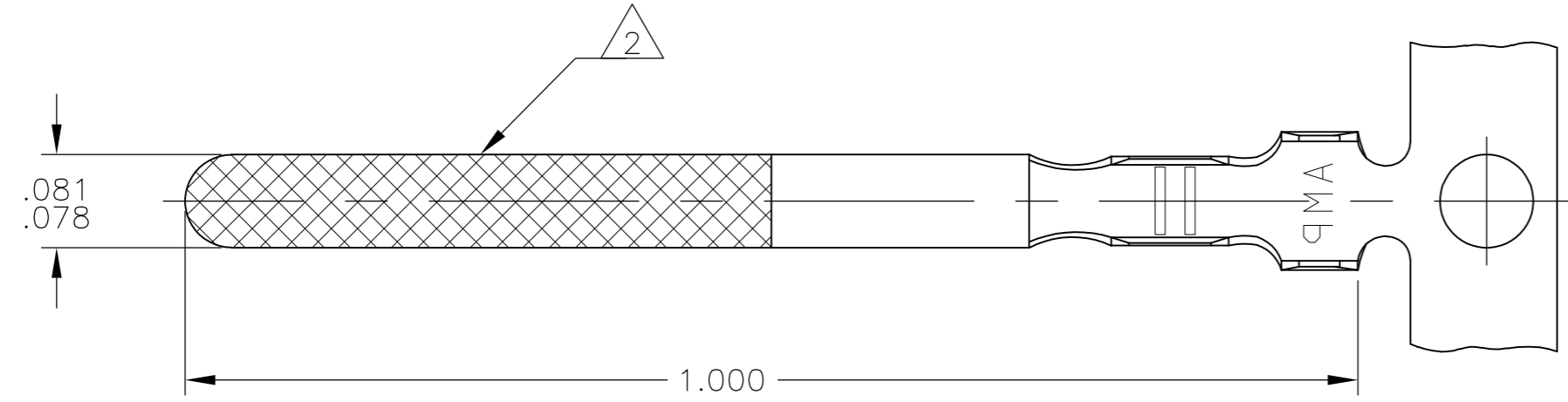


THIS DRAWING IS UNPUBLISHED. RELEASED FOR PUBLICATION
 © COPYRIGHT BY TYCO ELECTRONICS CORPORATION. ALL INTERNATIONAL RIGHTS RESERVED.

LOC	DIST	REVISIONS			
P	LTR	DESCRIPTION	DATE	DWN	APVD
AF	50				
	K1	REDRAWN PER ECR-08-032847	09FEB09	HMR	JR
	K2	REVISED PER ECO-09-020932	08SEP09	KK	AEG

- 1 CRIMP DONE IN APPLICATOR
- 2 GOLD ON AREA MARKED .000015 - .000020 THK. WITH NICKEL OVER ENTIRE PART .000080 THK.
- 3 OBSOLETE PARTS: OBSOLETE CIS STREAMLINING PER D.RENAUD/D.SINISI



3	1	1	1	1	1
OBSELETE	REVERSE REELED	OBSELETE	GOLD/NICKEL	24-20	.043-.073
SUPERSEDED	OBSELETE	OBSELETE	BRIGHT TIN/LEAD OVER NICKEL	24-20	.043-.073
			TIN	24-20	.043-.073
			FINISH	WIRE AWG	INSULATION RANGE
					PART NO

THIS DRAWING IS A CONTROLLED DOCUMENT.		DWN RAGHAVENDRA 09FEB09	Tyco Electronics Corporation Harrisburg, PA 17105-3608	
DIMENSIONS: INCHES		CHK JEFF RUTH 09FEB09	NAME	
TOLERANCES UNLESS OTHERWISE SPECIFIED:		APVD DON DECKER 09FEB09	PRODUCT SPEC	
0 PLC ± -		APPLICATION SPEC		
1 PLC ± -		WEIGHT -		
2 PLC ± -		SIZE A2		
3 PLC ± .015		CAGE CODE 00779		
4 PLC ± -		DRAWING NO C=62358		
ANGLES ± 1°		RESTRICTED TO -		
MATERIAL BRASS	FINISH SEE TABLE	SCALE 7:1 SHEET 1 of 1 REV K2		