

4

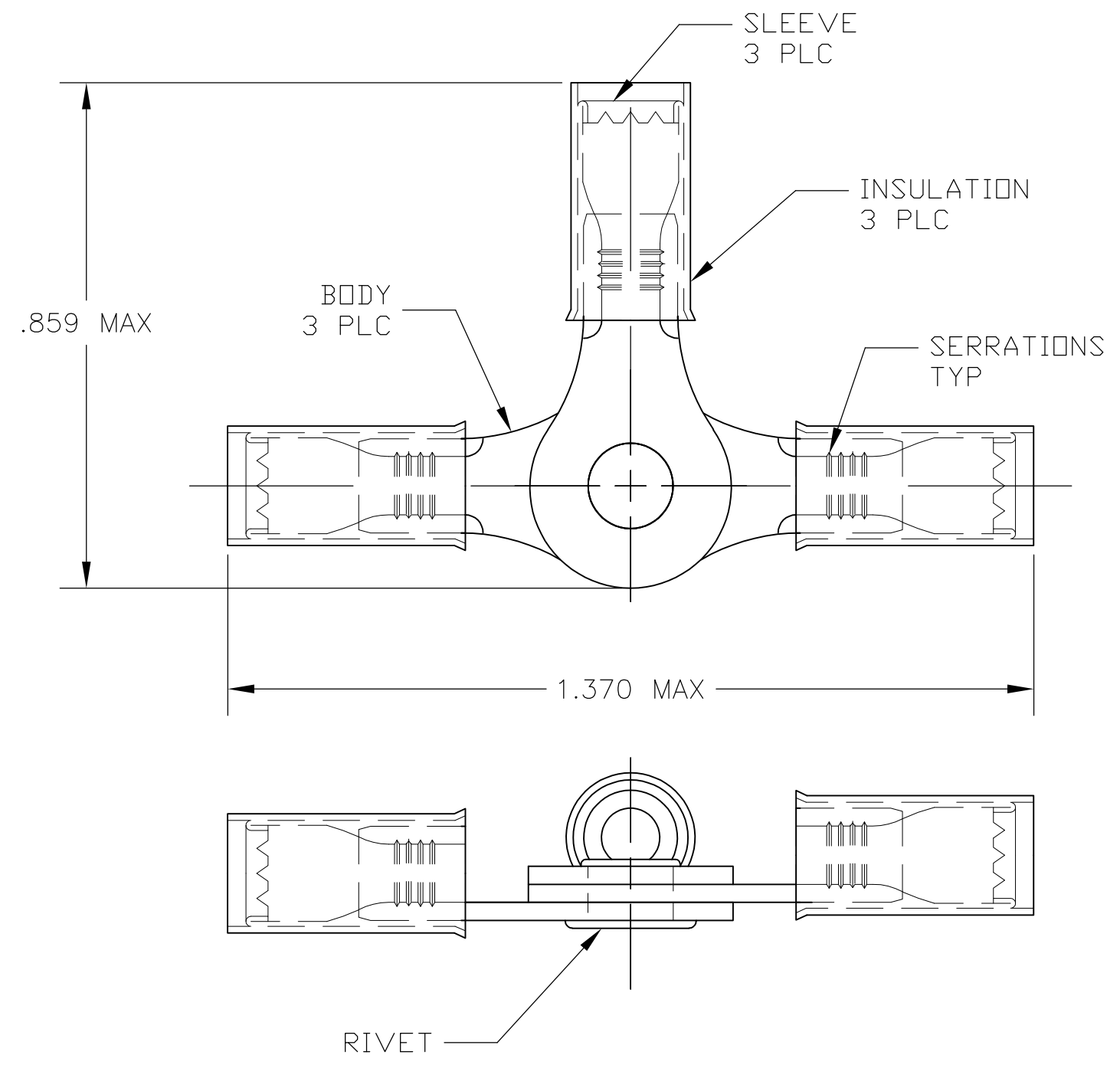
3

2

1

THIS DRAWING IS UNPUBLISHED. RELEASED FOR PUBLICATION
 © COPYRIGHT - BY TYCO ELECTRONICS CORPORATION. ALL INTERNATIONAL RIGHTS RESERVED.

LOC	DIST	REVISIONS					
		P	LTR	DESCRIPTION	DATE	DWN	APVD
G	02		E	REDRAWN PER ECR 09-024066	04FEB10	JR	TM



- 1 TONGUE MATERIAL THK IS .031±.002
- 2 FOR .115-.170 WIRE INSULATION DIA
- △ 3 BODY & SLEEVE: COPPER PER ASTM B152
TIN PLATE PER ASTM B545, ANNEALED
INSULATION: NYLON, COLOR - BLUE
RIVET: BRASS PER ASTM B36
TIN PLATE PER ASTM B545
- △ 4 SUPERSEDED BY 53222-1

50	LOOSE PIECE, BOX SPECIAL	△ 4	8-53222-5
10	LOOSE PIECE, BAG	△ 4	8-53222-4
25	LOOSE PIECE, BOX	△ 4	8-53222-3
1000	LOOSE PIECE		53222-1
QTY	PACKAGING TYPE		PART NUMBER

THIS DRAWING IS A CONTROLLED DOCUMENT.		DWN jr_ruth 04FEB10	Tyco Electronics Corporation Harrisburg, PA 17105-3608	
DIMENSIONS: INCHES		CHK TOM MICHIELUTTI 04FEB10	NAME TOM MICHIELUTTI	
TOLERANCES UNLESS OTHERWISE SPECIFIED:		APVD TOM MICHIELUTTI 04FEB10	PRODUCT SPEC	
0 PLC ± - 1 PLC ± - 2 PLC ± - 3 PLC ± .008 4 PLC ± - ANGLES ± 5°		APPLICATION SPEC		
MATERIAL		WEIGHT	SIZE A3	CAGE CODE 00779
FINISH			DRAWING NO C-53222	RESTRICTED TO
- 3			CUSTOMER DRAWING	SCALE 8:1
			SHEET 1 OF 1	REV E