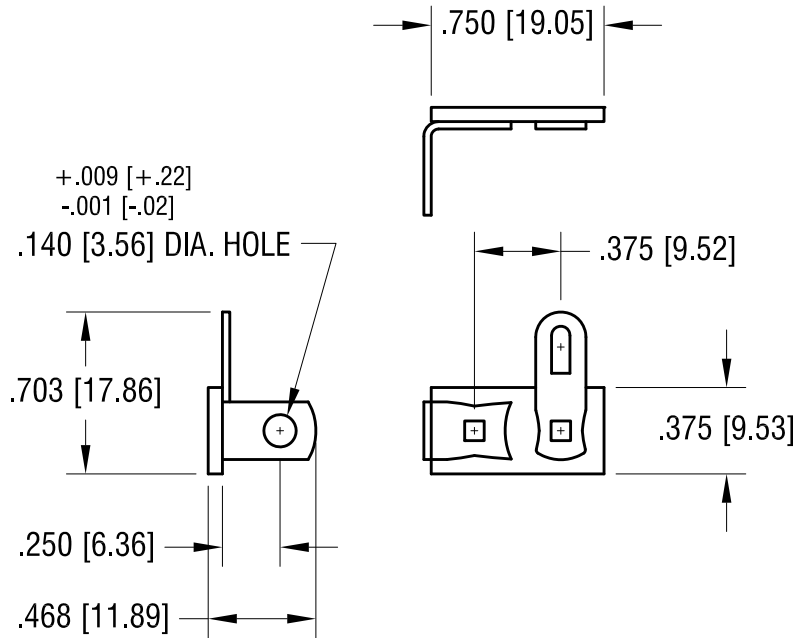


THIS DOCUMENT IS THE PROPERTY OF  
KEYSTONE ELECTRONICS CORP. AND  
SHALL NOT BE REPRODUCED, DISTRIBUTED  
OR USED AS A BASIS FOR MANUFACTURE  
WITHOUT PRIOR WRITTEN PERMISSION  
FROM KEYSTONE ELECTRONICS CORP.



**NOTE:**

1. BASE: MAT'L -  $.062$  [ $1.57$ ] TH'K XP PHENOLIC  
TERMINAL: MAT'L - TINNED BRASS

**KEYSTONE ELECTRONICS CORP.**

www.keyelco.com • ASTORIA, N.Y. 11105-2017 • Tel (718) 956-8900

PART NAME

TERMINAL STRIP

MATERIAL

AS NOTED

FINISH

AS NOTED

DRN BY

BOONE

DATE

7.18.07

APP'D

LN

SCALE

1.2X

TOLERANCES

INCH [MM]

DECIMAL  $\pm .015$  [ $\pm 0.38$ ]

ANGULAR  $\pm 1^\circ$

UNLESS OTHERWISE SPECIFIED

CODE

C

DWG NO.

806

DATE

DESCRIPTION

REV.