

38F SERIES BUTTON CAPS PART NUMBERING SYSTEM

38HH2039-12

CAP SIZE:

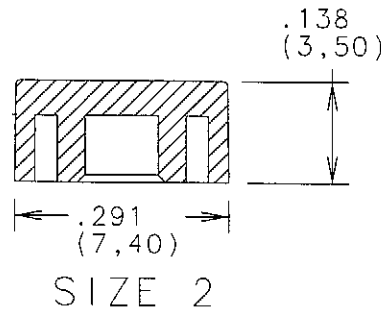
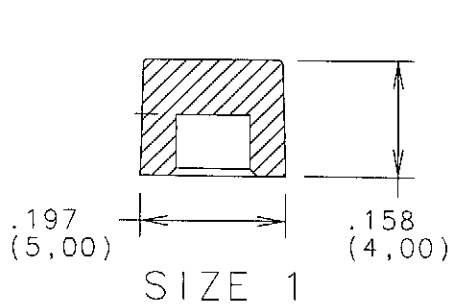
- 1= .197 DIA.
- 2= .291 DIA.

NOTES:

- 1. CAPS FIT 38F SERIES PUSHBUTTONS.

CAP COLOR

- 1= WHITE
- 2= BLACK (STD.)
- 3= RED
- 4= ORANGE
- 5= YELLOW
- 6= GREEN
- 7= BLUE
- 8= BROWN
- 9= GRAY



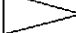


ALL REVISIONS TO THIS DRAWING
MUST BE MADE ON THE CAD SYSTEM

REVISIONS

Grayhill GRAYHILL, INC.
561 HILLGROVE AVE.
LA GRANGE, IL 60525
PHONE (708) 354-1040

UNLESS OTHERWISE SPECIFIED TOLERANCES
AND DIMENSIONS ARE IN INCHES
LINEAR ± DIAMETERS ±
ANGULAR ±
LIMITS APPLY BEFORE FINISHING
DO NOT SCALE THIS PRINT

CRITICAL CHARACTERISTIC FLAGS
PER GRAYHILL SPEC.SOP2338

-  -- CRITICAL CHARACTERISTIC FLAG
-  -- Cpk REQUIRED
-  -- S.P.C. FLAG (CONTROL CHART REQ'D ON FEATURE SPECIFIED)

FINISH	APPROVED DATE KJS 7-24-03
MATERIAL	CHECKED DATE JMT 7-23-03
NAME BUTTON CAP	DRAWN DATE CWS 7-23-03

CAGE NO. 81073 CADAM DRAWING
38HH2039-X_A_001

A DWG. NO. 38HH2039-X ISSUE
SIZE A

SCALE 4:1 SHEET 1 OF 1