

# SPECIFICATIONS

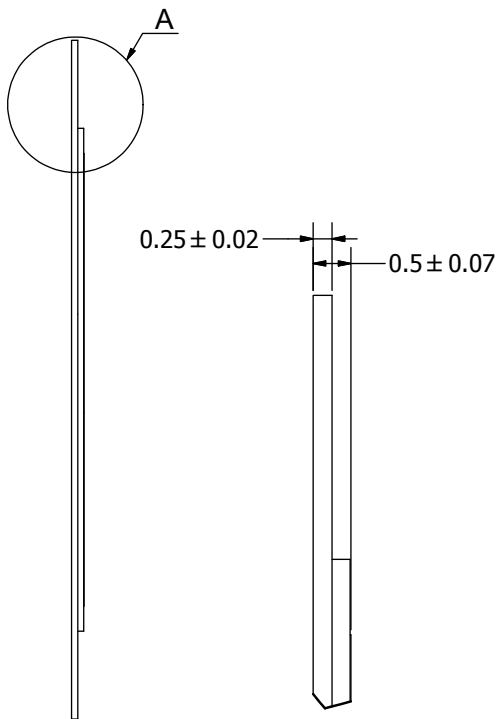
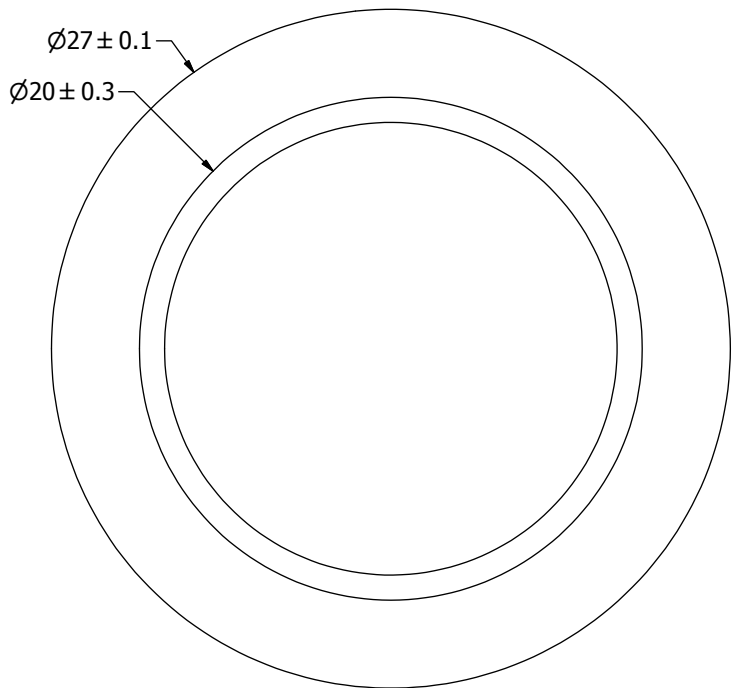
PARAMETERS	VALUES	UNITS
RESONANT FREQUENCY	4,600 ± 500	Hz
RESONANT IMPEDANCE (MAX)	250	Ohm
MAX INPUT VOLTAGE	20	Vp-p
CAPACITANCE @ 1kHz	16,000 ±30%	pF
PLATE MATERIAL	BRASS	-
OPERATING TEMPERATURE	-20 ~ +70	°C
STORAGE TEMPERATURE	-30 ~ +80	°C

THIS DOCUMENT CONTAINS DATA PROPRIETARY TO PROJECTS UNLIMITED, INC. ANY USE OR REPRODUCTION, IN ANY FORM, WITHOUT PRIOR WRITTEN PERMISSION OF PROJECTS UNLIMITED, INC. IS PROHIBITED.

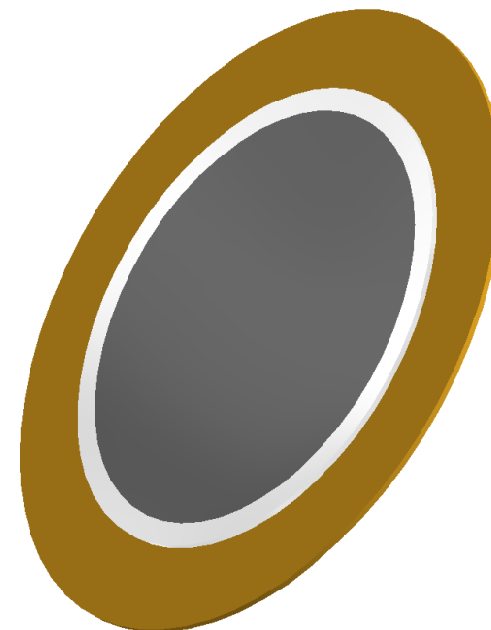
©2003, Projects Unlimited Inc.

# REVISION HISTORY

LTR	DESCRIPTION	DATE	APPROVED
-	RELEASED FROM ENGINEERING	4/11/2002	
A	REVISED TO NEW TEMPLATE	9/4/2003	R.W.
B	REVISED SPECIFICATIONS	1/13/2004	R.W.
C	REVISED TO INVENTOR 3-D DRAWING TEMPLATE	8/13/2010	B.R.

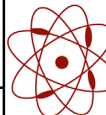


A ( 15 : 1 )



### NOTES:

1. ALL DIMENSIONS ARE IN MILLIMETERS.
2. SPECIFICATIONS SUBJECT TO CHANGE OR WITHDRAWAL WITHOUT NOTICE.
3. THIS PART IS RoHS 2002/95/EC COMPLIANT.

UNLESS OTHERWISE SPECIFIED: DIMENSIONS ARE IN MILLIMETERS, TOLERANCES ARE ±0.5 AND ANGLES ARE ±3°.	SIZE	Designed by	Date	Checked by	Date	Approved by	Date	Drawn Date	
	A3	R.A.C.	4/11/2002			R.W.	4/12/2002	8/13/2010	
AB2746B.idw	 <b>pui audio</b> <small>a projects unlimited company</small>		<b>AB2746B</b>			<b>Bender</b>		Edition -	Sheet 1 / 1