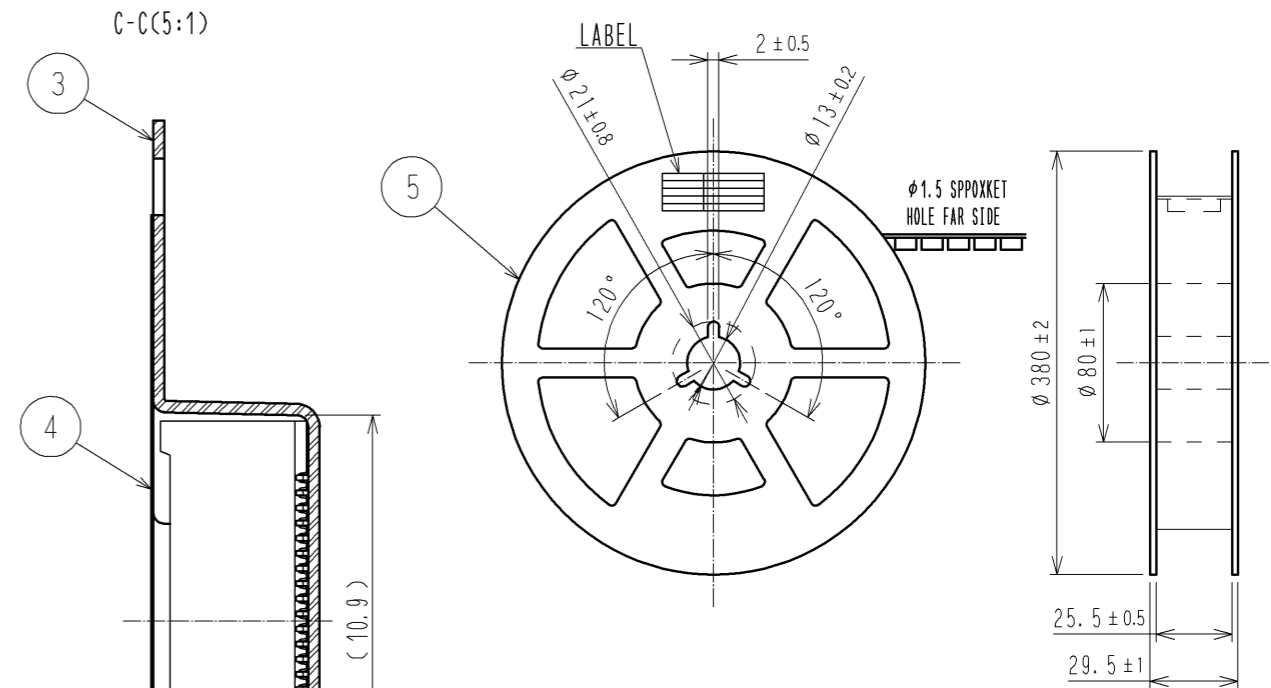
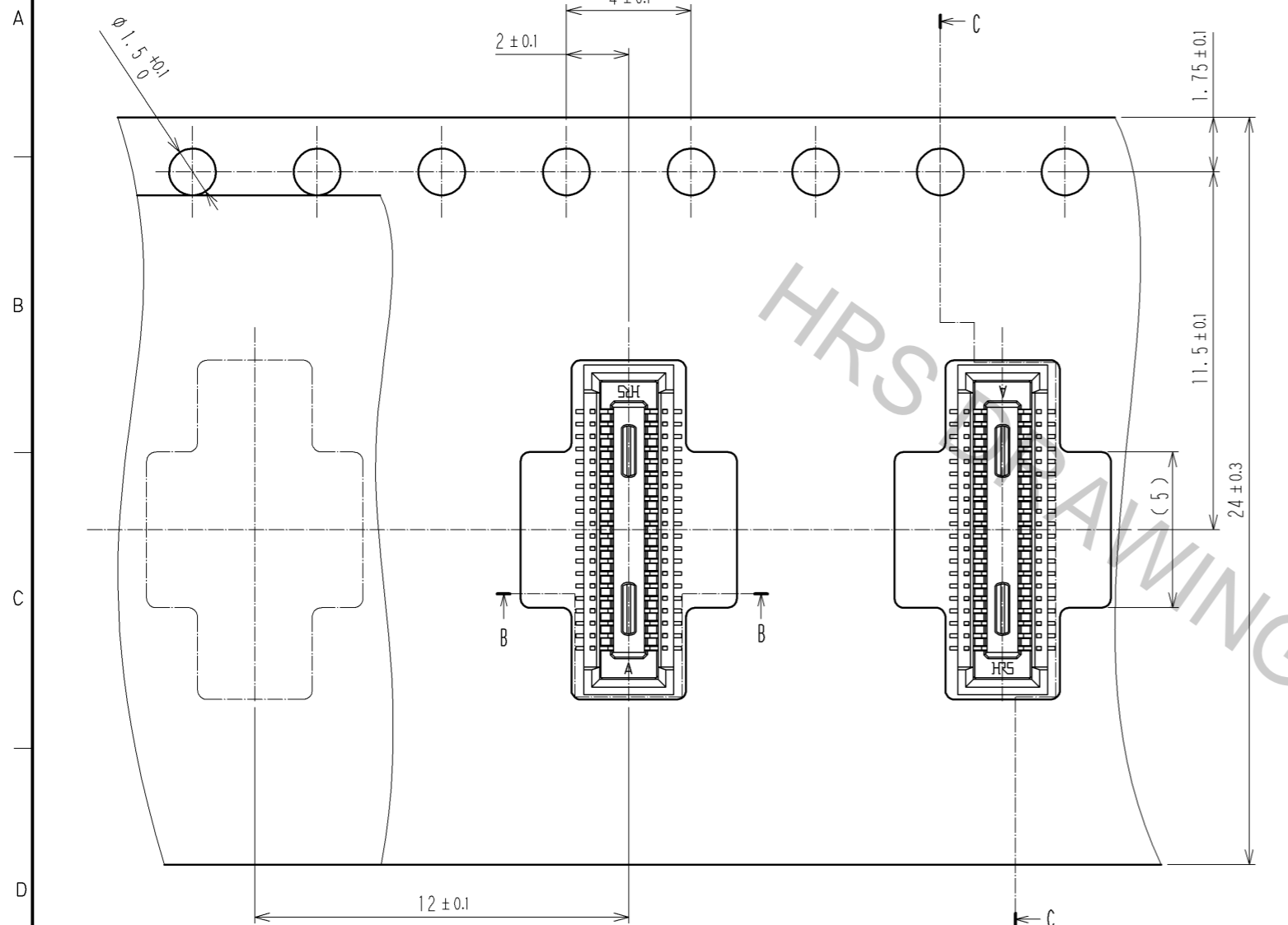


NOTE 1. ALL LEADS CO-PLANARITY SHALL BE 0.1 MAX.  
 2 IS NO PATTERN AREA OTHER THAN THE SAME CIRCUIT.  
 3 GATE POSITION IS POSITIONED IN APPROXIMAL AREA SHOWN.

2	PHOSPHOR BRONZE	CONTACT AREA: GOLD 0.05 μm MIN	5	PS	BLACK		
		SMT LEAD: GOLD 0.05 μm MIN	4	POLYESTER	CLEAR, COVER TAPE		
		UNDERPLATING: NICKEL 1 μm MIN	3	PS	CLEAR, EMBOSSED CARRIER TAPE		
1	LCP	BLACK, UL94V-0					
NO.	MATERIAL	FINISH, REMARKS	NO.	MATERIAL	FINISH, REMARKS		
UNITS mm		SCALE 10 : 1	COUNT 	DESCRIPTION OF REVISIONS	DESIGNED	CHECKED	DATE
<b>HRS</b> HIROSE ELECTRIC CO., LTD.		APPROVED : KH. IKEDA	10.03.31	DRAWING NO. EDC3-319007-01			
		CHECKED : AR. TAKAHASHI	10.03.31	PART NO. DF40HC(4.0)-40DS-0.4V(70)			
		DESIGNED : TK. SUZUKI	10.03.30	CODE NO. CL684-4111-6-70			
		DRAWN : TK. SUZUKI	10.03.30				1/2

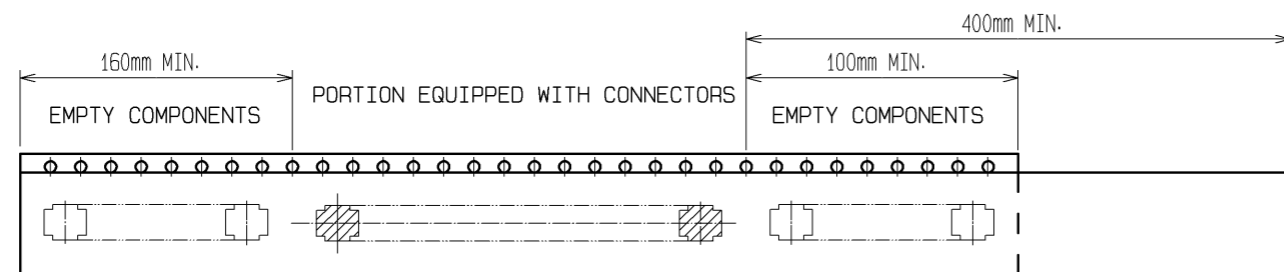
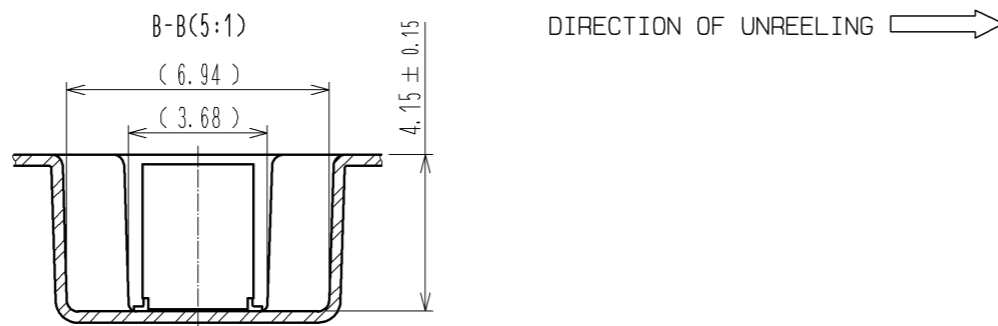
SCALE (5:1)

STYLE AND DIMENSION OF REEL (FREE SIZE)



7> DETAIL OF PART NO. LABEL

製造年月日	** ** *
製品コード	CL684-4111-6-70
製品名	DF40HC(4.0)-40DS-0.4V(70)
数量	1000
納入者	ヒロセ電機(株)



- NOTES)
- PER REEL 1000 CONNECTORS.
  - THE DIMENSIONS IN PARENTHESES ARE FOR REFERENCE.
  - REFER TO JIS C 0806(PACKING OF COMPONENTS FOR AUTOMATIC HANDLING)
  - DETAIL OF PART NO. LABEL IS WRITTEN IN JAPANESE.  
 PRODUCTION DATE:  
 PRODUCT CODE: CL684-4111-6-70  
 PART NUMBER: DF40HC(4.0)-40DS-0.4V(70)  
 NUMBER OF PIECES: 1000 PIECES  
 SUPPLIER NAME: HIROSE ELECTRIC CO., LTD.
  - THE POCKET SHAPE IS DIFFERENT AT INTERVALS OF FOUR POKCES TO AVOID OVERLAP.

<b>HRS</b>	DRAWING NO.	EDC3-319007-01
	PART NO.	DF40HC(4.0)-40DS-0.4V(70)
	CODE NO.	CL684-4111-6-70
		$\triangle$ 2/2