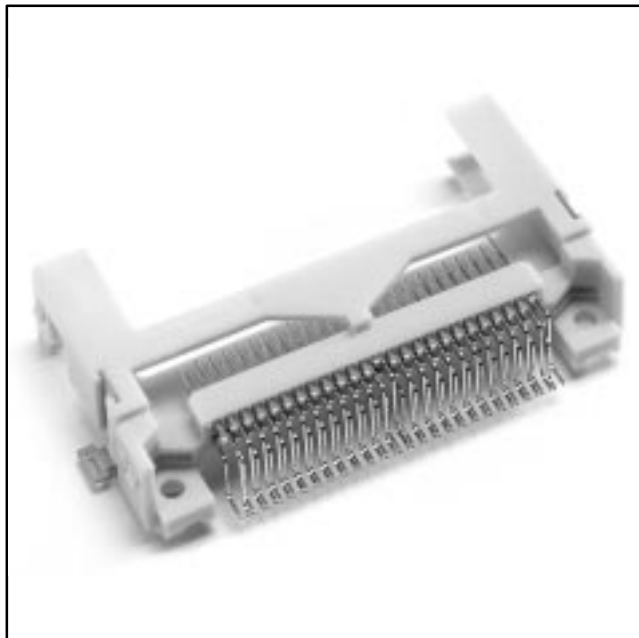


.050" × .050" CF Card Header

Type I, Surface Mount



- Single row solder tails — 0.635 mm spacing
- Board component clearance — 1.64 mm standoff
- Ejector option — easy removal of CF Card from right angle header
- Meets CFA standards — known reliability
- Retainer Clip option — stability for mobile or high vibration applications

Date Modified: August 2, 2001

TS-0662-17
Sheet 1 of 4

14

Physical

Insulation

Material: Liquid Crystal Polyester (LCP)
Flammability: UL 94V-0
Color: Beige

Contact

Material: Copper Alloy

Plating

Underplate: 100 μ " [2.54 μ m] Nickel — QQ-N-290, Class 2
Wiping Area: Gold Flash over 80/20 Palladium Nickel
Solder Tails: 50 μ " [1.27 μ m] 85/15 Tin Lead — MIL-P-81728

Electrical

Current Rating: .5 A

Insulation Resistance: $>1 \times 10^9 \Omega$ at 500 Vdc
 $>1 \times 10^8 \Omega$ at 500 Vdc after Environmental Conditioning

Withstanding Voltage: 500 Vrms at Sea Level

Environmental

Temperature Rating: -55°C to $+85^\circ\text{C}$

Process Rating: Maximum 235°C , with 90 seconds over 215°C

UL File No.: E68080

3M Interconnect Solutions Division

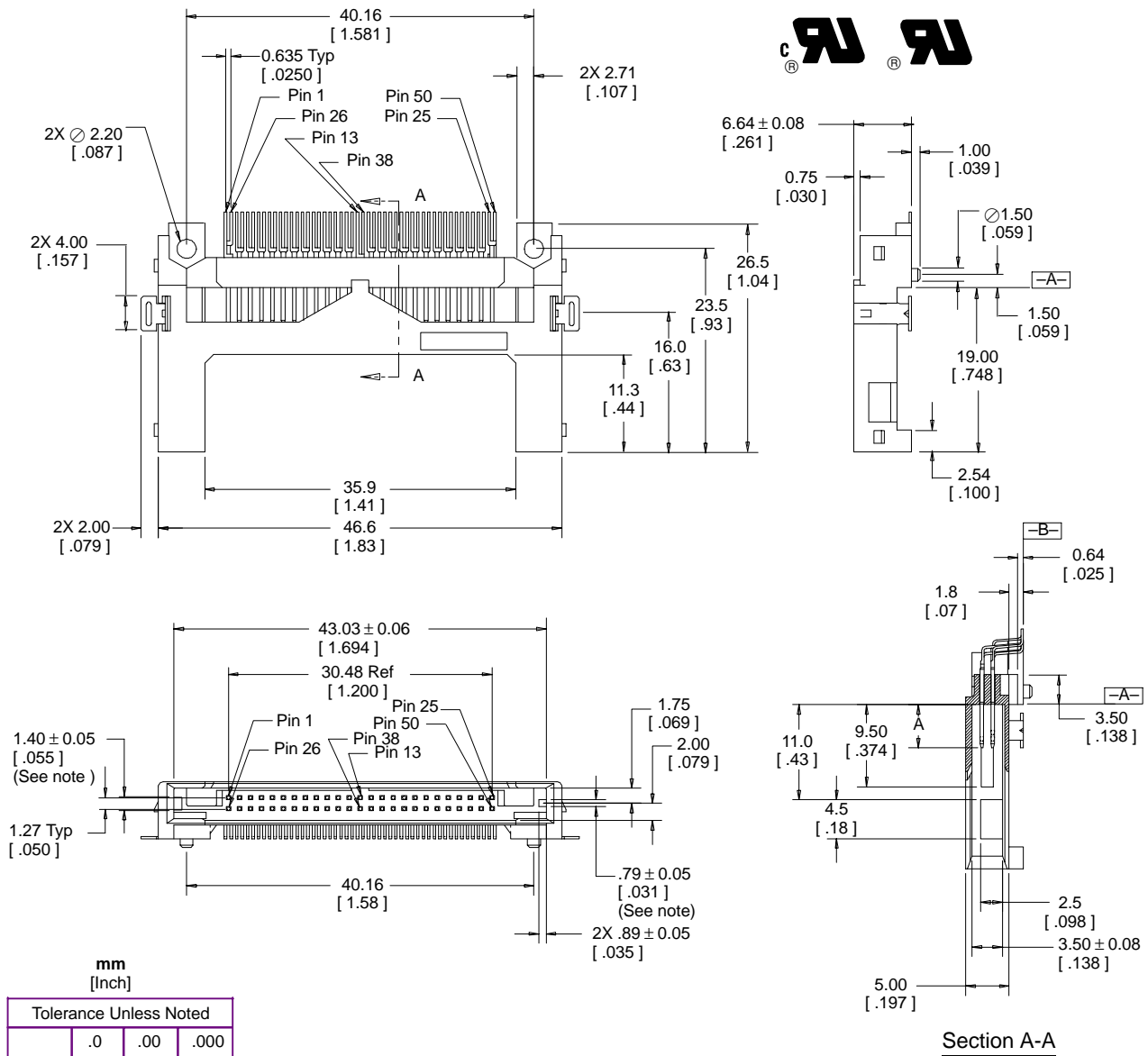
6801 River Place Blvd.
Austin, TX 78726-9000

For technical, sales or ordering information call
800-225-5373

.050" × .050" CF Card Header

Type I, Surface Mount

Pin Type	Interface Dim A	Pin No.
detect	3.50 [.138]	25, 26
general	4.25 [.167]	all other pins
power	5.00 [.197]	1, 13, 38 & 50



Note: Normal (Option "7") style shown. For Inverse style rotate polarization keys and pin call outs 180°.

Ordering Information

N7E50-X516XX-20

Options: CF Card Polarization
 7 = Normal
 A = Inverse

Plating
 VU = Au Flash over 25μ" [0.64μm] PdNi

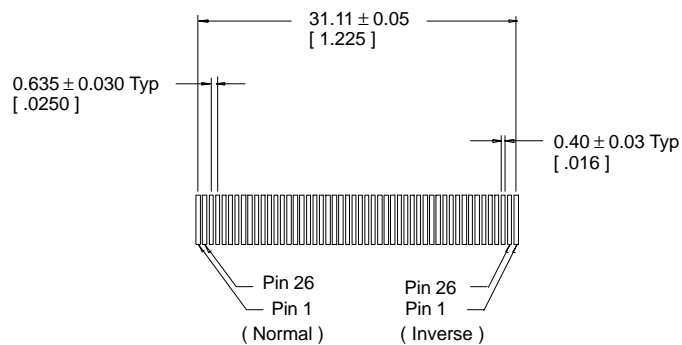
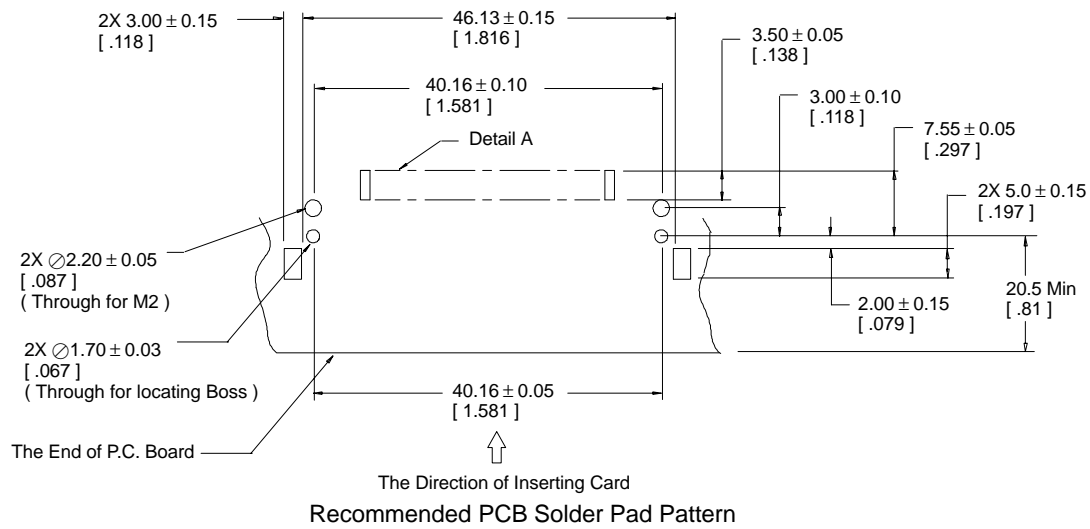
TS-0662-17
 Sheet 2 of 4

3M Interconnect Solutions Division

6801 River Place Blvd.
 Austin, TX 78726-9000

For technical, sales or ordering information call
800-225-5373

.050" × .050" CF Card Header Type I, Surface Mount

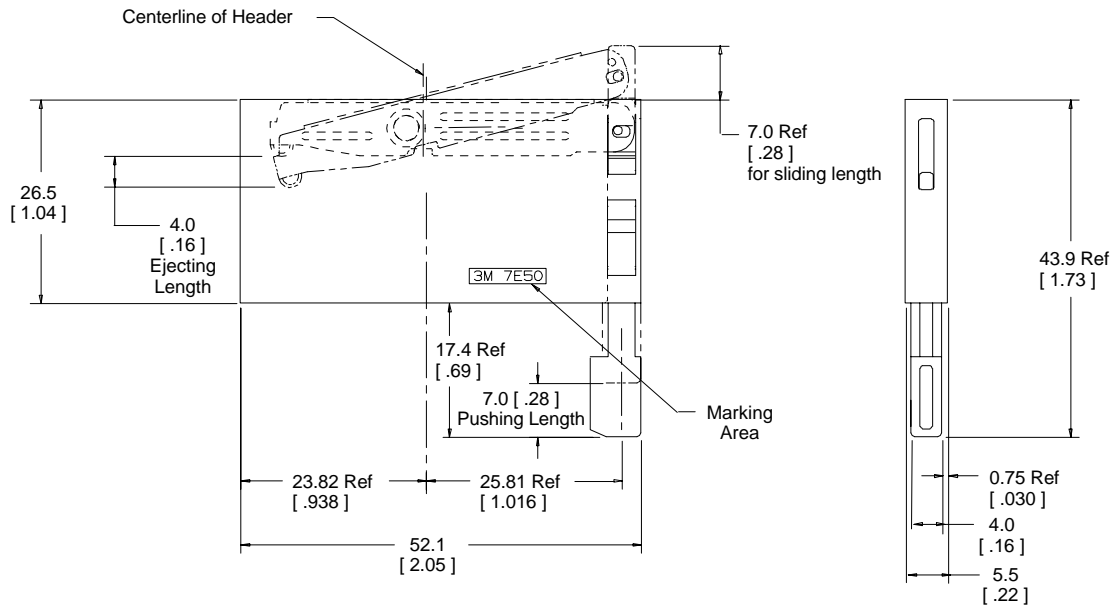


Detail A

.050" × .050" CF Card Header Type I, Surface Mount

Right Button Ejector 3M Part **D7E50-7316-03**

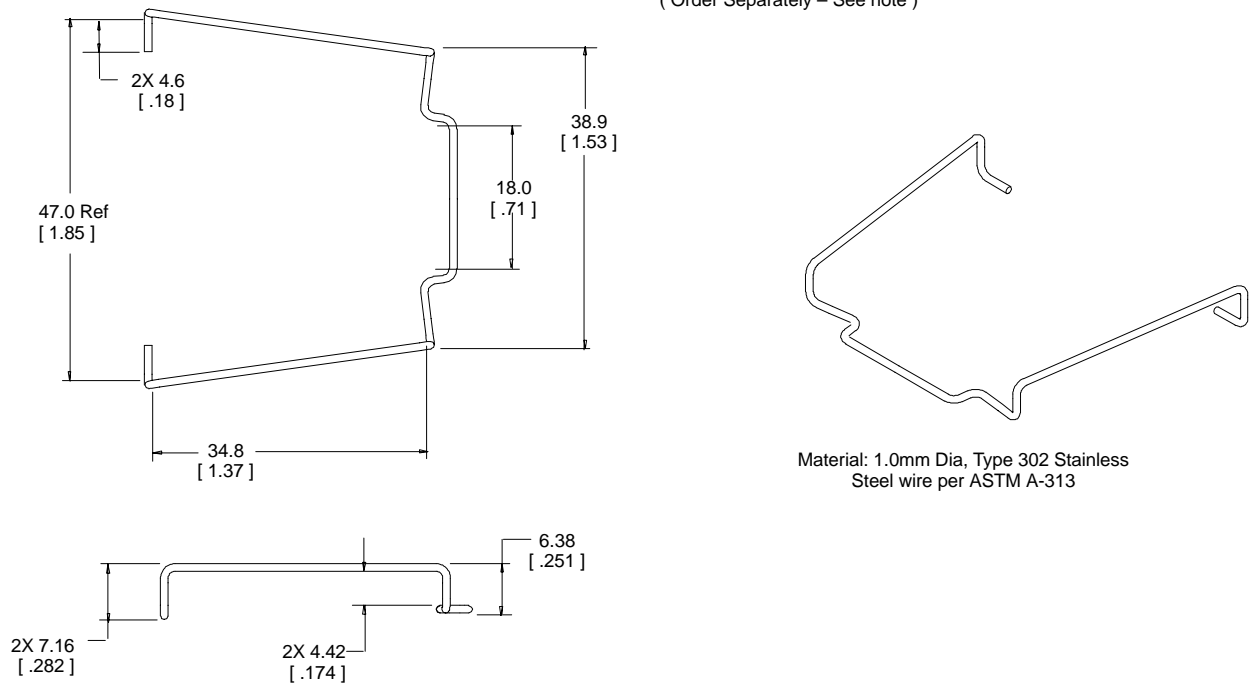
(Order Separately – See note)



Material
Holder: Glass Filled LCP
Button: PBT
Plate: Stainless Steel

CF Card Retainer Clip 3M Part **3505-34**

(Order Separately – See note)



Material: 1.0mm Dia, Type 302 Stainless
Steel wire per ASTM A-313

Note: Use of either an ejector or a retainer clip excludes the use of the other.

TS-0662-17
Sheet 4 of 4

3M Interconnect Solutions Division

6801 River Place Blvd.
Austin, TX 78726-9000

For technical, sales or ordering information call
800-225-5373