

THIS DRAWING IS UNPUBLISHED.

RELEASED FOR PUBLICATION MAR , 2004.

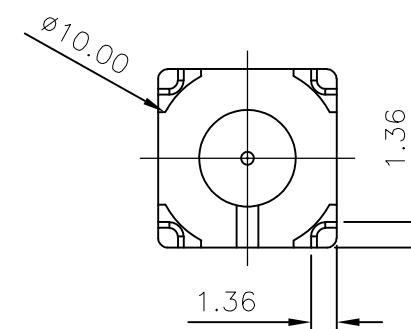
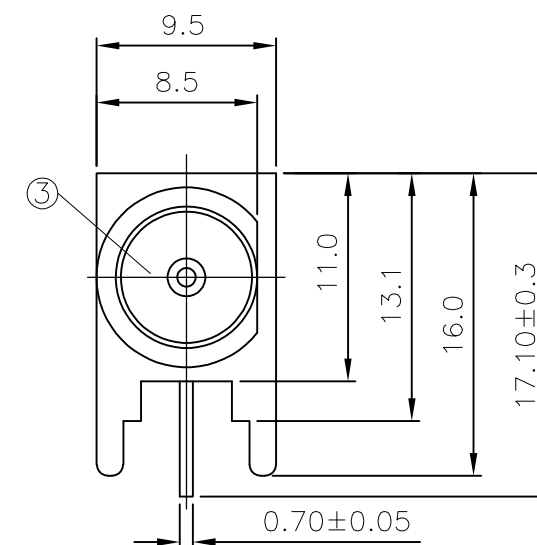
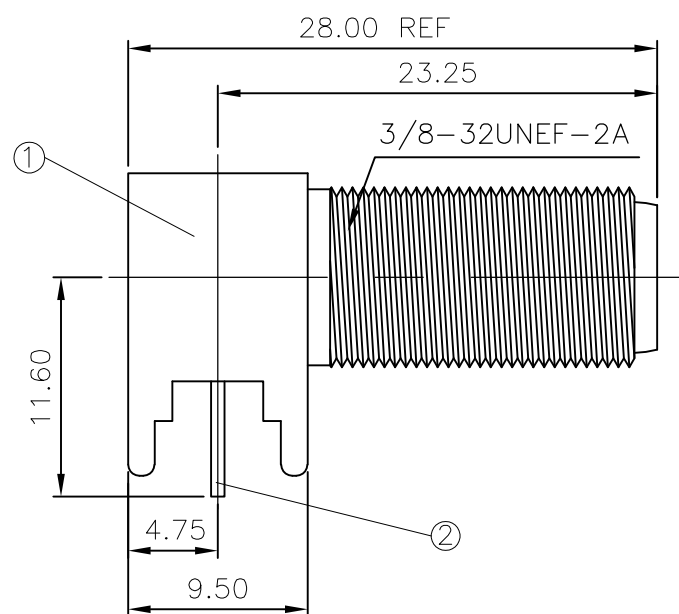
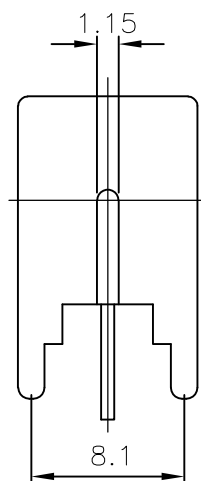
© COPYRIGHT 2004 By -

ALL RIGHTS RESERVED.

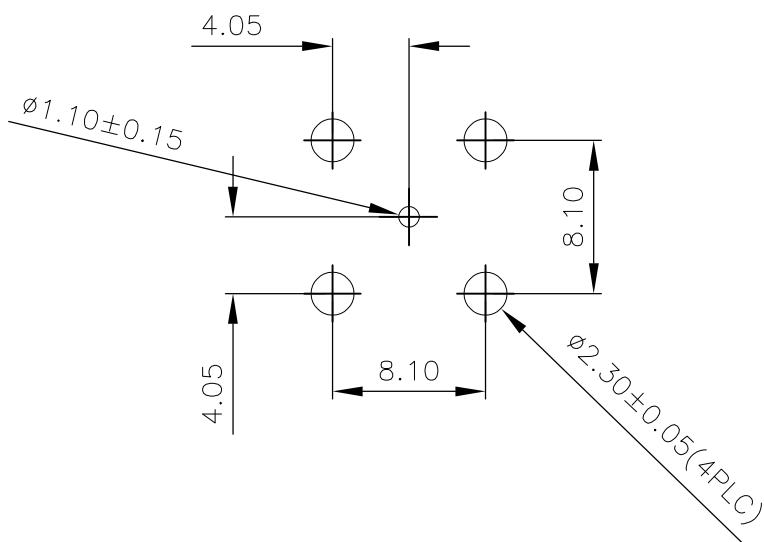
LOC E	DIST B	REVISIONS			DATE	DWN	APVD
P	LTR	DESCRIPTION	DATE	DWN	APVD		
	C	ECO-11-003575	15APR2011	RZ	MY		

NOTES

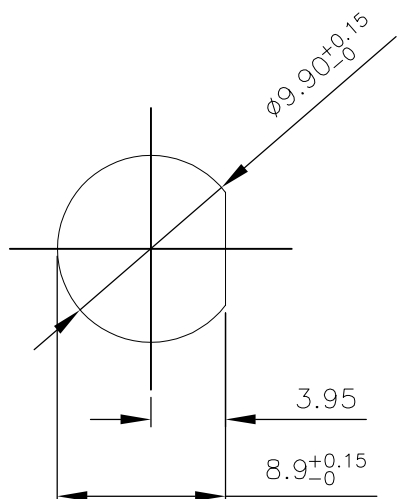
- ① PACKAGING: 50 PCS/TRAY, 20 TRAYS/CTN
- ② PACKAGING: SINGLE PACK, 1PC/BAG, 100 BAGS/BOX, 10 BOXES/CTN
- ③ TIN PLATING
- ④ Ni PLATING
- ⑤ PACKAGING: 100 PCS/BAG, 1BAG/BOX, 10 BOXES/CTN



RECOMMENDED PCB LAYOUT WITH MOUNTING POSTS



RECOMMENDED MOUNTING HOLE



					1	1	1	TPX	INSULATOR	3
					1	1	1	PHOS BRONZE	③ CONTACT	2
					1	1	1	ZINC ALLOY	④ BODY	1
					5--2	5--1	5--0	MATERIAL	DESCRIPTION	ITEM
					⑤	②	①			
QUANTITY PER ASSY							PARTS LIST			

THIS DRAWING IS A CONTROLLED DOCUMENT.		DWN ANSON MA 14FEB09	STE TE Connectivity			
		CHK RITA ZUO 14FEB09				
		APVD BOB ZHAO 14FEB09	NAME			
		PRODUCT SPEC 108-112000	F SERIES CONNECTOR ELBOW JACK PCB			
		APPLICATION SPEC				
MATERIAL -		FINISH -	SIZE A3	CAGE CODE 00779	DRAWING NO C-1634540	RESTRICTED TO -
CUSTOMER DRAWING			SCALE NTS	SHEET 1 OF 1	REV C	