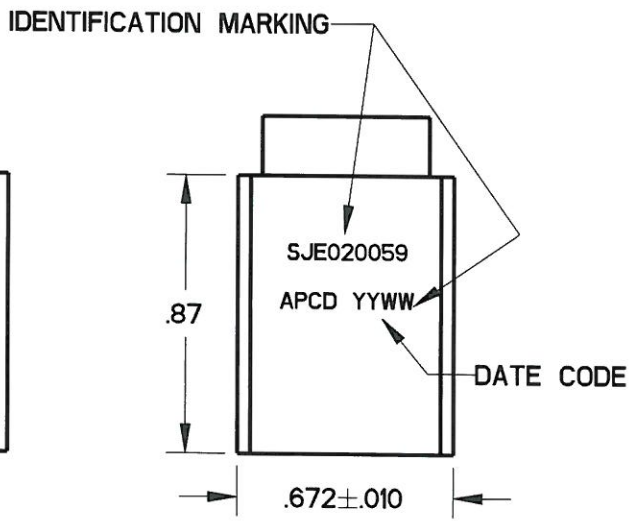
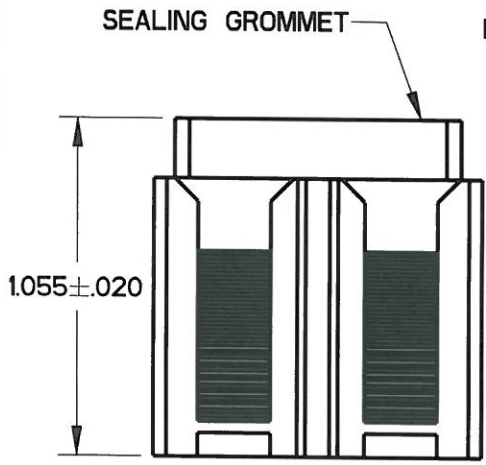
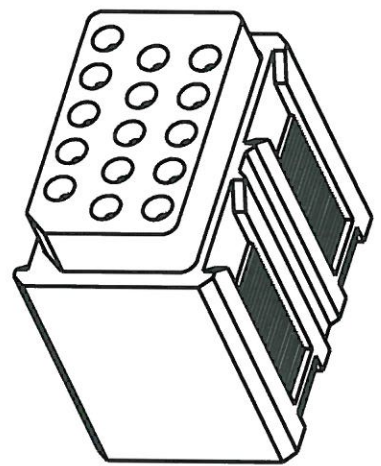
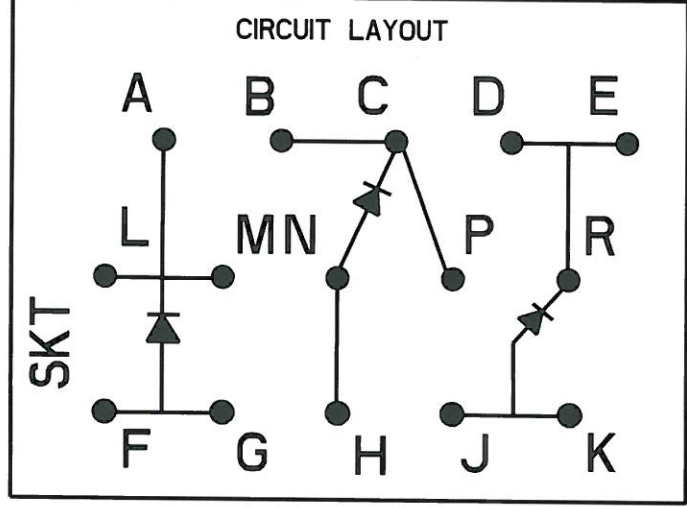
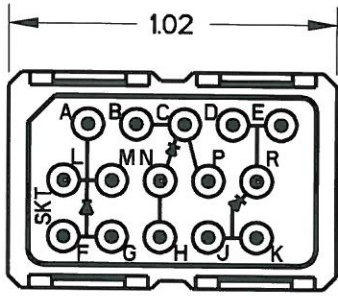


REV	ECN	APP'D
-	6579	<i>8/30/10</i>



- NOTES:
- MATERIALS:
 BODY: POLYETHERIMIDE PER ASTM-D5205.
 GROMMET: SILICONE BLEND ELASTOMER.
 DIODE: JANTX1N5618, QTY: 3.
 INTERNAL PIN CONTACT:
 COPPER ALLOY, HARD GOLD PLATE PER MIL-DTL-45204.
 - PERFORMANCE SPECIFICATION PER SAE-A581714.
 (SUBJECT TO LIMITATIONS OF THE ELECTRONIC COMPONENTS)
 TEMPERATURE: -65°C TO 200°C.
 INSULATION RESISTANCE: 5000 MEGOHMS MIN AT 25°C.
 DIELECTRIC WITHSTANDING VOLTAGE:
 1500 VRMS AT SEA LEVEL,
 AND 200 VRMS AT 100,000 FT. ALTITUDE.
 CURRENT RATING: 7.5A FOR SIZE 20 CONTACTS.
 VIBRATION AND SHOCK: PER MIL-T-81714 PARA 3.5.8 & 9.
 - MODULE ACCEPTS SOCKET CONTACTS (15) M39029/22-192.
 - MODULE TO BE MOUNTED ON M81714/67 RAIL SYSTEM.

DIMENSIONS ANSI Y14.5M UNITS: INCHES Pro/E FILE	TOLERANCES .XX ±0.01 .XXX ±0.005 ANGLES ±1.0°	PROJECTION 	Amphenol Pcd SPECIFICATION DRAWING		TITLE SJE SERIES ELECTRONIC MODULE (3) JANTX1N5618		
			ENGR M. DiGIACOMO 1/28/09		SIZE A	DWG NO. SJE020059	REV -
ORIGINAL 	THIS DOCUMENT CONTAINS PROPRIETARY INFORMATION WHICH IS THE CONFIDENTIAL PROPERTY OF AMPHENOL PCD BEVERLY, MA, USA		CHKD <i>Rid. Nenna</i> 8/30/10	APPD <i>Tan...</i> 8/30/10	CODE: 58982	SCALE: NONE	SHEET 1 OF 1