

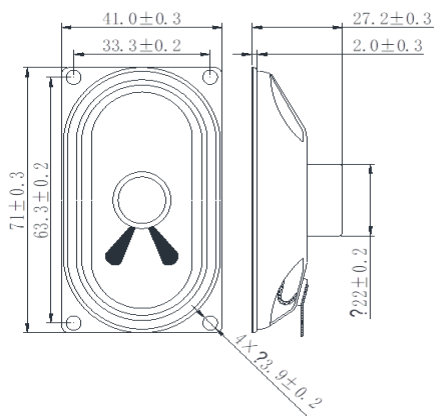


**MODEL:** WSP-417108  
**PRODUCT:** Water Resistant Speaker  
**EDITION:** A/2017



Specification	Unit	WSP-417108
AC Impedance	$\Omega$	$8 \pm 15\%$ at 1000Hz
Rated Input Power	Watt	3.0
Max Input Power	Watt	4.0
Resonant Frequency	Hz	$450 \pm 20\%$
Frequency Range	Hz	F0 ~ 15.0KHz, Average SPL $\pm 10$ dB
Output Sound Pressure Level	dB	$93 \pm 3$ dB 1.0 Watt/1.0 Meter AVG. at 0.8, 1.0, 1.2, 1.5KHz
Operating Temperature	$^{\circ}\text{C}$	$-20^{\circ}\text{C} \sim +50^{\circ}\text{C}$
Storage Temperature	$^{\circ}\text{C}$	$-40^{\circ}\text{C} \sim +60^{\circ}\text{C}$
Dimension	mm	71.0 x 41.0 x H27.2
Distortion		3% maximum at 1000Hz, 3.0W
Polarity		Diaphragm shall move forward when a positive DC current is applied to the "+" or "Marked" Terminal
Load Test		Audio Signal Generator at 4.9 Volt Total 48 hours and 20Hz ~ 20KHz resonant frequency
Abnormal Sound Test		Must be normal tested at 4.9 Volt sine wave
Ingress Rating		IP65

## DIMENSIONS



Unit: mm



## FREQUENCY RESPONSE

