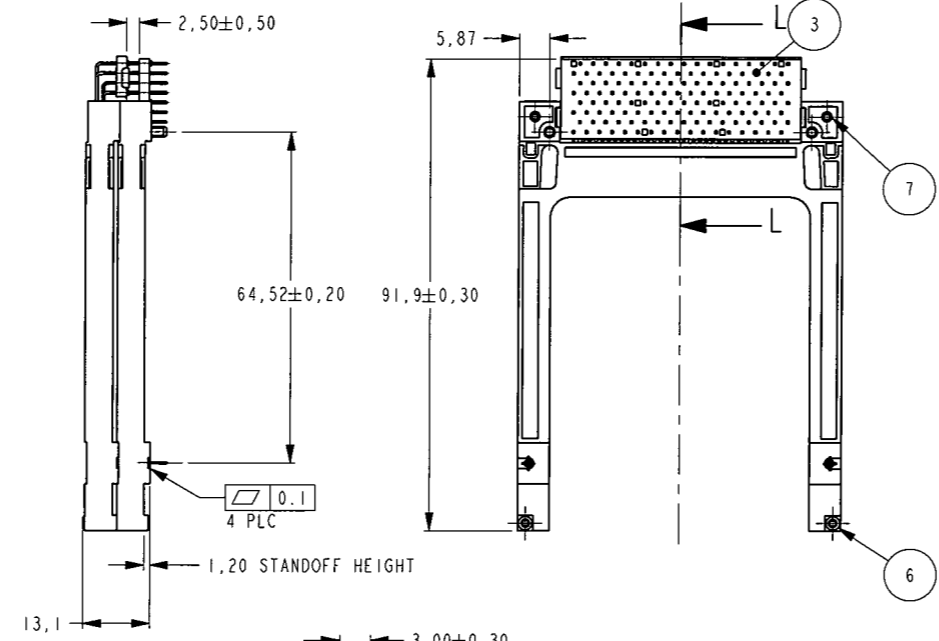
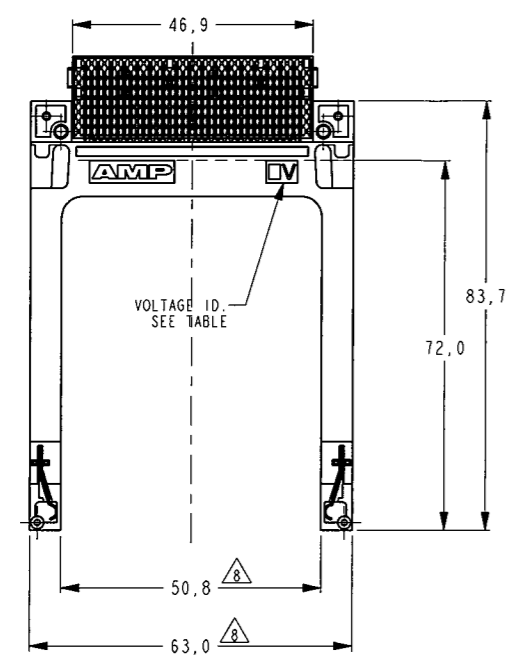


LOC		DIST		REVISIONS			
P	LTR	DESCRIPTION	DATE	DWN	APVD		
IR	-						
D		REVISED	30MAR2017	M.T	K.K		



NOTES/SPECIFICATION:

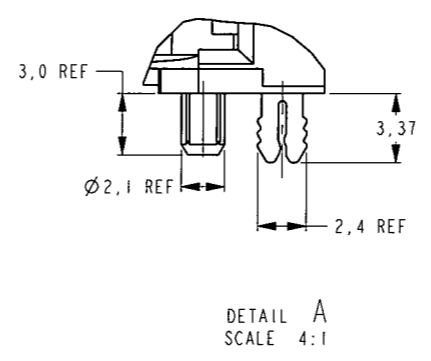
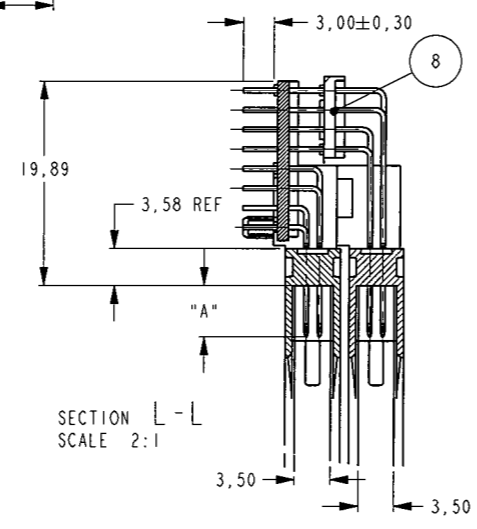
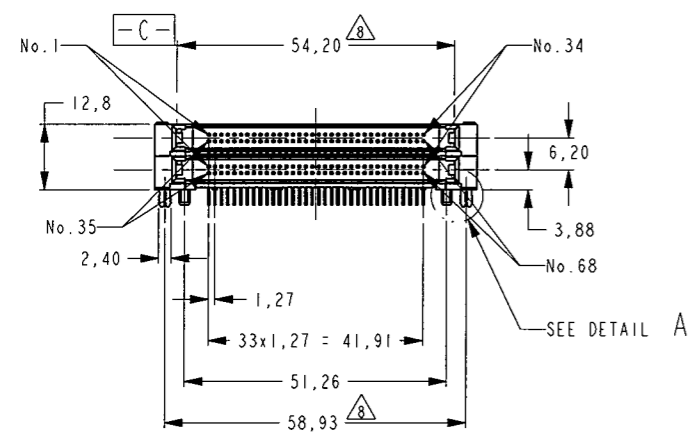
- TOP HEADER ACCEPTS TYPES I, II, & III AND BOTTOM HEADER ACCEPTS TYPES I & II, - OF PCMCIA STANDARD MEMORY CARDS.
- MECHANICAL SPECIFICATION:
 - DURABILITY
 - OFFICE ENVIRONMENT: 10000 CYCLES MINIMUM
 - HARSH ENVIRONMENT: 5000 CYCLES
 - CONTACT RETENTION FORCE: 1 kg MINIMUM
- ELECTRICAL SPECIFICATION:
 - CONTACT RESISTANCE: 40 MILLI OHMS MAX.
 - DIELECTRIC WITHSTANDING VOLTAGE: 500 Vrms FOR 1 min.
 - INSULATION RESISTANCE: 1000 MEGA OHMS MIN.
 - CURRENT CAPACITY: 0.5 AMPS PER PIN.
- ENVIRONMENTAL SPECIFICATIONS:
 - STORAGE ENVIRONMENT: -40°C TO +70°C, 95% MAX. RELATIVE HUMIDITY (NON CONDENSING)
 - OPERATION TEMPERATURE: -20°C TO +60°C, 95% MAX. RELATIVE HUMIDITY (NON CONDENSING)
 - THERMAL SHOCK: 6 CYCLES (1 CYCLE PER HOUR) WITH CONNECTOR ENGAGED WITH EXTREMES OF -55°C TO +70°C.

DIM "A"	POSITION No.
5	1, 17, 34, 35, 51, 68
3.5	36, 67
4.25	THE OTHERS

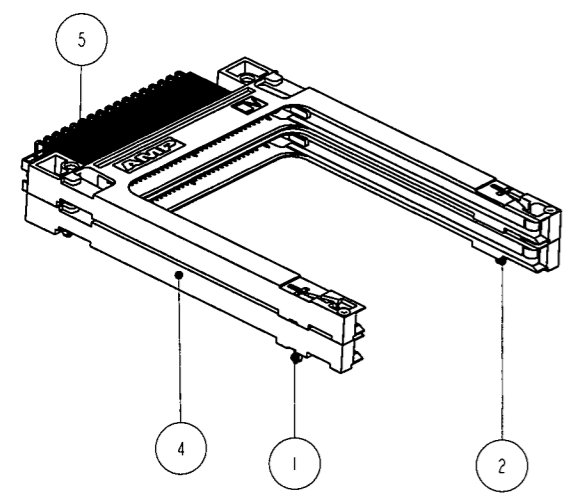
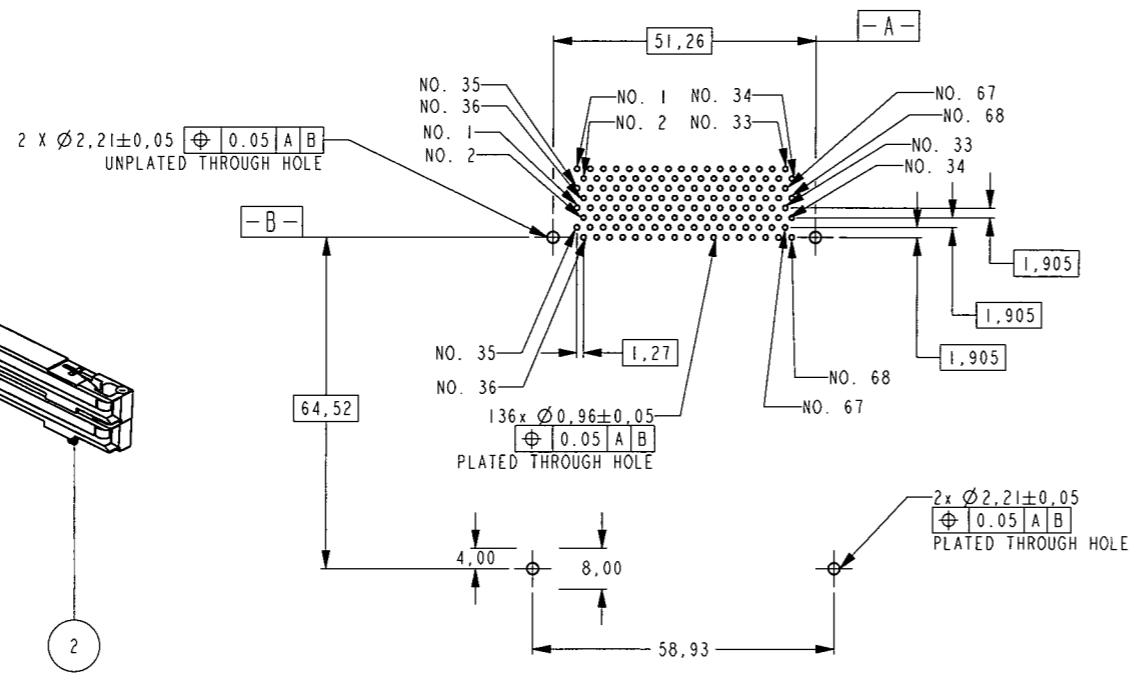
- PLATING OF CONTACT: Ni: 1.5µm MIN. (OVERALL)
Au: 0.03µm MIN. (CARD SIDE)
TIN: 2µm MIN. (PCB SIDE)
- ALL PARTS PACKAGED IN TRAYS UNLESS REQUESTED:
- MEASURING METHOD: MEASURE THESE DIMENSION, BY FIXING THE CONNECTOR TO THE STANDARD GAUGE.

CONNECTOR TO PRINTED CIRCUIT BOARD ASSEMBLY:

- PLACE THE CONNECTOR ON THE PRINTED CIRCUIT BOARD. THE SOLDER TAILS, RETENT CLIPS & PLASTIC LEGS SHOULD BE SEATED IN THE RESPECTIVE HOLES
- PUSH FIRMLY DOWN ON CENTER OF PLASTIC LEGS THEN SOLDER RETENTS. A SLIGHT SNAP IS FELT WHEN THE CONTACT IS FULLY SEATED.
- SOLDER PROCESS ENTIRE PRINTED CIRCUIT BOARD ASSEMBLY



RECOMMENDED PCB LAYOUT (THICKNESS: 1,60mm ±0,1mm)



OBSOLETE	VOLTAGE IDENTIFICATION	PARTNUMBER
	3.3V	5338948-2
	5V	5338948-1

ITEM NO	QTY	DESCRIPTION	MATERIAL	FINISH
8	1	ORGANISER	THERMOPLASTIC UL 94 VO	COLOR: BLACK
7	2	RIVET SHORT	BRASS	
6	2	RIVET LONG	BRASS	
5	136	CONTACT	COPPER ALLOY	
4	2	HOUSING	THERMOPLASTIC UL 94 VO	COLOR: BLACK
3	1	ORGANISER	THERMOPLASTIC UL 94 VO	COLOR: BLACK
2	1	GROUND CONTACT	PHOSPHOR BRONZE	TIN: 2µm MIN
1	1	GROUND CONTACT	PHOSPHOR BRONZE	TIN: 2µm MIN

THIS DRAWING IS A CONTROLLED DOCUMENT.

DIMENSIONS: mm

TOLERANCES UNLESS OTHERWISE SPECIFIED:

0 PLC	±0,3
1 PLC	±0,2
2 PLC	±0,1
3 PLC	±0,05
4 PLC	±
ANGLES	±
FINISH	±

MATERIAL: -

APVD: 28-DEC-05 J. Brocksfeeg

NAME: STACKED PC CARD HEADER FLUSH VERSION

PRODUCT SPEC: 108-19201

APPLICATION SPEC: -

SIZE: A2 CAGE CODE: 00779 DRAWING NO: C-5338948

RESTRICTED TO: -

CUSTOMER DRAWING

SCALE: 1:1 SHEET: 1 OF: 1 REV: D