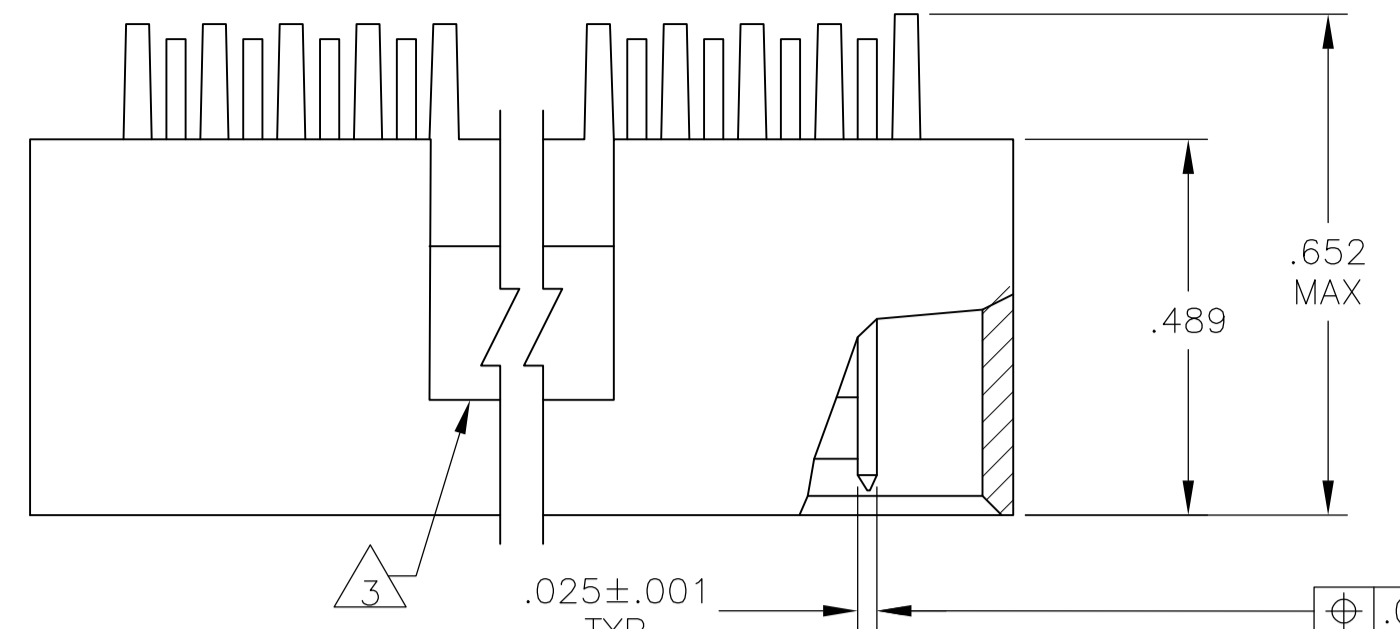
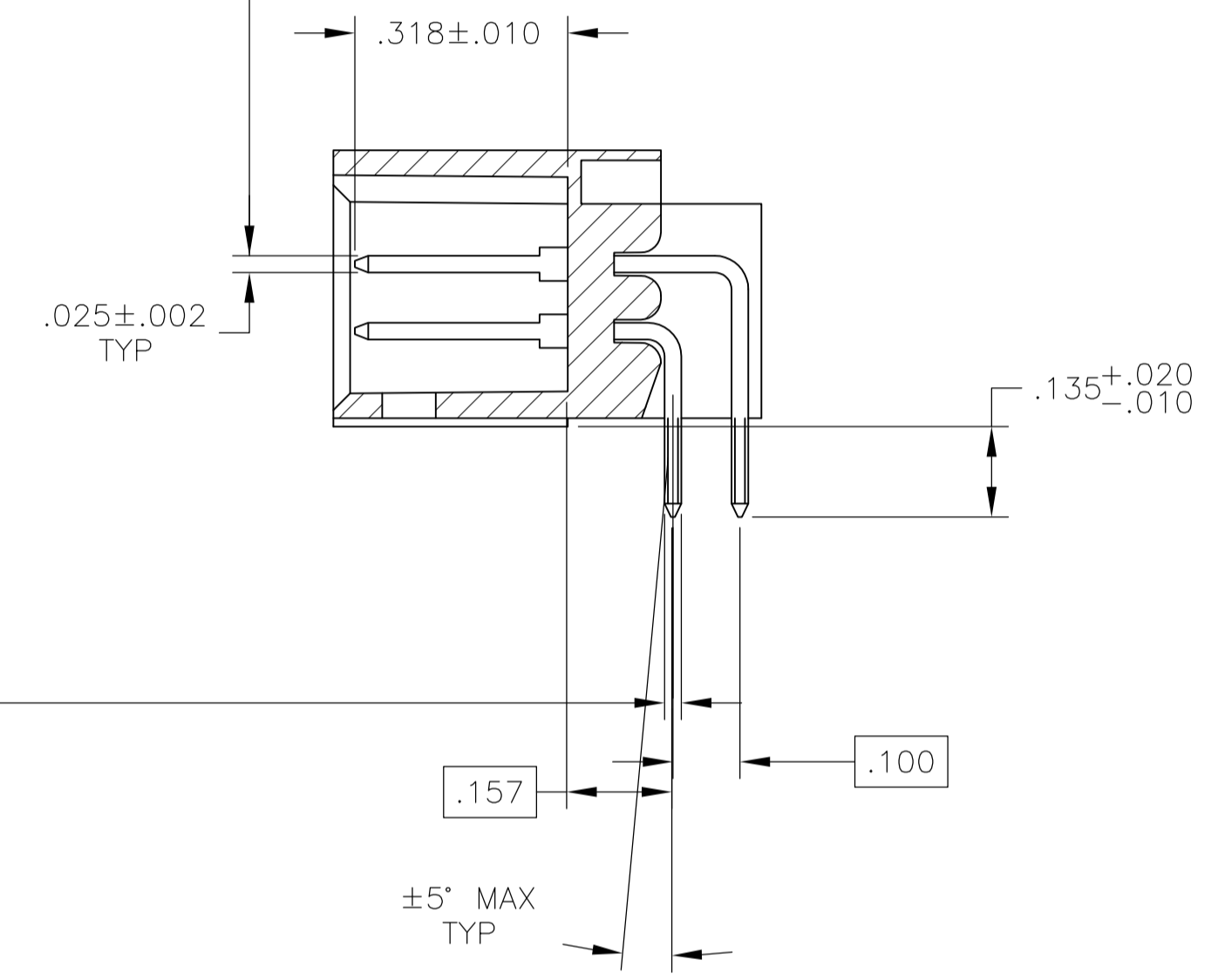
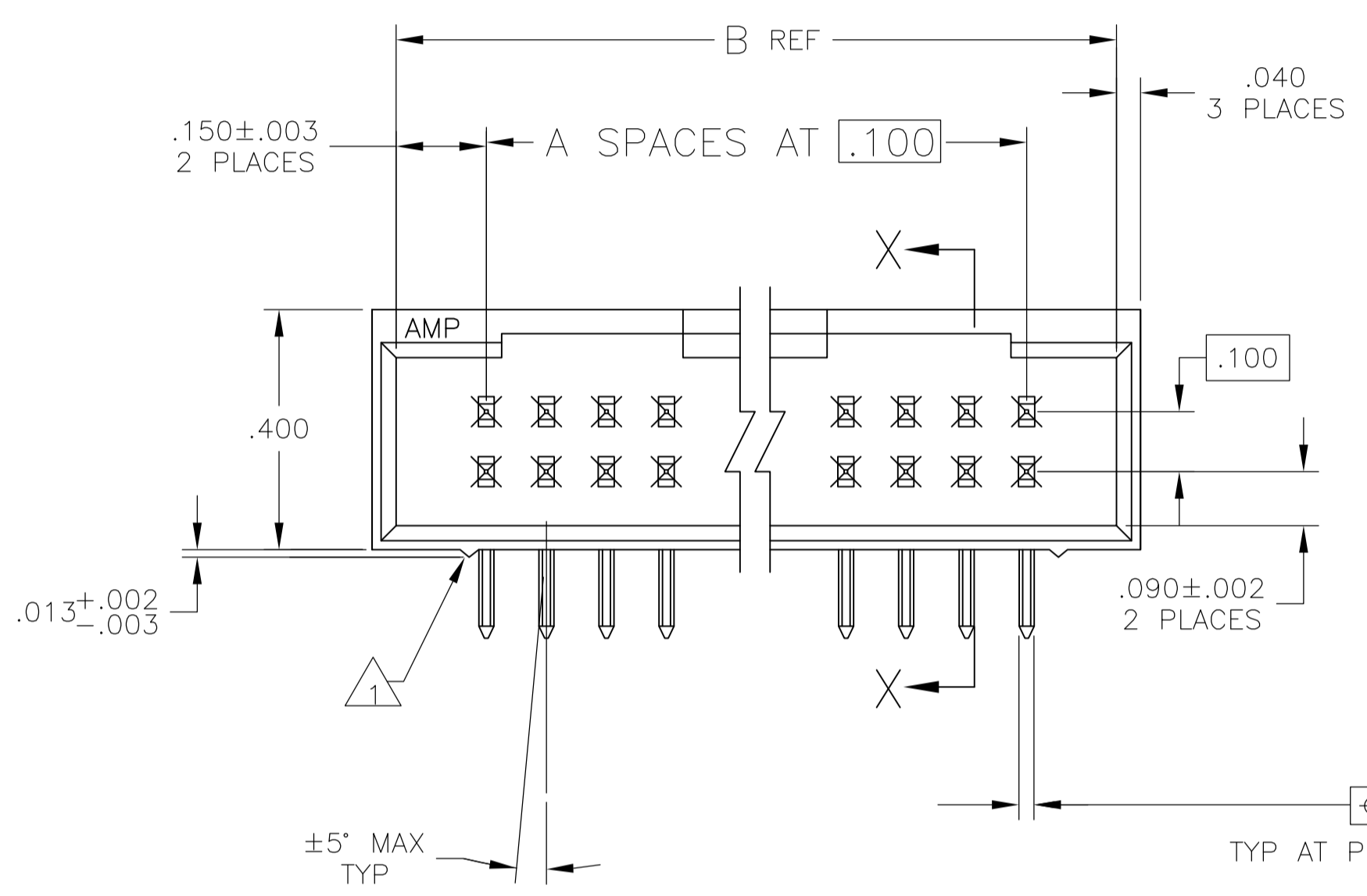


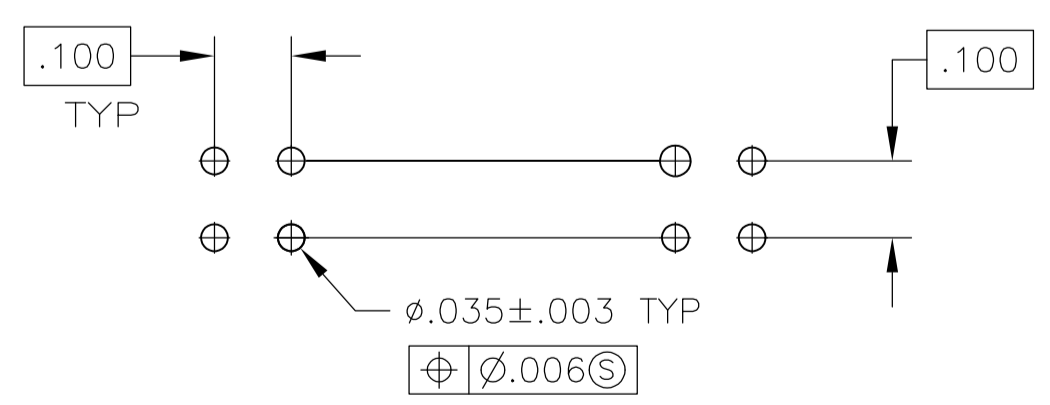
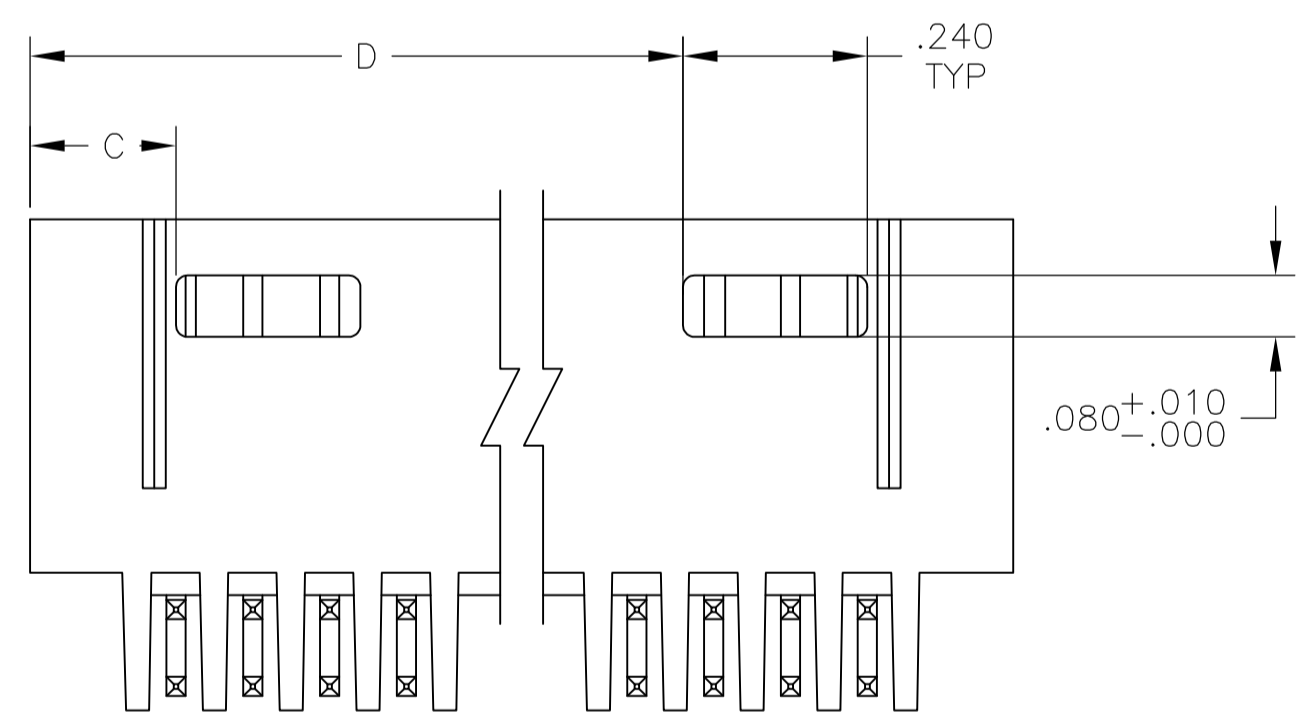
| REVISED | | REVISIONS | | | |
|---------|---------|---------------------------|---------|-----|------|
| REV | DATE | DESCRIPTION | DATE | BY | APPV |
| M | 26APR05 | EC 063C 0209 05 | 26APR05 | BSV | JLG |
| M1 | 25AUG09 | REVISED PER ECO-09-020774 | 25AUG09 | KK | AEG |



⊕ .015(M)
TYP AT POST TIPS



SECTION X-X



RECOMMENDED HOLE LAYOUT

- 1 STAND-OFFS:
8 THRU 18 POS (2) REQD LOCATED AS SHOWN OUTBOARD OF END CIRCUITS
20 THRU 38 POS (3) REQD LOCATED OUTBOARD OF END CIRCUITS PLUS (1) CENTERED
40 THRU 72 POS (4) REQD LOCATED OUTBOARD OF END CIRCUITS WITH (2) EVENLY SPACED
WITHIN THE REMAINING LENGTH
- 2 OBSOLETE PART NUMBER.
- 3 ACCESS SLOT.
- 4 CONTACTS: .000100-.000200 BRIGHT TIN-LEAD OVER .000050 NICKEL
- 5 CONTACTS: .000100-.000200 MATTE TIN OVER .000050 NICKEL
- 6 OBSOLETE PARTS: OBSOLETE CIS STREAMLINING PER D.RENAUD/D.SINISI

| REV | DATE | DESCRIPTION | DATE | BY | APPV | | | |
|-----|------|-------------|-------|------|-------|----|----|-----------|
| 6 | | OBSOLETE | 3.490 | .190 | 3.800 | 35 | 72 | 8-87577-3 |
| 6 | | OBSOLETE | 3.390 | .190 | 3.700 | 34 | 70 | 8-87577-2 |
| 6 | | OBSOLETE | 3.290 | .190 | 3.600 | 33 | 68 | 8-87577-1 |
| 6 | | OBSOLETE | 3.190 | .190 | 3.500 | 32 | 66 | 8-87577-0 |
| 6 | | OBSOLETE | 3.090 | .190 | 3.400 | 31 | 64 | 7-87577-9 |
| 6 | | OBSOLETE | 2.990 | .190 | 3.300 | 30 | 62 | 7-87577-8 |
| 6 | | OBSOLETE | 2.890 | .190 | 3.200 | 29 | 60 | 7-87577-7 |
| 6 | | OBSOLETE | 2.790 | .190 | 3.100 | 28 | 58 | 7-87577-6 |
| 6 | | OBSOLETE | 2.690 | .190 | 3.000 | 27 | 56 | 7-87577-5 |
| 6 | | OBSOLETE | 2.590 | .190 | 2.900 | 26 | 54 | 7-87577-4 |
| 6 | | OBSOLETE | 2.490 | .190 | 2.800 | 25 | 52 | 7-87577-3 |
| 6 | | OBSOLETE | 2.390 | .190 | 2.700 | 24 | 50 | 7-87577-2 |
| 6 | | OBSOLETE | 2.290 | .190 | 2.600 | 23 | 48 | 7-87577-1 |
| 6 | | OBSOLETE | 2.190 | .190 | 2.500 | 22 | 46 | 7-87577-0 |
| 6 | | OBSOLETE | 2.090 | .190 | 2.400 | 21 | 44 | 6-87577-9 |
| 6 | | OBSOLETE | 1.990 | .190 | 2.300 | 20 | 42 | 6-87577-8 |
| 6 | | OBSOLETE | 1.890 | .190 | 2.200 | 19 | 40 | 6-87577-7 |
| 6 | | OBSOLETE | 1.790 | .190 | 2.100 | 18 | 38 | 6-87577-6 |
| 6 | | OBSOLETE | 1.690 | .190 | 2.000 | 17 | 36 | 6-87577-5 |
| 6 | | OBSOLETE | 1.590 | .190 | 1.900 | 16 | 34 | 6-87577-4 |
| 6 | | OBSOLETE | 1.490 | .190 | 1.800 | 15 | 32 | 6-87577-3 |
| 6 | | OBSOLETE | 1.390 | .190 | 1.700 | 14 | 30 | 6-87577-2 |
| 6 | | OBSOLETE | 1.290 | .190 | 1.600 | 13 | 28 | 6-87577-1 |
| 6 | | OBSOLETE | 1.190 | .190 | 1.500 | 12 | 26 | 6-87577-0 |
| 6 | | OBSOLETE | 1.090 | .190 | 1.400 | 11 | 24 | 5-87577-9 |
| 6 | | OBSOLETE | .990 | .190 | 1.300 | 10 | 22 | 5-87577-8 |
| 6 | | OBSOLETE | .890 | .190 | 1.200 | 9 | 20 | 5-87577-7 |
| 6 | | OBSOLETE | — | .490 | 1.100 | 8 | 18 | 5-87577-6 |
| 6 | | OBSOLETE | — | .390 | 1.000 | 7 | 16 | 5-87577-5 |
| 6 | | OBSOLETE | — | .290 | .900 | 6 | 14 | 5-87577-4 |
| 6 | | OBSOLETE | — | .290 | .800 | 5 | 12 | 5-87577-3 |
| 6 | | OBSOLETE | — | .290 | .700 | 4 | 10 | 5-87577-2 |
| 6 | | OBSOLETE | — | .190 | .600 | 3 | 8 | 5-87577-1 |
| 6 | | OBSOLETE | 3.490 | .190 | 3.800 | 35 | 72 | 3-87577-3 |
| 6 | | OBSOLETE | 3.390 | .190 | 3.700 | 34 | 70 | 3-87577-2 |
| 6 | | OBSOLETE | 3.290 | .190 | 3.600 | 33 | 68 | 3-87577-1 |
| 6 | | OBSOLETE | 3.190 | .190 | 3.500 | 32 | 66 | 3-87577-0 |
| 6 | | OBSOLETE | 3.090 | .190 | 3.400 | 31 | 64 | 2-87577-9 |
| 6 | | OBSOLETE | 2.990 | .190 | 3.300 | 30 | 62 | 2-87577-8 |
| 6 | | OBSOLETE | 2.890 | .190 | 3.200 | 29 | 60 | 2-87577-7 |
| 6 | | OBSOLETE | 2.790 | .190 | 3.100 | 28 | 58 | 2-87577-6 |
| 6 | | OBSOLETE | 2.690 | .190 | 3.000 | 27 | 56 | 2-87577-5 |
| 6 | | OBSOLETE | 2.590 | .190 | 2.900 | 26 | 54 | 2-87577-4 |
| 6 | | OBSOLETE | 2.490 | .190 | 2.800 | 25 | 52 | 2-87577-3 |
| 6 | | OBSOLETE | 2.390 | .190 | 2.700 | 24 | 50 | 2-87577-2 |
| 6 | | OBSOLETE | 2.290 | .190 | 2.600 | 23 | 48 | 2-87577-1 |
| 6 | | OBSOLETE | 2.190 | .190 | 2.500 | 22 | 46 | 2-87577-0 |
| 6 | | OBSOLETE | 2.090 | .190 | 2.400 | 21 | 44 | 1-87577-9 |
| 6 | | OBSOLETE | 1.990 | .190 | 2.300 | 20 | 42 | 1-87577-8 |
| 6 | | OBSOLETE | 1.890 | .190 | 2.200 | 19 | 40 | 1-87577-7 |
| 6 | | OBSOLETE | 1.790 | .190 | 2.100 | 18 | 38 | 1-87577-6 |
| 6 | | OBSOLETE | 1.690 | .190 | 2.000 | 17 | 36 | 1-87577-5 |
| 6 | | OBSOLETE | 1.590 | .190 | 1.900 | 16 | 34 | 1-87577-4 |
| 6 | | OBSOLETE | 1.490 | .190 | 1.800 | 15 | 32 | 1-87577-3 |
| 6 | | OBSOLETE | 1.390 | .190 | 1.700 | 14 | 30 | 1-87577-2 |
| 6 | | OBSOLETE | 1.290 | .190 | 1.600 | 13 | 28 | 1-87577-1 |
| 6 | | OBSOLETE | 1.190 | .190 | 1.500 | 12 | 26 | 1-87577-0 |
| 6 | | OBSOLETE | 1.090 | .190 | 1.400 | 11 | 24 | 87577-9 |
| 6 | | OBSOLETE | .990 | .190 | 1.300 | 10 | 22 | 87577-8 |
| 6 | | OBSOLETE | .890 | .190 | 1.200 | 9 | 20 | 87577-7 |
| 6 | | OBSOLETE | — | .490 | 1.100 | 8 | 18 | 87577-6 |
| 6 | | OBSOLETE | — | .390 | 1.000 | 7 | 16 | 87577-5 |
| 6 | | OBSOLETE | — | .390 | .900 | 6 | 14 | 87577-4 |
| 6 | | OBSOLETE | — | .290 | .800 | 5 | 12 | 87577-3 |
| 6 | | OBSOLETE | — | .290 | .700 | 4 | 10 | 87577-2 |
| 6 | | OBSOLETE | — | .190 | .600 | 3 | 8 | 87577-1 |

| PLATING | D | C | B | A | NO OF POSN | ASSEMBLY PART NUMBER |
|---------|---|---|---|---|------------|----------------------|
| | | | | | | |

THIS DRAWING IS A CONTROLLED DOCUMENT. DIN J GALLUCCI 11-10-89
CHK R FLICKER 25-10-89

Tyco Electronics
Tyco Electronics Corporation
Harrisburg, Pa 17105-3608

| | | | |
|--|--|------------------------------|---------------|
| DIMENSIONS: INCHES | TOLERANCES UNLESS OTHERWISE SPECIFIED: | NAME | PRODUCT SPEC |
| 0. PLC ± .005 | 1. PLC ± .005 | HDR ASSY, MOD II, 100X.100 q | — |
| 2. PLC ± .005 | 3. PLC ± .005 | APPLICATION SPEC | — |
| 4. PLC ± .005 | ANGLES ± .005 | SIZE | — |
| MATERIAL: HOUSING: PBT FRAME: NYLON THERMOPLASTIC COLOR: BLACK CONTACTS: PHOS BRONZE | FINISH: SEE TABLE | WEIGHT | RESTRICTED TO |
| | | A1 00779 | — |

CUSTOMER DRAWING SCALE 4:1 SHEET 1 OF 1 REV M1