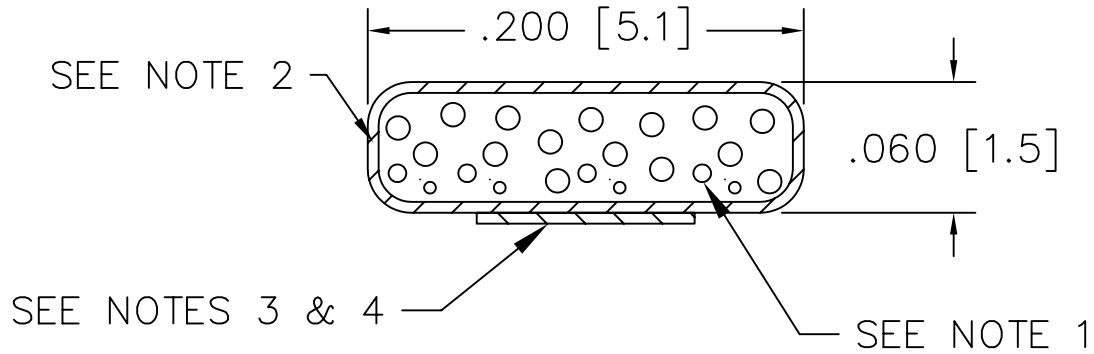


CONFIDENTIAL & PROPRIETARY

THIS INFORMATION IS CONFIDENTIAL AND PROPRIETARY TO LAIRD TECHNOLOGIES. IT MAY NOT BE DISCLOSED TO ANYONE, OTHER THAN LAIRD TECHNOLOGIES PERSONNEL, WITHOUT WRITTEN AUTHORIZATION FROM LAIRD TECHNOLOGIES.



PROFILE DETAIL

NOTES:

1. FOAM: POLYURETHANE
2. FABRIC: NICKEL PET-TAF FR Ecogreen
3. TAPE: .100" TAPE HI-TEMP
4. LINER: NO EXTENDED RELEASE LINER
5. FABRIC SEAM LOCATION MAY VARY.
6. THIS PART IS RoHS COMPLIANT

REVISIONS: 1. TAPE WAS .075" - P08-006 - 1/21/08 FJG	TITLE:		DRAWN	DATE	SCALE:	DIMENSIONS ARE IN INCHES. UNLESS OTHERWISE SPECIFIED, TOLERANCES ARE AS FOLLOWS: DECIMALS LENGTH .XX ± .03 0" - 6" ± .030" .XXX ± .020 6" - 11" ± .050" . 11" - 48" ± .100" ANGLES 48" - 70" ± .187" ± 1/2" 70" - 144" ± .250"
	SHIELDING GASKET		GIBILTERRA	10/02/07	1/1	
	Dwg. or Part No.	REV.	CHECKED BY:	DATE		
	4056-PA-51H	1	FJG	10/02/07		
		RELEASED BY:	DATE			
		FJG	10/02/07			

