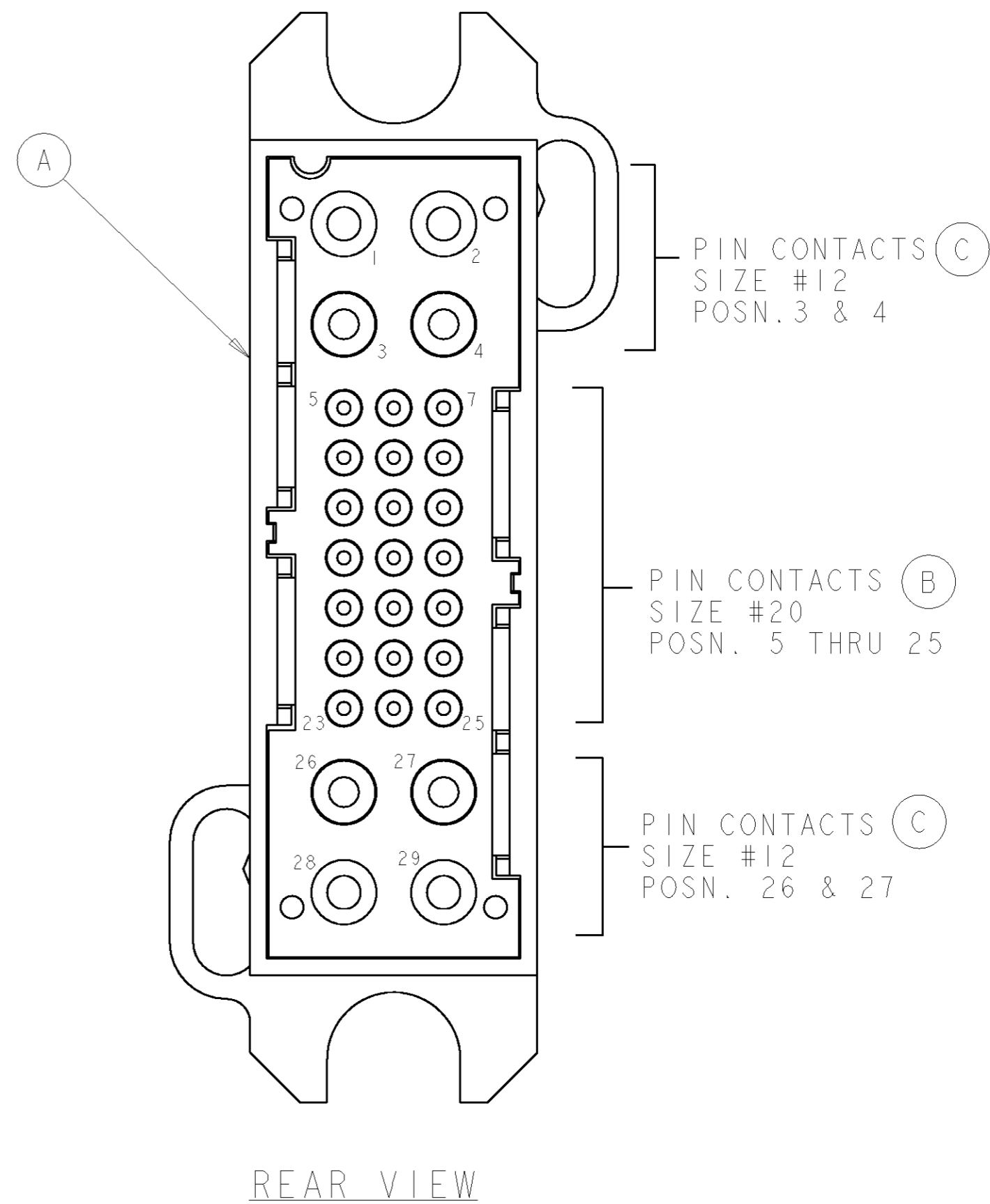
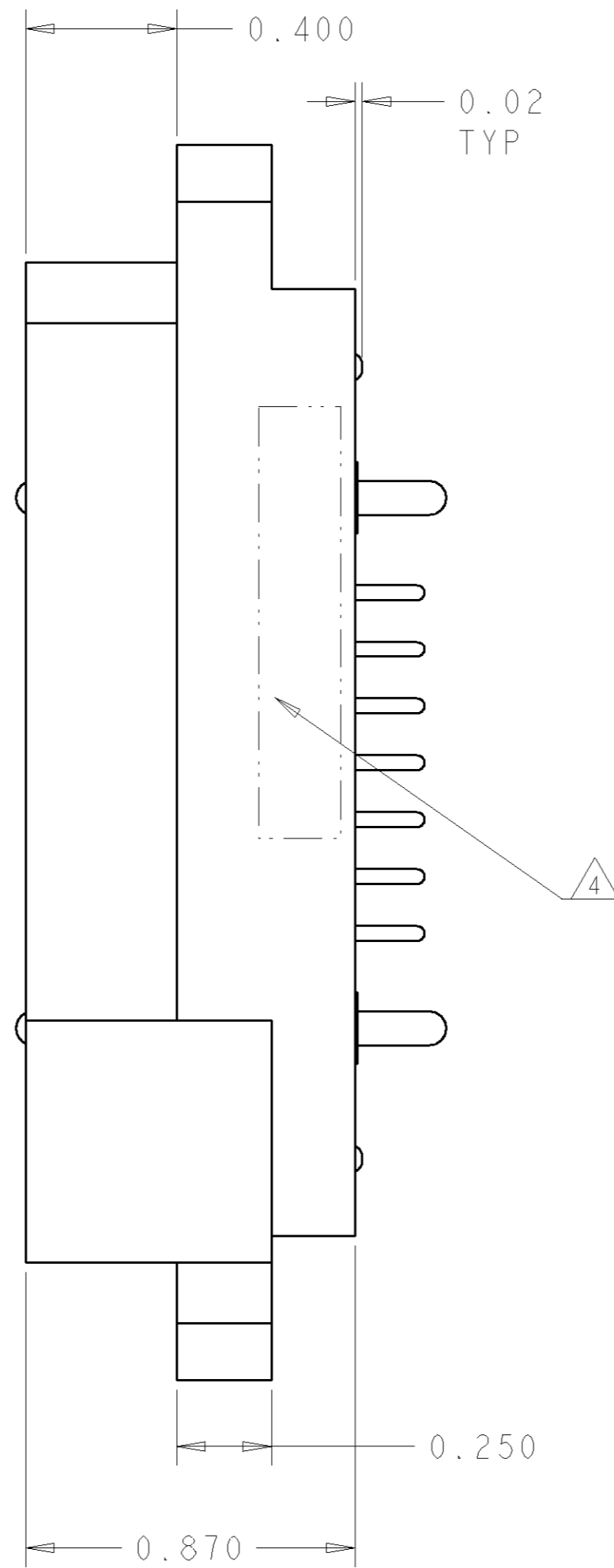
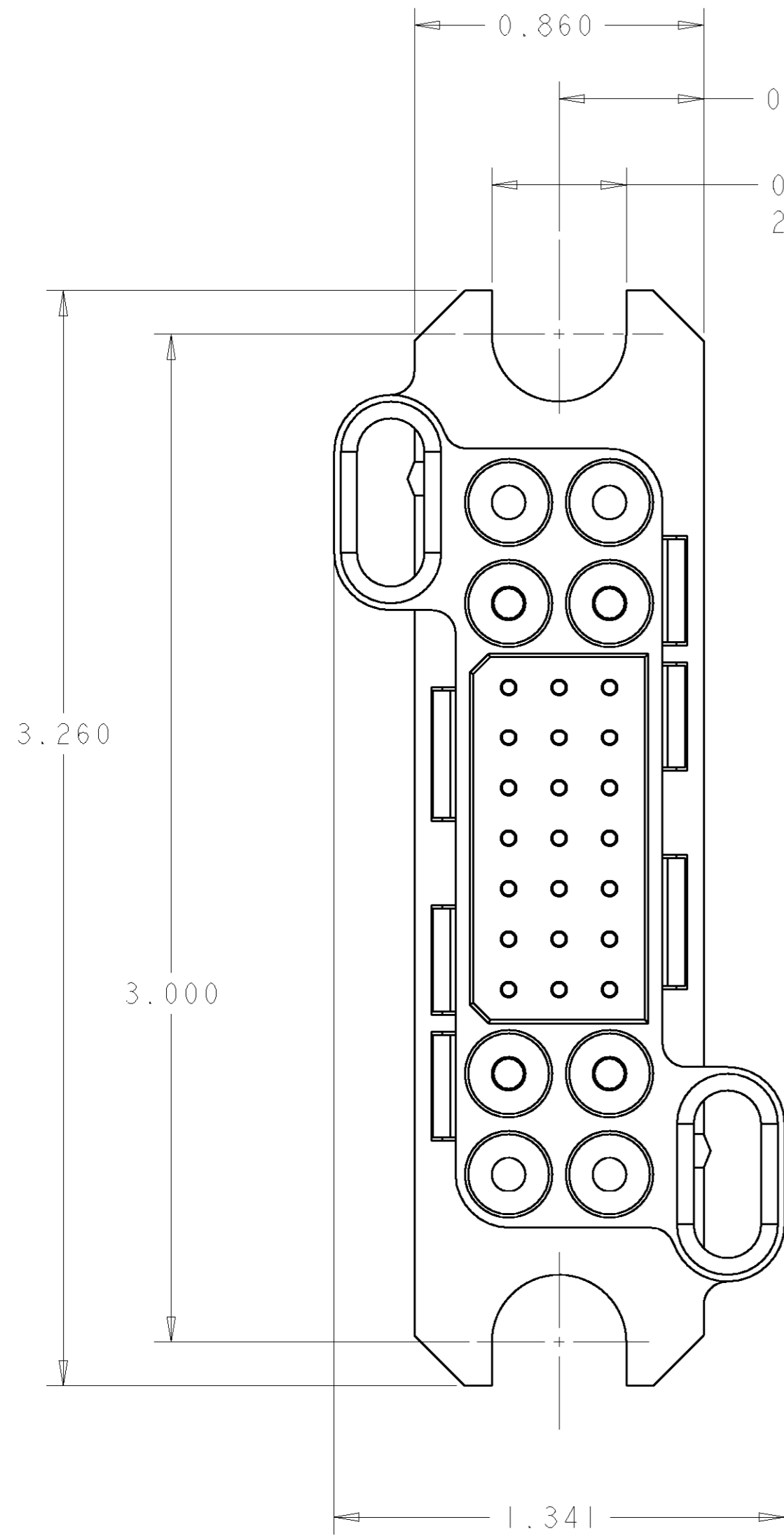


THIS DRAWING IS UNPUBLISHED. RELEASED FOR PUBLICATION 20  
 © COPYRIGHT 20 BY TYCO ELECTRONICS CORPORATION. ALL RIGHTS RESERVED.

LOC	DIST	REVISIONS					
GP	00	P	LTR	DESCRIPTION	DATE	DWN	APVD
			A	NEW RELEASE	19APR2007	RG	DO



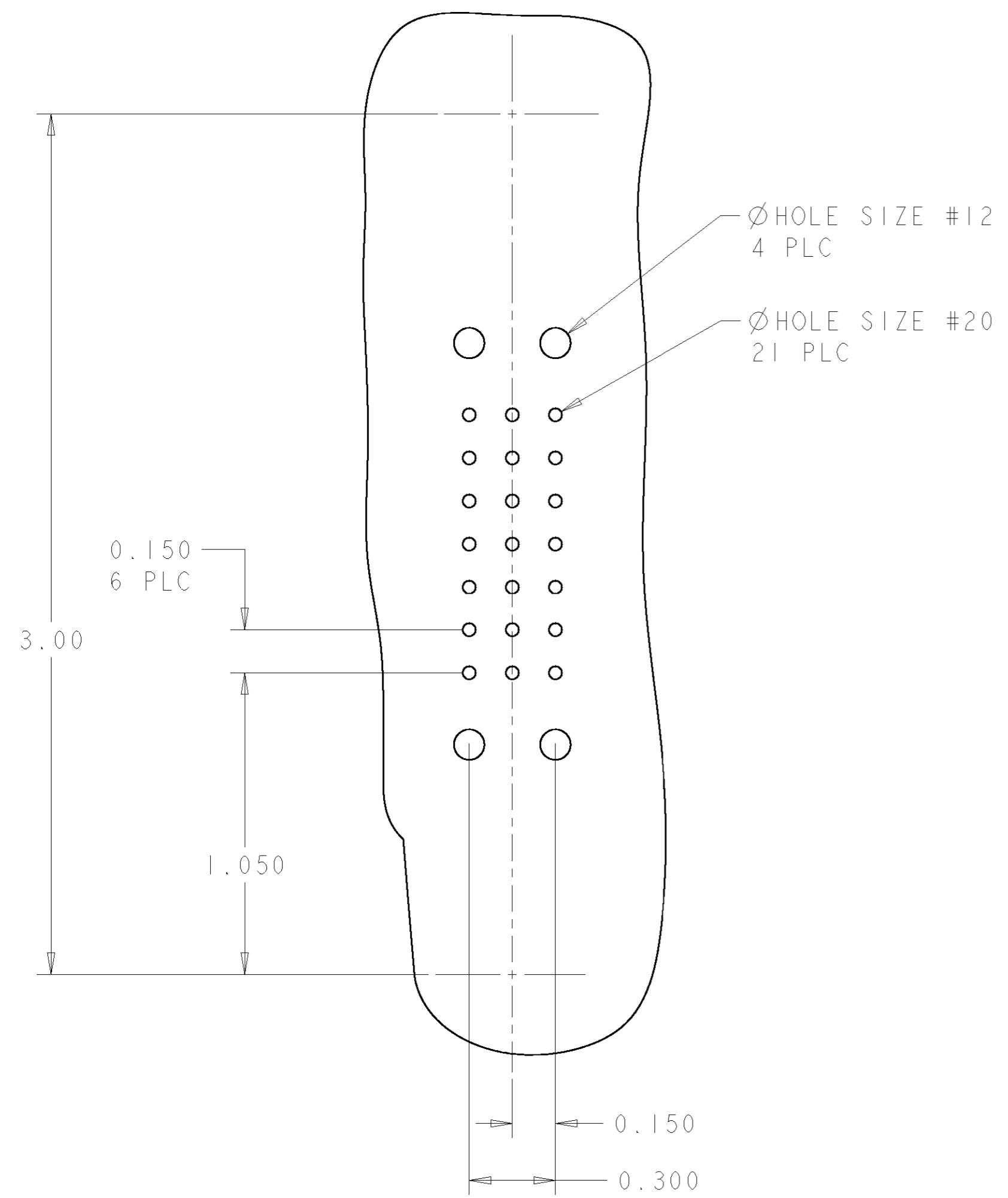
**ELCON LOWER DRAWER**

AS SHOWN	1926503-1
DESCRIPTION	PART NUMBER

<small>THIS DRAWING IS A CONTROLLED DOCUMENT FOR TYCO ELECTRONICS CORPORATION          IT IS SUBJECT TO CHANGE AND THE CONTROLLING ENGINEERING ORGANIZATION          SHOULD BE CONTACTED FOR THE LATEST REVISION.</small>		DWN R. GRZYBOWSKI 19APR07 CHK D. ORRIS 19APR07 APVD S. FLICKINGER 19APR07	<b>tyco</b> Tyco Electronics <b>Electronics</b> Harrisburg, PA 17105-3608
DIMENSIONS: INCHES 	TOLERANCES UNLESS OTHERWISE SPECIFIED: 0 PLC ± 1 PLC ± 2 PLC ±.02 3 PLC ±.010 4 PLC ± ANGLES ±.5 FINISH	PRODUCT SPEC - APPLICATION SPEC - WEIGHT - CUSTOMER DRAWING	NAME <b>CONNECTOR ASSEMBLY          PIN          LOWER DRAWER</b> SIZE CAGE CODE DRAWING NO RESTRICTED TO A200779G-1926503 -
		SCALE 3:1	SHEET 1 OF 2 REV A

THIS DRAWING IS UNPUBLISHED. RELEASED FOR PUBLICATION 20  
 © COPYRIGHT 20 BY TYCO ELECTRONICS CORPORATION. ALL RIGHTS RESERVED.

LOC	DIST	REVISIONS					
GP	00	P	LTR	DESCRIPTION	DATE	DWN	APVD
		-		SEE SHEET 1	-	-	-



- PART NUMBER CHANGES AND OR DESIGN CHANGES AFFECTING THE INTERCHANGEABILITY REQUIRE PRIOR TYCO APPROVAL AND AUTHORIZATION BY REVISION TO THIS DRAWING.
- MATERIAL:  
 INSULATOR: THERMOPLASTIC, GLASS REINFORCED, UL 94V-0  
 FLAMMABILITY RATED, COLOR: BLACK  
 CONTACT SIZE #20: COPPER ALLOY  
 CONTACT SIZE #12: COPPER ALLOY  
 RETENTION CLIP: BERYLLIUM COPPER OR STAINLESS STEEL
- FINISH:  
 CONTACTS SIZE #20 BODY : GOLD .000030 MIN THK.  
 OVER NICKEL .00040 MIN THK.  
 CONTACTS SIZE #12 BODY : SILVER .000200 MIN THK.  
 OVER NICKEL .00040 MIN THK.

△ ITEMS PROVIDED TO THIS SPECIFICATION TO BE PERMANENTLY IDENTIFIED PER THE FOLLOWING IDENTIFIER:

YEAR    WEEK   

TYCO PART NUMBER XXXXXXXX-X      DATE CODE (e.g. 0216) XXXX

△ SOLDER TAIL CONTACTS (ITEMS B & C) ARE INSERTABLE/NON-REMOVABLE.

PRINTED CIRCUIT BOARD LAYOUT  
 VIEW FROM CONNECTOR MOUNTING SIDE

HOLE SIZE #12  
 DRILLED HOLE:  $\varnothing .1065 \pm .0005$   
 COPPER PLATE: .0010 MIN  
 TIN PLATE: .00030 MIN

HOLE SIZE #20  
 DRILLED HOLE:  $\varnothing .0453 \pm .0005$   
 COPPER PLATE: .0010 MIN  
 TIN PLATE: .00030 MIN

**ELCON LOWER DRAWER**

△ 4	1766245-1	CONTACT, PIN, #12, SOLDER TAIL, STD	C
△ 21	1650283-1	CONTACT, PIN, #20, SOLDER TAIL, STD	B
1	1648203-2	HOUSING, PIN, FLOAT MOUNT	A
-1	PART NUMBER	DESCRIPTION	ITEM

<small>THIS DRAWING IS A CONTROLLED DOCUMENT FOR TYCO ELECTRONICS CORPORATION. IT IS SUBJECT TO CHANGE AND THE CONTROLLING ENGINEERING ORGANIZATION SHOULD BE CONTACTED FOR THE LATEST REVISION.</small>		DWN R. GRZYBOWSKI 19APR07 CHK D. ORRIS 19APR07 APVD S. FLICKINGER 19APR07	<b>tyco</b> Tyco Electronics Harrisburg, PA 17105-3608
DIMENSIONS: INCHES 	TOLERANCES UNLESS OTHERWISE SPECIFIED: 0 PLC ± 1 PLC ± 2 PLC ±.02 3 PLC ±.010 4 PLC ± ANGLES ±.5 FINISH	NAME: CONNECTOR ASSEMBLY PIN LOWER DRAWER PRODUCT SPEC: - APPLICATION SPEC: - WEIGHT: -	SIZE: A2 CAGE CODE: 00779 DRAWING NO: 1926503 RESTRICTED TO: -
MATERIAL: -		CUSTOMER DRAWING	
		SCALE: 3:1	SHEET 2 OF 2 REV A