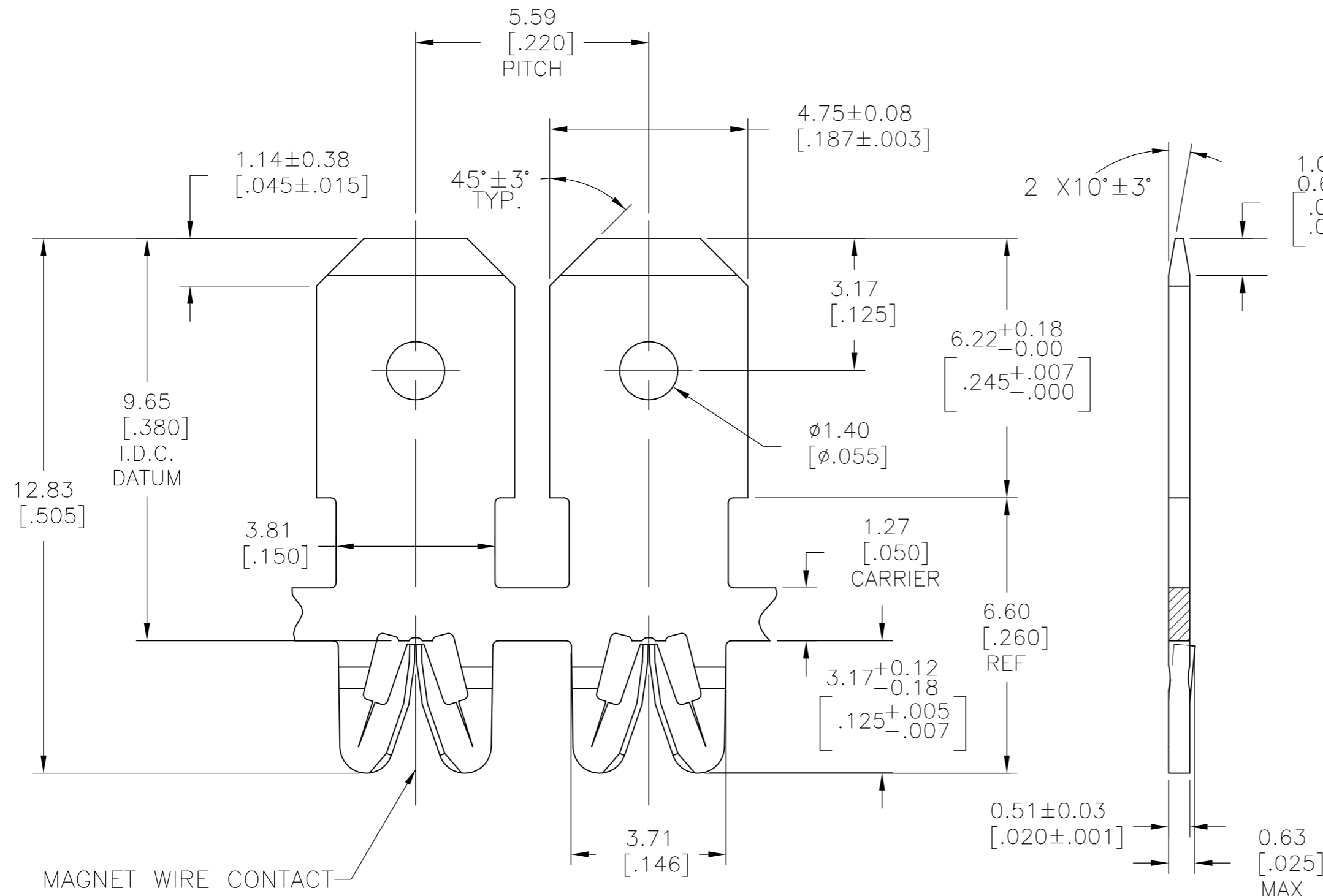
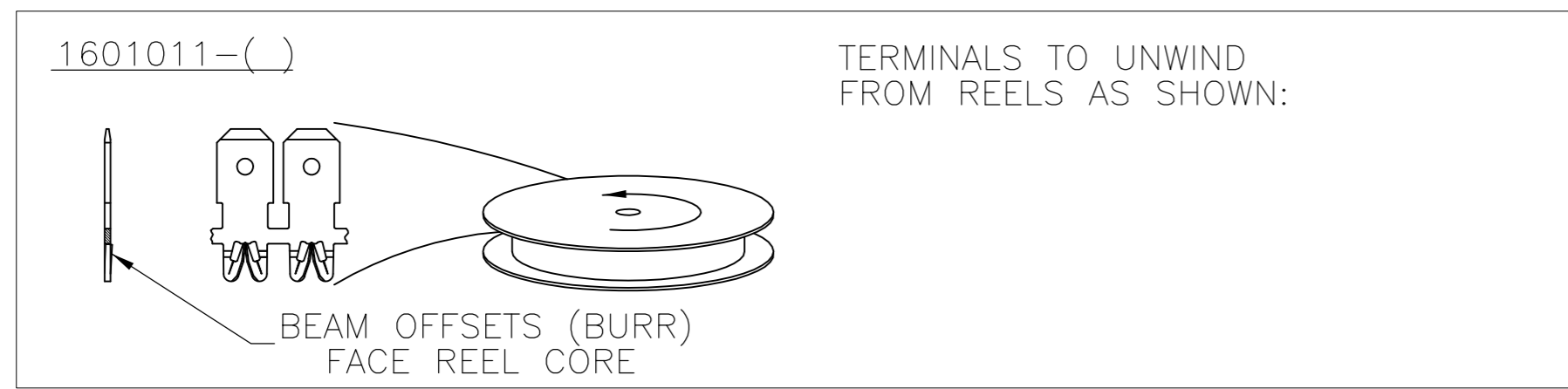
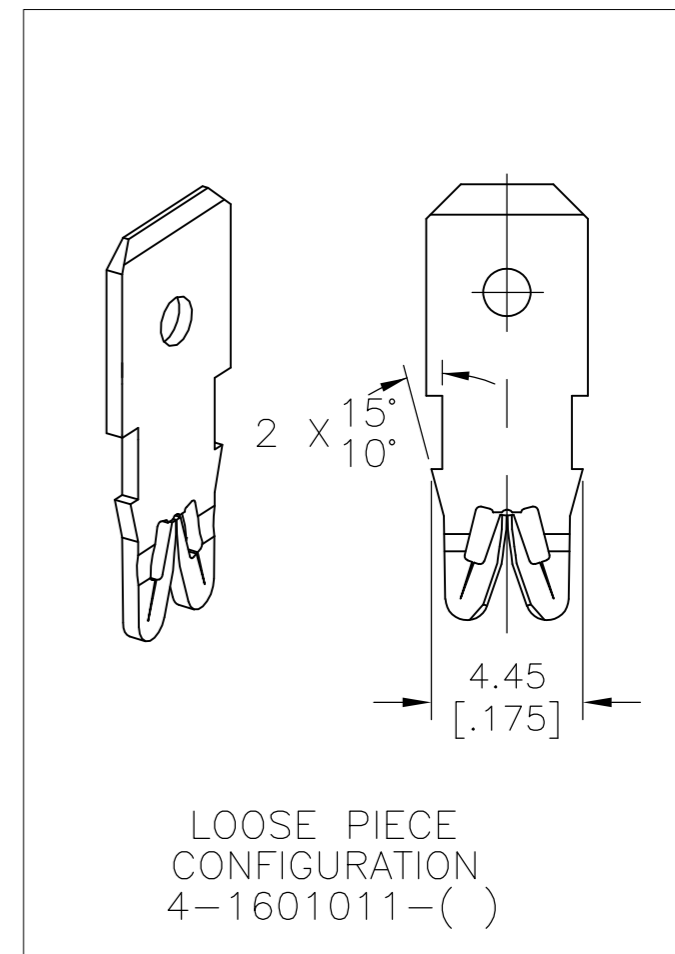


THIS DRAWING IS UNPUBLISHED. RELEASED FOR PUBLICATION  
 © COPYRIGHT BY TYCO ELECTRONICS CORPORATION. ALL INTERNATIONAL RIGHTS RESERVED.

LOC	DIST	REVISIONS			
P	LTR	DESCRIPTION	DATE	DWN	APVD
AF	50	C1	REVISED PER ECR-10-013120	24JUN10	HMR GJ



- SPECIFICATIONS:  
MAGNET WIRE #18- #34 AWG. 1.02[.040]-0.16[.006] DIA COPPER, OTHER SIZES MAY BE ACCOMMODATED, CONSULT TYCO ELECTRONICS FOR APPROVAL.
- POCKET RECOMMENDATION: # 1601427
- TERMINAL APPLICATION TO COMPLY WITH TYCO ELECTRONICS SPECIFICATION 114-13166 FIGURE 15.
- TWO(2) TERMINALS SHOWN FOR ILLUSTRATION PURPOSES ONLY.



-	-	-
-	-	-
-	-	-
UNPLATED	031-023-000	4-1601011-1
POST PLATED TIN OVER NICKEL	-	1601011-2
UNPLATED	131-023-000	1601011-1
FINISH	REFERENCE PART NUMBER	TE PART NUMBER
THIS DRAWING IS A CONTROLLED DOCUMENT.		
DWN J.WELLER 11JAN2002		Tyco Electronics Corporation Harrisburg, PA 17105-3608
CHK M.FEHER 11JAN2002		
APVD K.RANDOLPH 11JAN2002		
PRODUCT SPEC 108-2085		
APPLICATION SPEC		NAME STANDARD RANGE WIRE TO 4.75 X 0.51 BARB TAB SIAMEZE TERMINAL
DIMENSIONS: mm [INCHES]	TOLERANCES UNLESS OTHERWISE SPECIFIED:	SIZE A2
0 PLC ± -	1 PLC ± -	CAGE CODE 00779
2 PLC ± 0.13[.005]	3 PLC ± -	DRAWING NO C=1601011
4 PLC ± -	ANGLES ± 2°	RESTRICTED TO -
MATERIAL BRASS, SPRING HARD	FINISH SEE TABLE	WEIGHT -
CUSTOMER DRAWING		SCALE 9:1
		SHEET 1 OF 1
		REV C1