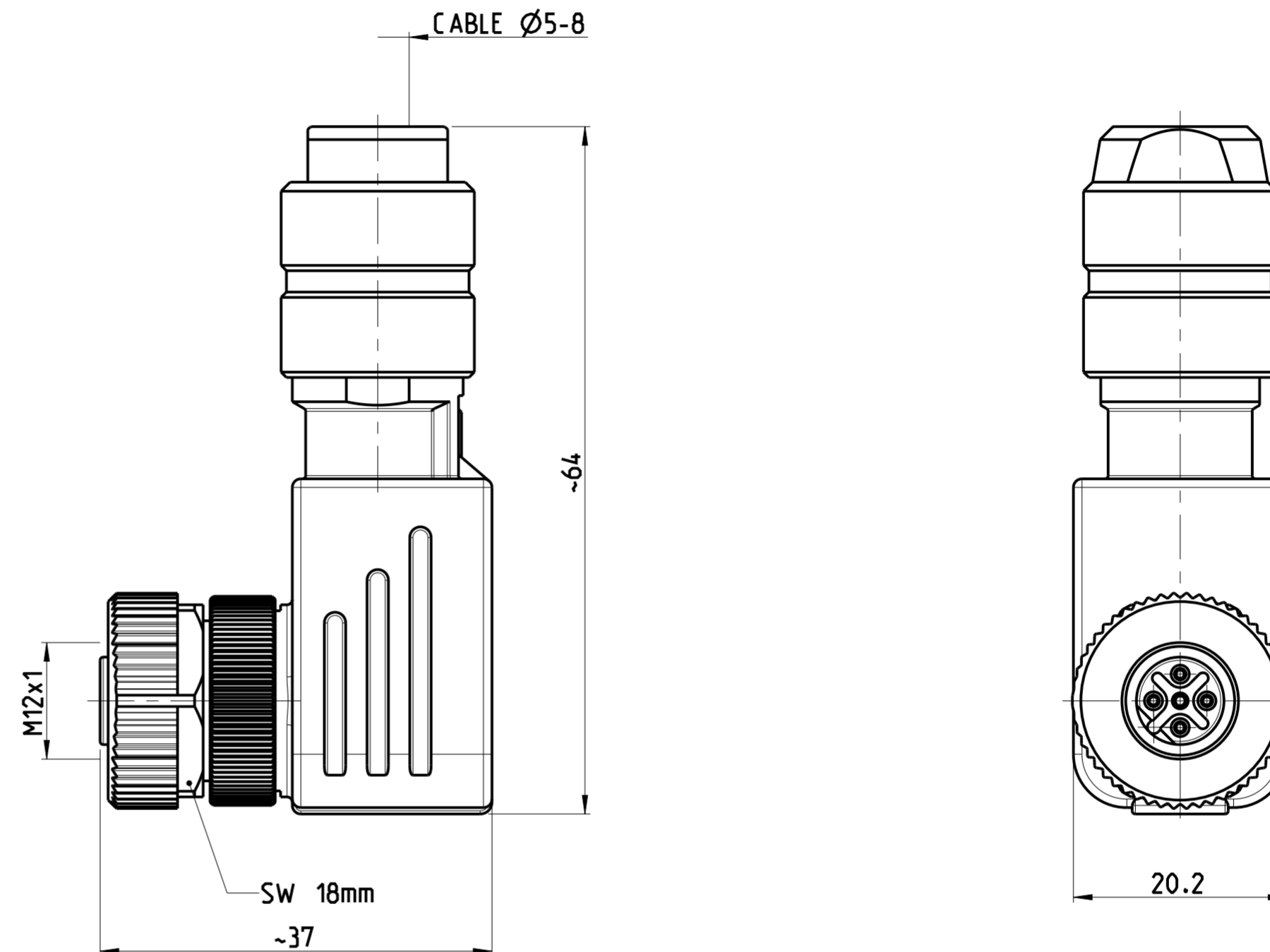
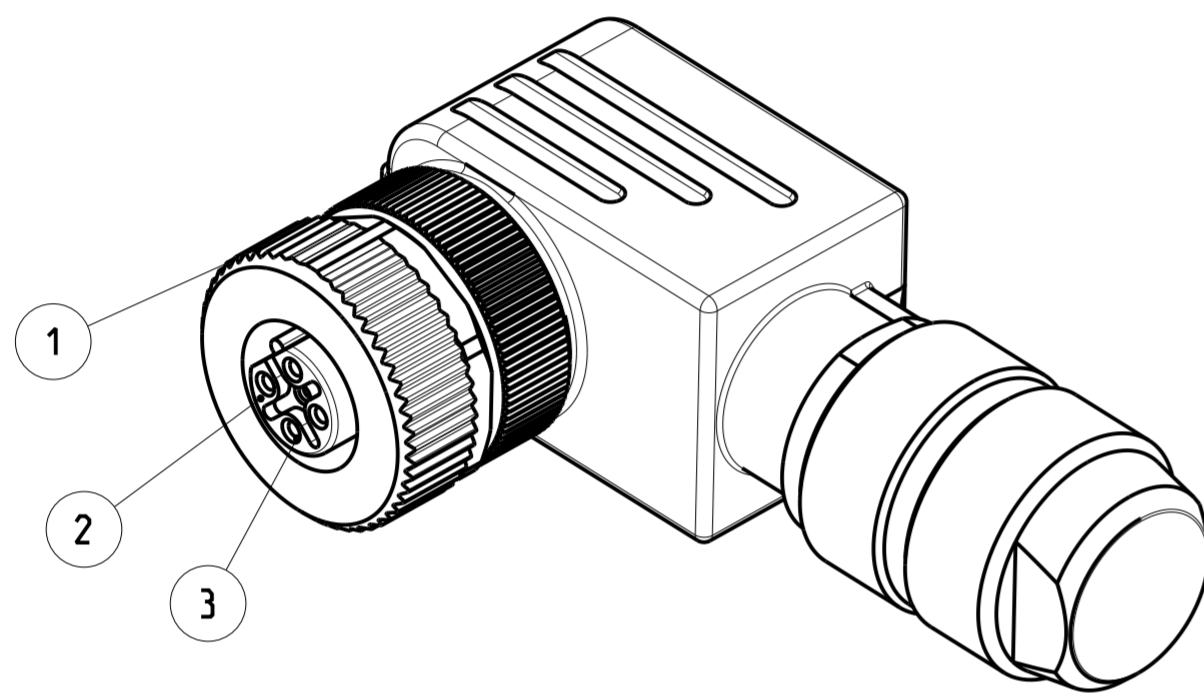


REVISIONS				
P	LYR	DESCRIPTION	DATE	APVD
A2		DESCRIPTION CORRECTED FROM SOLDER TO SCREW TERMINAL IN TITLE BLOCK	14NOV2014	CR JK

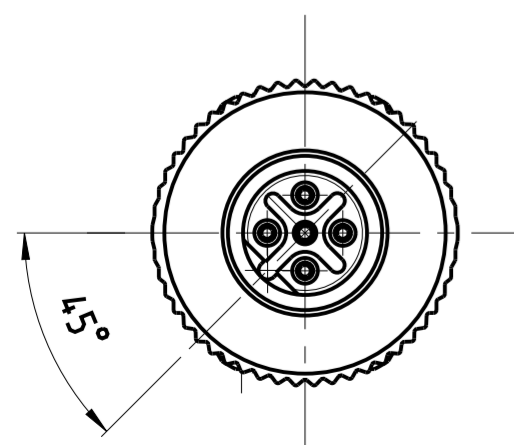
1 MATERIAL: ITEM NO. 1: HOUSING - ZINC DIECASTING, NICKEL PLATED
 ITEM NO. 2: CONTACT BODY - PA
 ITEM NO. 3: CONTACT - CuZn (brass)
 CONTACT FINISH - Au (gold)

- 2 ALL DIMENSIONS ARE FOR NOMINAL REFERENCE ONLY UNLESS OTHERWISE STATED
- 3 MEASUREMENT REFERENCE ONLY
- 4 PACKAGING: 1 PIECE IN A BAG



PIN ARRANGEMENT
 D-CODING
 3-2271133-2

TECHNICAL DATA	3-2271133-2
RATED VOLTAGE	250V
RATED IMPULSE VOLTAGE	2500V
POLLUTION DEGREE	3
OVERVOLTAGE CATEGORY	II
MATERIAL GROUP	III
RATED CURRENT	4A
VOLUME RESISTIVITY	≤ 3mΩ
DEGREE OF PROTECTION	IP67
UPPER TEMPERATURE	+85 °C
LOWER TEMPERATURE	-40 °C



18 / 0.75mm ²	⚠	4	3-2271133-2
WIRES AWG / mm ²	MATERIAL	NUMBER OF POLES	TE-PART-NO.

DIESE ZEICHNUNG IST EIN KONTROLLIERTES DOKUMENT. BEMASSUNGEN UND TOLERANZEN GEMAESS GPS (ISO STANDARDS).

THIS DRAWING IS A CONTROLLED DOCUMENT. DIMENSIONING AND TOLERANCING PER GPS (ISO STANDARDS).

DIMENSIONS: MASSE/MASSSTAB: (mm)	TOLERANCES UNLESS OTHERWISE SPECIFIED: ALLGEMEINTOLERANZEN
0 PLC ±	1 PLC ±
1 PLC ±	2 PLC ±
2 PLC ±	3 PLC ±
3 PLC ±	4 PLC ±
ANGLES/WINKEL	FINISH/OBERFLÄCHE/FARBE

MATERIAL: -

DWN YASHKUMAR 16MAY2014	CHK M.STRELOW 16MAY2014	APVD C.SCHREITLINGER 16MAY2014	NAME
<p>STE TE Connectivity</p>			<p>M12 RECEPTACLE.90 DEG ANGLED FIELD INSTALLABLE, SHIELDED CONNECTOR, SCREW TERMINALS, D-CODING</p>
PRODUCT SPEC 108-19483	APPLICATION SPEC 114-32127	WEIGHT GEWICHT	RESTRICTED TO MUR FUER
SIZE A2	CAGE CODE 00779	DRAWING NO. ZEICHNUNGS-NR. C-2271133	SCALE MASSSTAB 2:1
Customer Drawing	/KUNDENZEICHNUNG	SHEET BLATT 1 OF 1	REV A2

SIZE ISO 14405 (E)