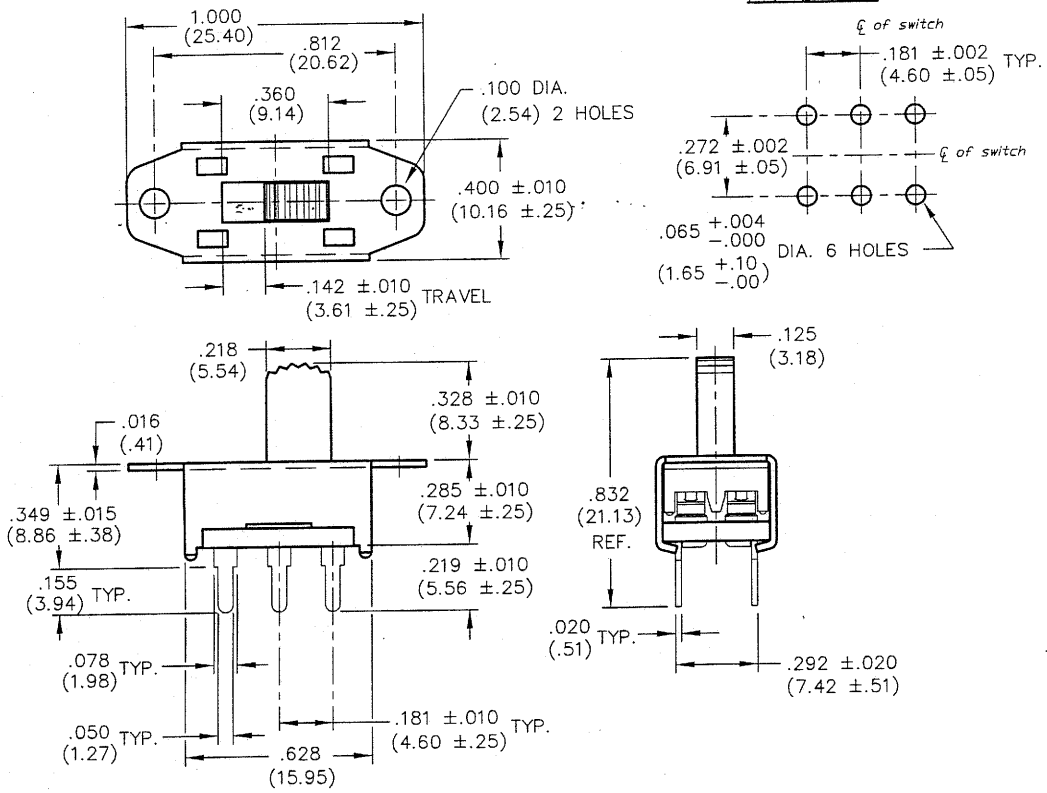


DIMENSIONS IN INCHES (MILLIMETERS)
DO NOT SCALE DRAWING

Dwg. No.
GF-126-0127

E
D
C
B
A

P.C. LAYOUT



1 2 3 4 5 6 7 8 9 10

B-FORMAT 2002
REVISIONS
 1
 REDRAWN WITH NEW FORMAT:
 DGW 12-01-2005
DEC 20 2005

cw INDUSTRIES
 Southampton, Pa. 18966

TOLERANCES UNLESS OTHERWISE SPECIFIED
 2 Place Decimal ±.010 METRIC
 3 Place Decimal ±.005 1 Place Dec. ±.25mm
 Angles ±1' 2 Place Dec. ±.13mm

Title:
SWIDGET ASSEMBLY

Made for: CW IND.
 Drawn by: DGW 12-01-2005
 Checked by: *G. Guld 12-20-05*
 Approval: *[Signature] 12-20-05*

Division: **SWITCH**
 Dwg. No.
GF-126-0127

PDF FILE MADE