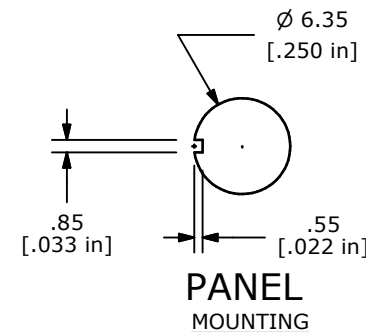
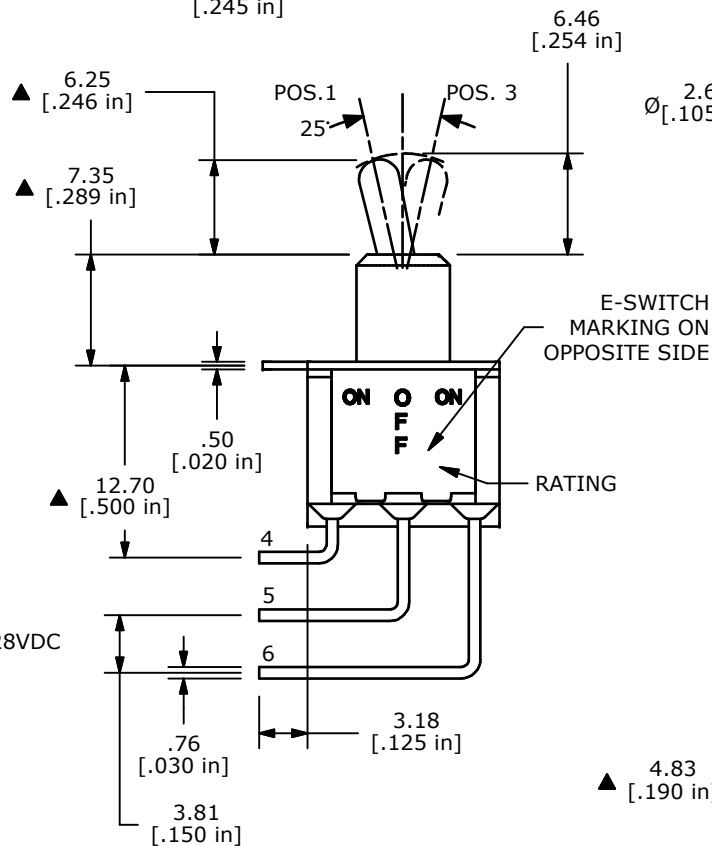
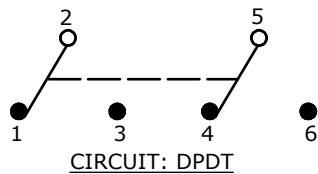


ISOMETRIC

SWITCH FUNCTION		
POS. 1	POS. 2	POS. 3
ON	OFF	ON
2-3, 5-6	OPEN	2-1, 5-4



- NOTE:
1. ALL DIMENSIONS IN MM [INCH]
  2. GENERAL TOLERANCE: X.X=±0.4  
X.XX=±0.25
  3. TERMINAL NUMBERS FOR REF ONLY
  - ▲ 4. PLATING MATERIAL: SILVER
  5. RATING: 5 AMPS W/RESISTIVE LOAD @ 120VAC OR 28VDC
  6. CONTACT RESISTANCE: 10 Milli-OHMS MAX.
  7. LIFE EXPECTANCY: 40,000 make-and-break cycles at full load.
  8. INSULATION RESISTANCE: 1,000 Mega-OHMS MIN.
  9. DIELECTRIC STRENGTH: 1,000 V RMS @sea level.
  10. OPERATING TEMP.: -30°C to 85°C
  11. ▲ DENOTES CRITICAL PARAMETER.
  12. 2002/95/EC (ROHS) COMPLIANT



TITLE 100DP3T2B4M7RE

A	18983	Release For Production	4/1/10	BLR
REV	PCR NO	DESCRIPTION	DATE	BY

SCALE	DATE	DR	DWG	REV
2:1	4/1/2010	BLR	T123041	A

THE INFORMATION CONTAINED IN THIS DOCUMENT IS PROPRIETARY TO E-SWITCH AND IS NOT TO BE COPIED OR TRANSFERRED